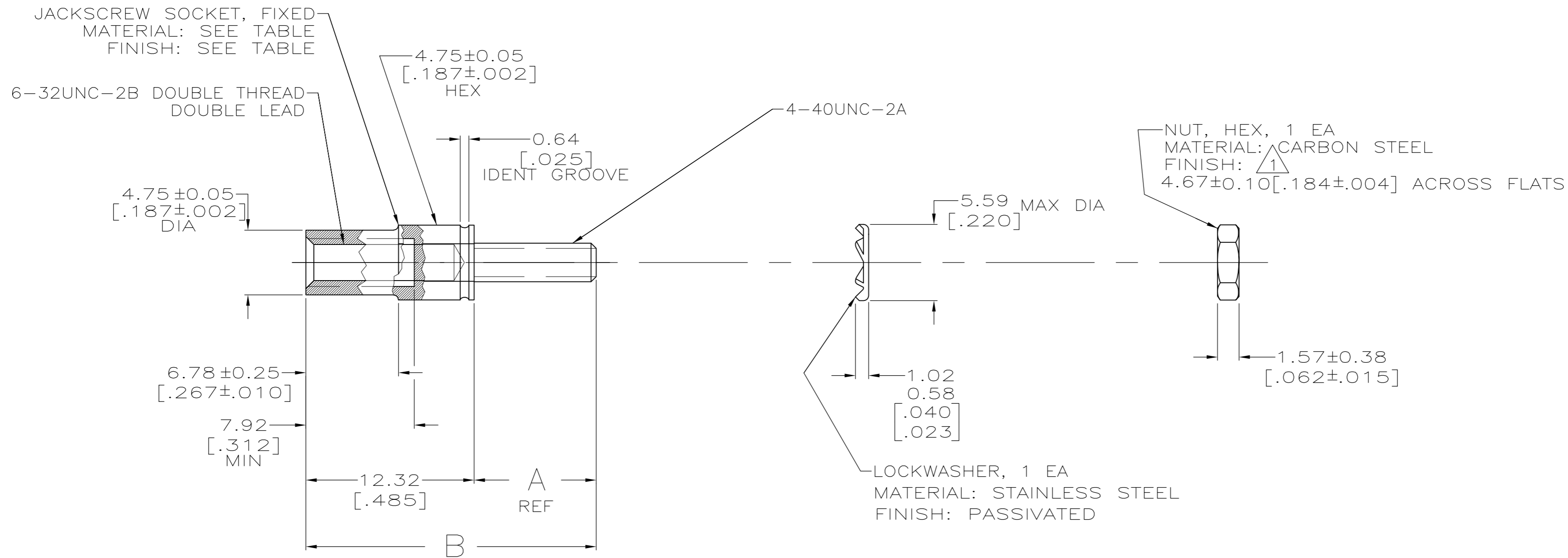


THIS DRAWING IS UNPUBLISHED. RELEASED FOR PUBLICATION
 © COPYRIGHT - By - ALL RIGHTS RESERVED.

LOC		DIST		REVISIONS			
P	LTR	DESCRIPTION		DATE	DWN	APVD	
FT	0	AD3		REVISED PER ECO-11-004917	11MAR11	RK	HMR



	24.43 [.962]	12.06 [.475]	-	STAINLESS STEEL	200875-8	
	21.13-21.51 [.832-.847]	8.89 [.350]	-	STAINLESS STEEL	200875-7	
2	SUPERSEDED	24.43 [.962]	12.06 [.475]	-	STAINLESS STEEL	200875-3
	SUPERCEDED TO 200875-1	21.13-21.51 [.832-.847]	8.89 [.350]	ZINC PLATED	CARBON STEEL	200875-2
	SUPERCEDED TO 200875-7	21.13-21.51 [.832-.847]	8.89 [.350]	-	STAINLESS STEEL	200875-1
	B	A	JACKSCREW SOCKET FINISH	JACKSCREW SOCKET MATERIAL	PART NUMBER	

- 1 ZINC PLATE
- 2 OBSOLETE PARTS: OBSOLETE CIS STREAMLINING PER D.RENAUD/D.SINISI

THIS DRAWING IS A CONTROLLED DOCUMENT.

DWN	K.FOLTZ	05/25/94
CHK	R.STONE	06/16/94
APVD	-	-
PRODUCT SPEC	-	-
APPLICATION SPEC	-	-
WEIGHT	-	-
CUSTOMER DRAWING	SCALE 4:1	SHEET 1 OF 1

TE Connectivity
JACKSCREW KIT, UNASSEMBLED, FIXED, M SERIES

SIZE	A2	CAGE CODE	00779	DRAWING NO	C=200875	RESTRICTED TO	-
REV	AD3	SCALE 4:1		SHEET 1 OF 1	REV	AD3	