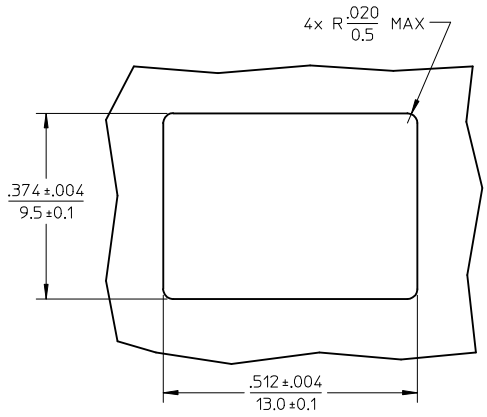
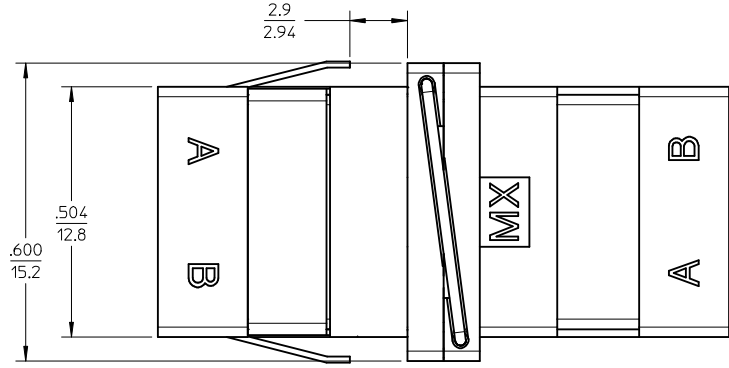
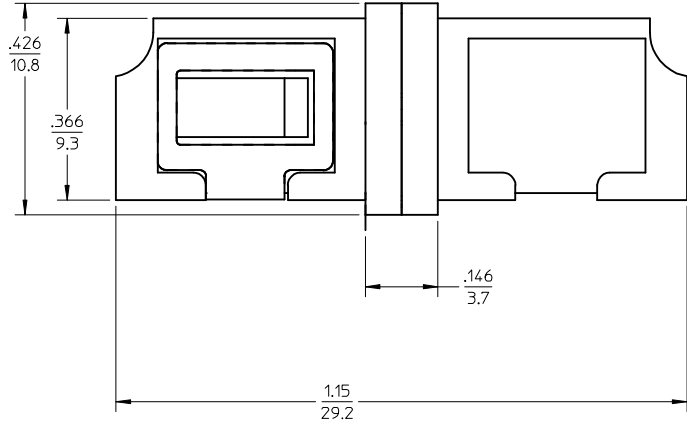
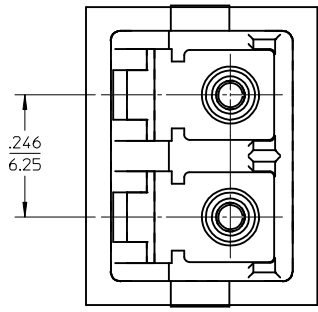
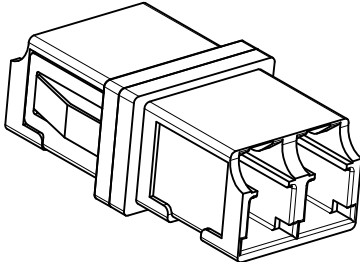


10 9 8 7 6 5 4 3 2 1



RECOMMENDED PANEL CUTOUT



- NOTES:
1. ALL DIMENSIONS ARE FOR REFERENCE ONLY.
 2. PART IS DIECAST.
 3. DUST CAPS NOT SHOWN.
 4. ADAPTER IS PACKED IN TRAY.

ENTER DESCRIPTION EC NO: MF2010-0005 DRW: KPEVZNER 2009/07/17 CHKD: 2009/07/22 APPR: LGUMIN 2009/07/23 A1	QUALITY SYMBOLS ▽=0 ▽=0	GENERAL TOLERANCES (UNLESS SPECIFIED)		DIMENSION STYLE IN/MM		SCALE 4:1	DESIGN UNITS INCH	THIRD ANGLE PROJECTION
		4 PLACES ± --- ± --- 3 PLACES ± --- ± --- 2 PLACES ± --- ± --- 1 PLACE ± --- ± ---	mm INCH	DRAWN BY PGIBLIN	DATE 2005/10/03	TITLE LC-D EMI ADAPTER W/O GASKET, ZR, METAL		
		ANGULAR ±1/2°		APPROVED BY	DATE	MOLEX INCORPORATED		
		DRAFT WHERE APPLICABLE MUST REMAIN WITHIN DIMENSIONS		MATERIAL NO. 1061152130	DOCUMENT NO. SD-106115-2130	SHEET NO. 1 OF 1		

THIS DRAWING CONTAINS INFORMATION THAT IS PROPRIETARY TO MOLEX INCORPORATED AND SHOULD NOT BE USED WITHOUT WRITTEN PERMISSION

9 8 7 6 5 4 3 2 1