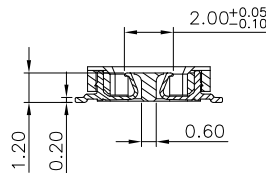
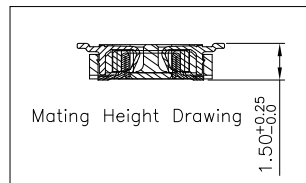


Compliance with:  
 PCIe4.0(GT/S),  
 USB4 Gen3(40Gbps),  
 USB3.2 Gen2(10Gbps).  
 Mating with:  
 "BAAD-020G1120NOLI-B"



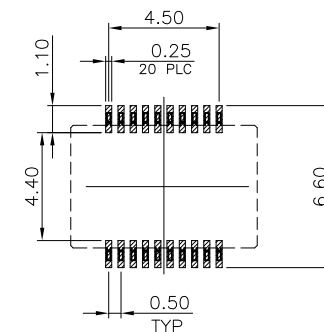
A-A



REV.	DESCRIPTION	DATE
A	New Drawing	2016/04/26

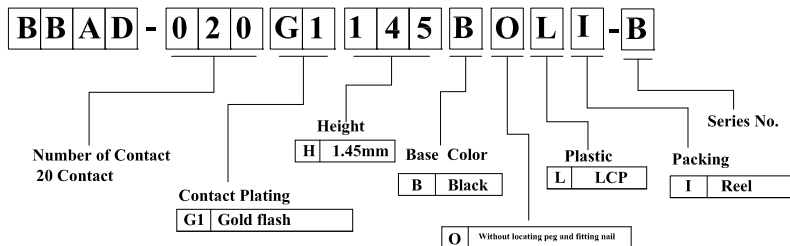
LTR	Part Name	Material	Description	QTY
1	Housing	LCP UL94V-0	260°C for 10 Seconds. Initial : 1000M Ohms Min.	1
2	Contact	Bronze C5191	Current Rating : 0.5 A Initial : 30m Ohms Max.	20

Temperature Rating : -40°C ~ +105°C .  
 Dielectric Withstanding Voltage : 300 V AC/Min



▨ : STAND OFF AREA

**P.C.B LAYOUT**

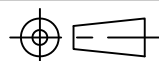


RoHS compliant

**Superior Tech Co., Ltd.**

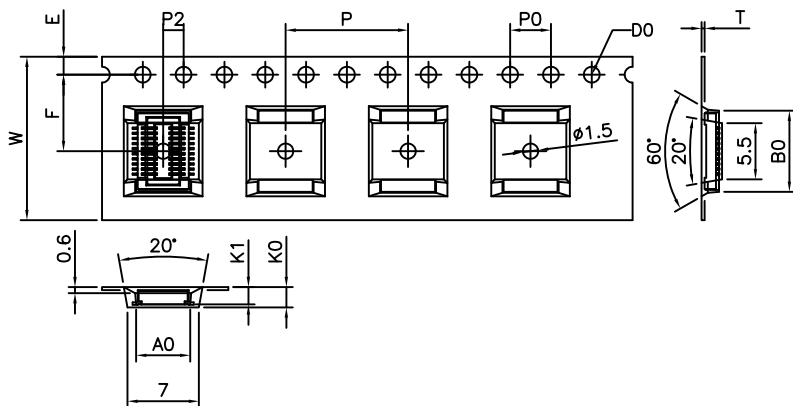
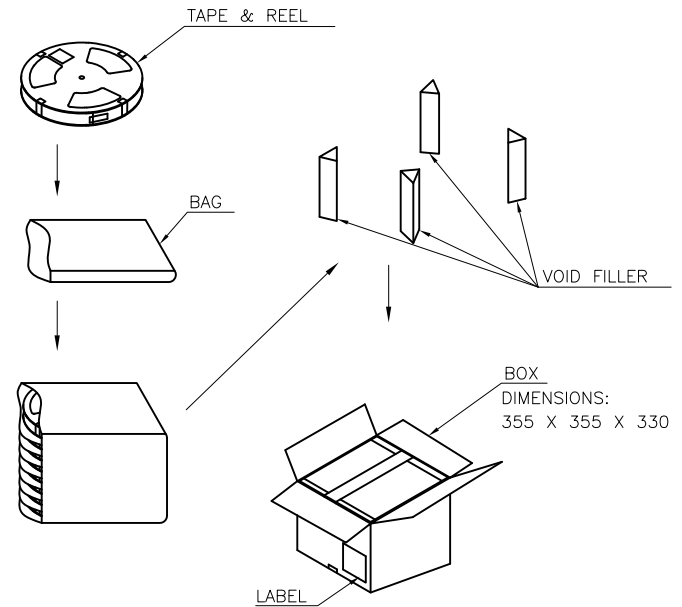
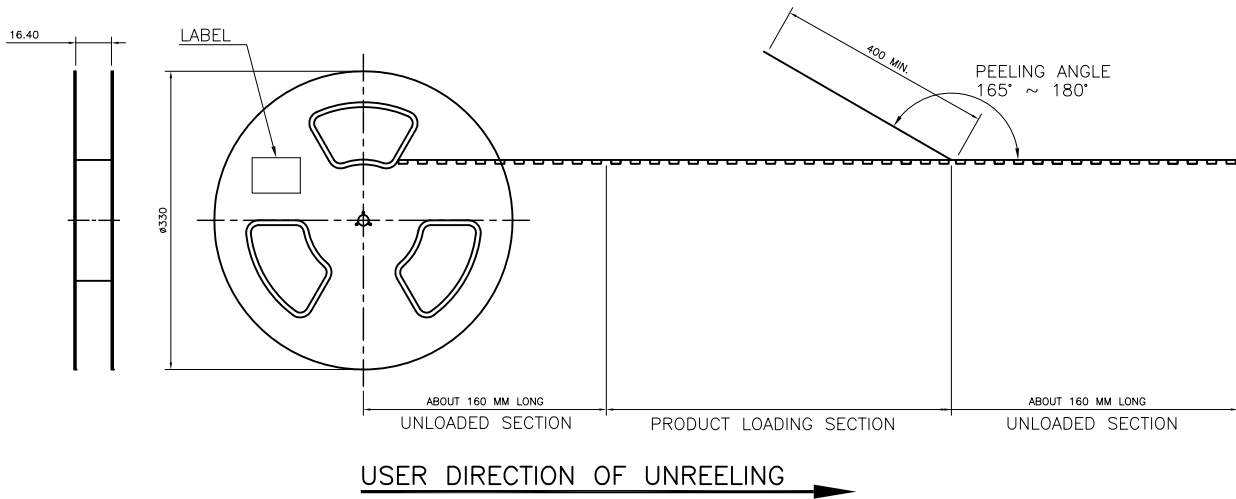
General Tolerance		TITLE	PH0.5 BTOB H1.45 20PIN Male	
X.	± 0.5	DRAWN Tom	DATE	NO.
.X	± 0.3		04-26-16'	002
.XX	± 0.2	CHECK	DATE	PART NO.
.XXX	± 0.1			BBAD-020G1145BOLI-B
Angle	± 5°	APPROVED	DATE	CUSTOMER NO. DK

REV.	UNIT	SCALE
A	mm	1:1



(Q2-R03-01A) ST-R05-07

REV.	DESCRIPTION	DATE
A	New Drawing	2013/12/09



Note:  
 1.All dimensions meet EIA-481-C requirements.  
 2.Thickness : 0.3±0.05mm

ITEM	W	A <sub>0</sub>	B <sub>0</sub>	K <sub>0</sub>	K <sub>1</sub>	P	T
DIM	16.0 <sup>+0.30</sup> <sub>-0.30</sub>	5.3±0.1	7.95±0.1	2.0±0.1	1.7±0.1	12.0±0.1	0.30±0.05
ITEM	F	E	D <sub>0</sub>	D <sub>1</sub>	P <sub>0</sub>	P <sub>2</sub>	
DIM	7.5±0.05	1.75±0.1	1.50 <sup>+0.10</sup> <sub>-0.00</sub>	0.00 <sup>+0.00</sup> <sub>-0.00</sub>	4.00±0.1	2.00±0.1	

PIN No.	PCS/R	R/CTN
20PIN	2500 PCS	14 R

**Superior Tech Co., Ltd.**

General Tolerance		TITLE		BBAD-020G1145NOLI-B- Packing	
X. ± 0.5		DRAWN	Tom	DATE	NO.
.X ± 0.3				2013/12/09	002
.XX ± 0.2		CHECK		DATE	PART NO.
.XXX ± 0.1					BBAD-020G1145BOLI-B
REV.	UNIT	SCALE	APPROVED	DATE	CUSTOMER NO.
A	mm	1:1			

(Q2-R03-01A) ST-R05-07