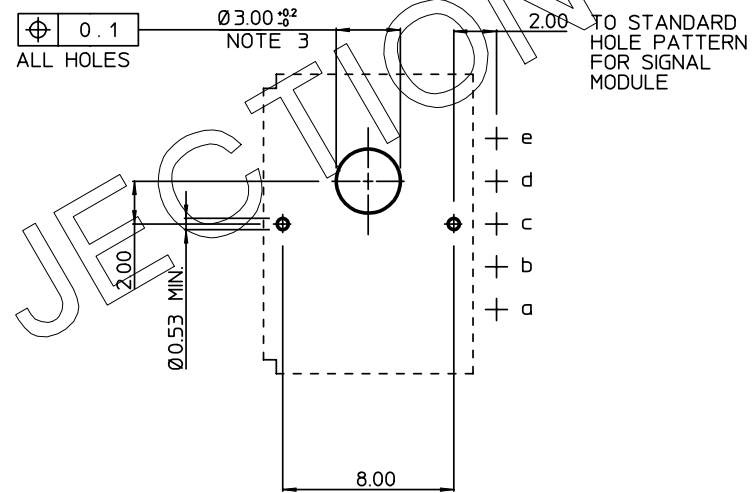
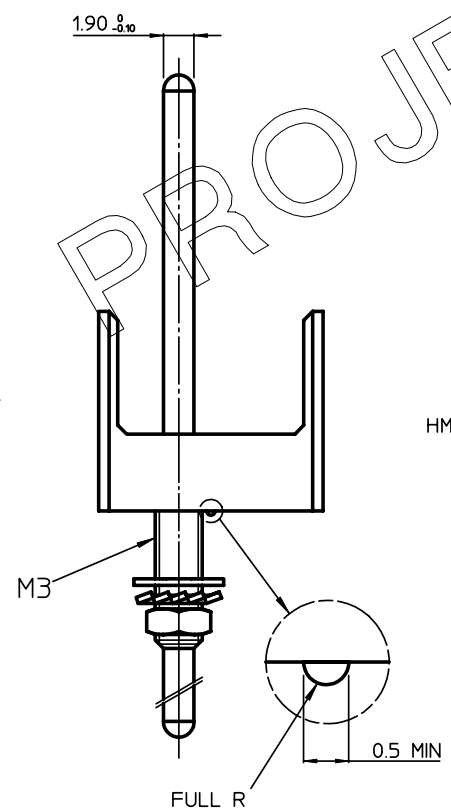
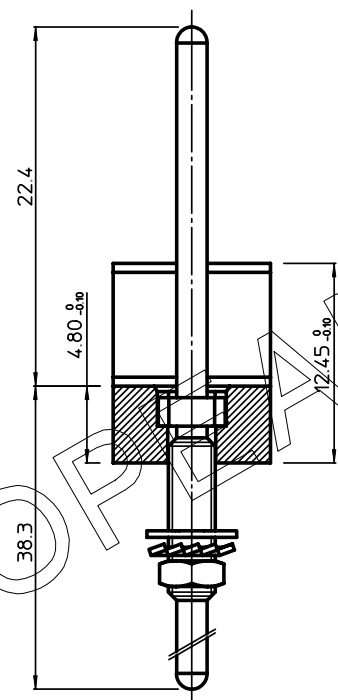
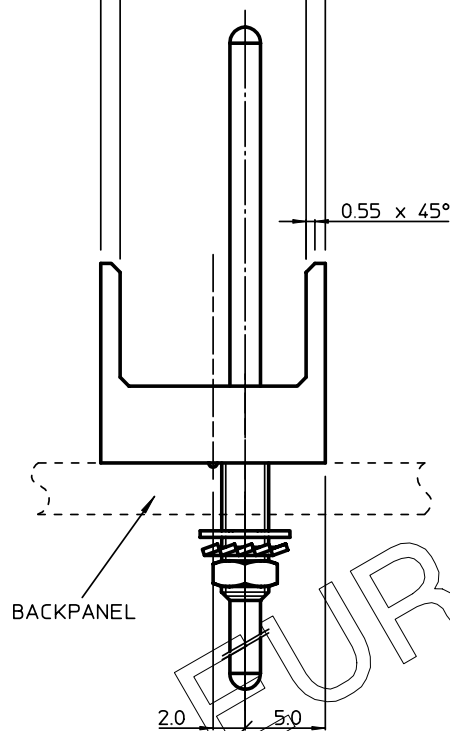
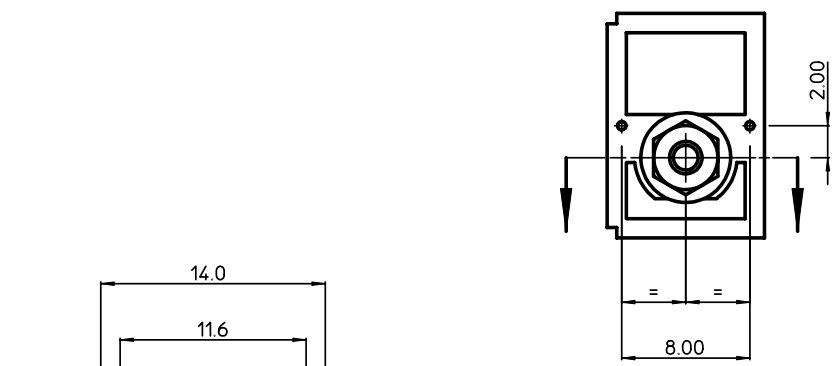


GEN. ST.	01	02	03	04	05	06	07	08	0D	50	60	70	80	90																	
INT. ST.	10	11	12	13	14	18	20	31	32	33	34	38	39	40	42	43	44	45	46	48	56	70	72	73	75	76	81	82	83	84	88

REV.	DATE	DESCRIPTION	BY	C'K'D'
A	2001-09-14	CONVERSION REVISION 00	KN	
B	2006-08-21	106-0161	ALEX B	BKP

BACKPANEL HOLE LAY-OUT  
COMPONENT SIDE



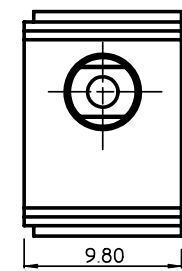
LEAD FREE INDICATOR : LF = LEAD FREE

HM2G07

Cat No	Plating Details
HM2G07	3-5µ SnPb (90/10) OVER 3µ Ni MIN.
HM2G07LF	3-5µ Sn (Matt Tin) OVER 3µ Ni MIN.

NOTES

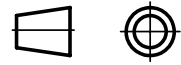
1. MATERIAL HOUSING : GLASS FILLED POLYMER.
2. MATERIAL GUIDE PIN : 1/2 HARD BRAS.
3. PLATED THRU HOLE FOR BRASS APPLICATION ONLY.
4. THE PRODUCT (LF) MEETS EUROPEAN UNION DIRECTIVES AND OTHER COUNTRY REGULATIONS AS DESCRIBED IN GS-22-008



1DEC ±0.2 2DEC ±0.1 ANGLES ±1°	<b>APPR.</b>	<b>DATE</b>	<b>SIGN.</b>	MILLIPACS 2 / GUIDING SYSTEM (for backpanel)
WE RESERVE THE RIGHT TO CHANGE DIMENSIONS OR REQUIREMENTS WITHOUT PRIOR NOTICE.	DRAFT	1999-10-14	G.Nys	<b>CAT. No.</b> HM2G07(--)
ALL DIMENSIONS IN MM	CHECKED			<b>FCJ</b> www.fciconnect.com
	PR. ENG. MGR.			SCALE 3/1
	PR. MGT. MGR.			REFERENCES

THIS IS OUR EXCLUSIVE PROPERTY. IT IS NOT TO BE COPIED, REPRINTED OR DISCLOSED TO A THIRD PARTY, NOR USED FOR MANUFACTURING WITHOUT OUR WRITTEN CONSENT, AND HAS TO BE RETURNED TO US IN CASE OF NO USAGE

DIT IS ONZE EIGENDOM EN MAG NIET NAGEMAAKT, HERDRUKT, OVERGEMAAKT AAN DERDEN, NOCH VOOR FABRIKATIE GEBRUIKT WORDEN, ZONDER ONZE SCHRIFTELIJKE TOELATING. BIJ NIET GEBRUIK IS TERUGZENDING VERPLICHT.



PDM: Rev:B

STATUS: Released  
DRAWING No: BS,C ,201911,013  
CUSTOMER DRAWING REVISION: B  
Printed: Dec 02, 2007