

PART NAME: KNOB      SCALE: 1:1      DATE: 4/7/87      DR. BY HD

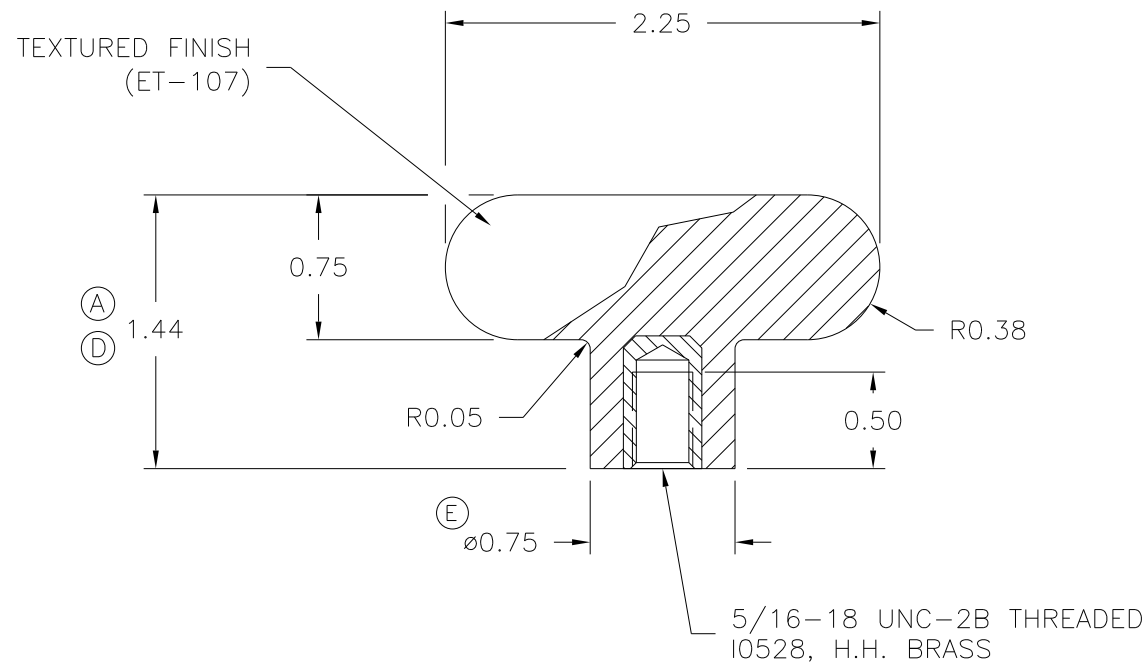
THIS DRAWING IS THE PROPERTY OF DAVIES MOLDING COMPANY, IS SUBMITTED SOLELY AS A DESIGN OR ENGINEERING PROJECT. WE ACCEPT NO RESPONSIBILITY WHATSOEVER FOR THE PRACTICAL APPLICATION OF THE PIECES MADE TO THIS DESIGN.



P/N	3081-A
M <sup>NO.</sup>	23
CAVITY	3081
CORE	3081
SLEEVE	3081
PIN	3081-A
INSERT	10528

(B)

M <sup>NO.</sup>	2980
CAVITY	3081
CORE	3081
SLEEVE	3081
PIN	3081-A
INSERT	10528



MATERIAL: POLYPROPYLENE (CLD) (C)  
 COLOR: BLACK

TOLERANCES: UNLESS OTHERWISE SPECIFIED	DO NOT SCALE DRAWING
DECIMALS: X.XXX ± .005 X.XX ± .015	MM: X.XX ± 0.15MM X.X ± 0.4MM
FRACTIONS ± 1/64	ANG. ± 1°

E	WAS 0.77	JAM	11/17/14
D	1.42 WAS 1.44	JAM	8/6/07
C	ADDED MAT. CODE	DS	1/24/07
B	ADDED 2980 FRAME SET-UP	JAM	8/20/04
-	RE-DID REDRAW	TL	11/11/99
A	1.44 WAS 1.38	HD	7/5/96
-	CAD REDRAW	HD	11/2/92

CHANGES