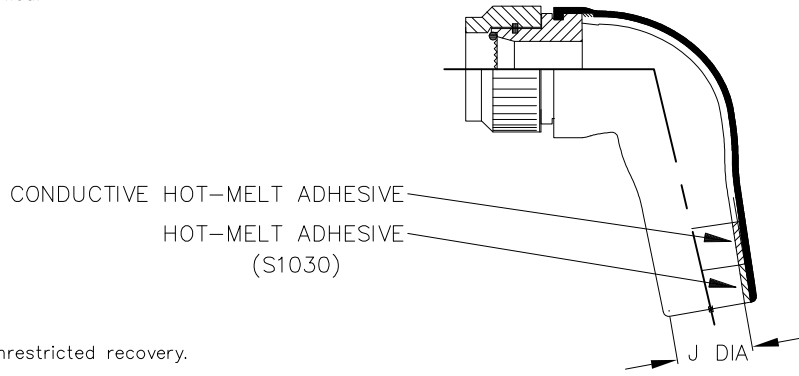


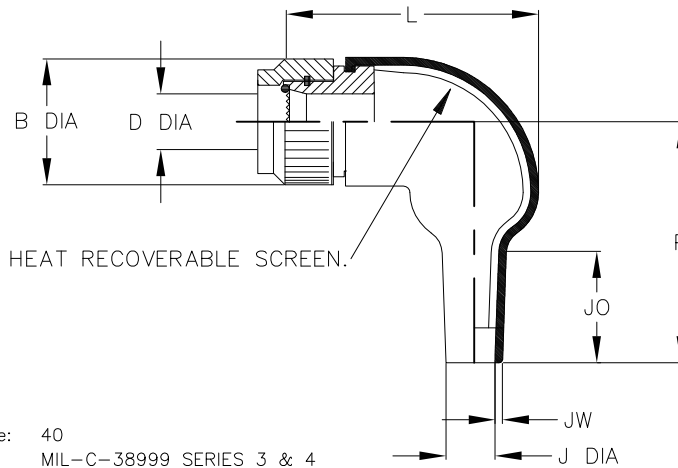
REVISIONS

| P | LTR | DESCRIPTION | DATE | DWN | APVD |
|---|-----|-------------------------------|-----------|-----|------|
| | 5 | RELEASED AS PER ECO-17-009529 | 03JUL2017 | KH | MP |

a) Part as supplied.



b) Part after unrestricted recovery.



NOTES:

- Raychem Connector Code: 40
- Connector Series: MIL-C-38999 SERIES 3 & 4
- Adaptor Series: 208M7**-19-B**-K-NS (Olive Drab)
- Aluminium Alloy to BS1474 HE30TF, FC1 or 6262
- Cadmium per QQ-P-416, Type II, Class 3
- Over appropriate under plate,
- Per MIL-C-85049 (500 hour salt spray)
- Moulded Part Material: -25C (Black); Elastomer/Silver Composites, Fluid Resistant
- Kits to include cleaning tissue, 1 piece 100 grit emery cloth & packing piece.
- Kit to be used in conjunction with installation guide for 90 & 45 deg. assemblies.

Dimensions in mm [inches for reference]

| Part No. | Shell Size | B DIA MAX | D DIA MIN | J | | P ±10% b | L ±10% b | JO REF b | JW ±30% b |
|----------|------------|-------------|-------------|-----------|------------|-----------|-----------|-----------|-----------|
| | | | | MIN a | MAX b | | | | |
| KTKK1131 | B | 21.7 [.85] | 9.3 [.37] | 13 [.51] | 6.0 [.24] | 38 [1.50] | 40 [1.57] | 17 [.67] | 1.0 [.04] |
| KTKK1132 | C | 25.5 [1.00] | 12.9 [.51] | 15 [.59] | 7.2 [.28] | 42 [1.65] | 43 [1.69] | 18 [.71] | 1.0 [.04] |
| KTKK1133 | D | 29.3 [1.15] | 14.1 [.56] | 15 [.59] | 7.2 [.28] | 42 [1.65] | 43 [1.69] | 18 [.71] | 1.0 [.04] |
| KTKK1134 | E | 31.9 [1.26] | 18.8 [.74] | 19 [.74] | 8.5 [.33] | 51 [2.01] | 50 [1.97] | 20 [.79] | 1.0 [.04] |
| KTKK1135 | F | 35.7 [1.41] | 18.8 [.74] | 19 [.74] | 8.5 [.33] | 51 [2.01] | 50 [1.97] | 20 [.79] | 1.0 [.04] |
| KTKK1136 | G | 38.2 [1.50] | 23.6 [.93] | 24 [.94] | 10.0 [.39] | 67 [2.64] | 57 [2.24] | 28 [1.10] | 1.5 [.06] |
| KTKK1137 | H | 42.0 [1.65] | 23.6 [.93] | 24 [.94] | 10.0 [.39] | 67 [2.64] | 57 [2.24] | 28 [1.10] | 1.5 [.06] |
| KTKK1138 | J | 44.6 [1.76] | 30.9 [1.22] | 33 [1.30] | 15.8 [.62] | 80 [3.15] | 66 [2.60] | 31 [1.22] | 1.5 [.06] |

THIS DRAWING IS UNPUBLISHED. COPYRIGHT 2016 By TE Connectivity

| | | | |
|--|------------------------------|--------------------------|---------------------|
| DIMENSIONS: mm [INCHES] | DWN K. HOLAL 14OCT2016 | MATERIAL SEE NOTES | FINISH SEE NOTES |
| | CHK N. NAGAR 14OCT2016 | | |
| TOLERANCES UNLESS OTHERWISE SPECIFIED: | APVD M. POPE 14OCT2016 | | |
| 0 PLC ± - | PRODUCT SPEC | NAME ADAPTOR ASSEMBLY | |
| 1 PLC ± - | — | — | |
| 2 PLC ± - | APPLICATION SPEC | — | |
| 3 PLC ± - | — | SIZE | RESTRICTED TO |
| 4 PLC ± - | — | CAGE CODE | — |
| ANGLES ± - | — | DRAWING NO | |
| | WEIGHT | A4 00779 C-KTKK1131-1138 | |
| | CUSTOMER DRAWING | SCALE DNS | SHEET 1 OF 1 |
| | | REV 5 | |