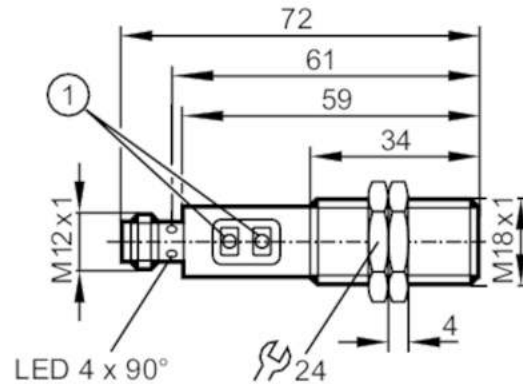


OGT300



Diffuse reflection sensor

OGT-FPKG/US100



1 programming buttons



Product characteristics

Type of light	red light
Housing	threaded type

Application

Function principle	Diffuse reflection sensor
--------------------	---------------------------

Electrical data

Operating voltage	[V]	10...36 DC
Current consumption	[mA]	25
Protection class		II
Reverse polarity protection		yes
Type of light		red light

Outputs

Electrical design		PNP
Output function		light-on/dark-on mode; (programmable)
Max. voltage drop switching output DC	[V]	2.5
Permanent current rating of switching output DC	[mA]	150; (200 (...60 °C))
Switching frequency DC	[Hz]	2000
Short-circuit protection		yes
Type of short-circuit protection		pulsed
Overload protection		yes

Detection zone

Range	[mm]	2...800; (white paper 200 x 200 mm 90% remission)
Factory setting		light-on mode
Range adjustable		yes
Max. light spot diameter	[mm]	66
Light spot dimensions refer to		at maximum range
Monitoring range final value	[mm]	150...800

OGT300



Diffuse reflection sensor

OGT-FPKG/US100

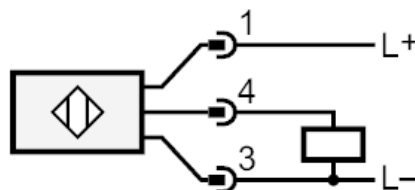
Operating conditions		
Ambient temperature	[°C]	-25...80
Protection		IP 65; IP 67; IP 68; IP 69K
Tests / approvals		
EMC		EN 60947-5-2
MTTF	[years]	473
Mechanical data		
Weight	[g]	60.9
Housing		threaded type
Dimensions	[mm]	M18 x 1 / L = 72
Thread designation		M18 x 1
Materials		stainless steel (1.4404 / 316L); PA; LCP; EPDM; TPU
Lens material		PMMA
Displays / operating elements		
Display	switching status	1 x LED, yellow
Teach function		yes
Electronic lock		yes
Accessories		
Items supplied		lock nuts: 2 x
Remarks		
Remarks		operating voltage "supply class 2" according to cULus
Pack quantity		1 pcs.

Electrical connection

Connector: 1 x M12; coding: A



Connection



OGT300



Diffuse reflection sensor

OGT-FPKG/US100

Diagrams and graphs

excess gain graph

