

6

5

4

3

2

1

APPROVED: _____
DATE: _____ TITLE: _____

Rev	AWO #	Description	Date	Appr
-		RELEASED	11/27/18	

D

D

C

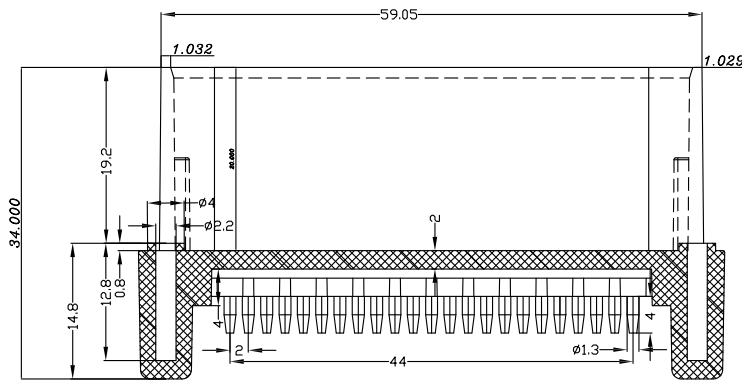
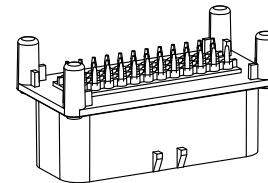
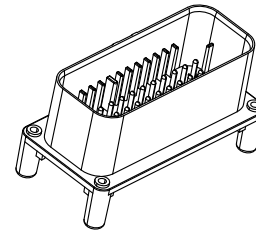
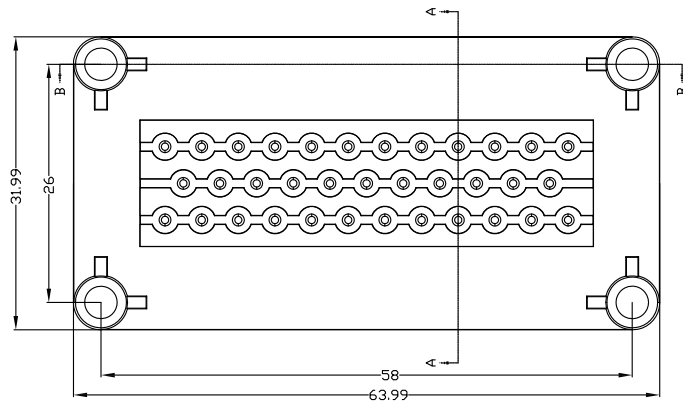
C

B

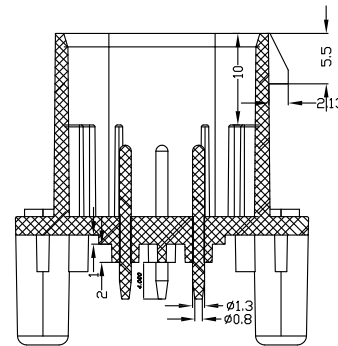
B

A

A



SECTION B-B



SECTION A-A

UNLESS OTHERWISE SPECIFIED ALL DIMENSIONS ARE MILLIMETERS TOLERANCES: EXCEPT AS NOTED MM ANGLE 0.5~6 ± 0.05 ± 1° 6~30 ± 0.10 30~120 ± 0.15		ADAM TECH INTERCONNECTS		909 Rahway Avenue, Union, NJ 07083 Phone: 908-687-5000 Fax: 908-687-5710	
APPROVALS		DATE		TITLE	
DRAWN	AY	11/27/18		35P, AUTOMOBILE, 1.35*16.8 PIN	
CHECKED	AC	11/27/18		SIZE	PART NO.
APPROVED				X	ADT-AMYX7762311
		REF:	S00111C	SCALE:	NTS
				SHEET 1 OF 1	

SPECIFICATIONS:
Environmental:
Lead free, RoHS compliant



6

5

4

3

2

1