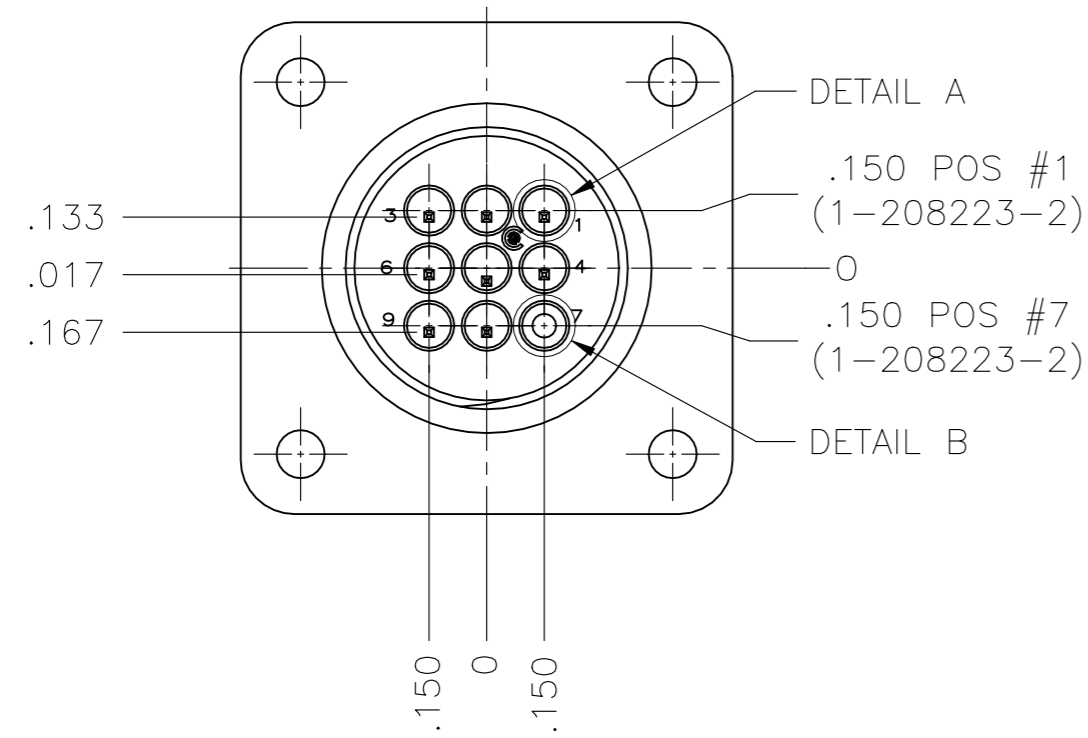
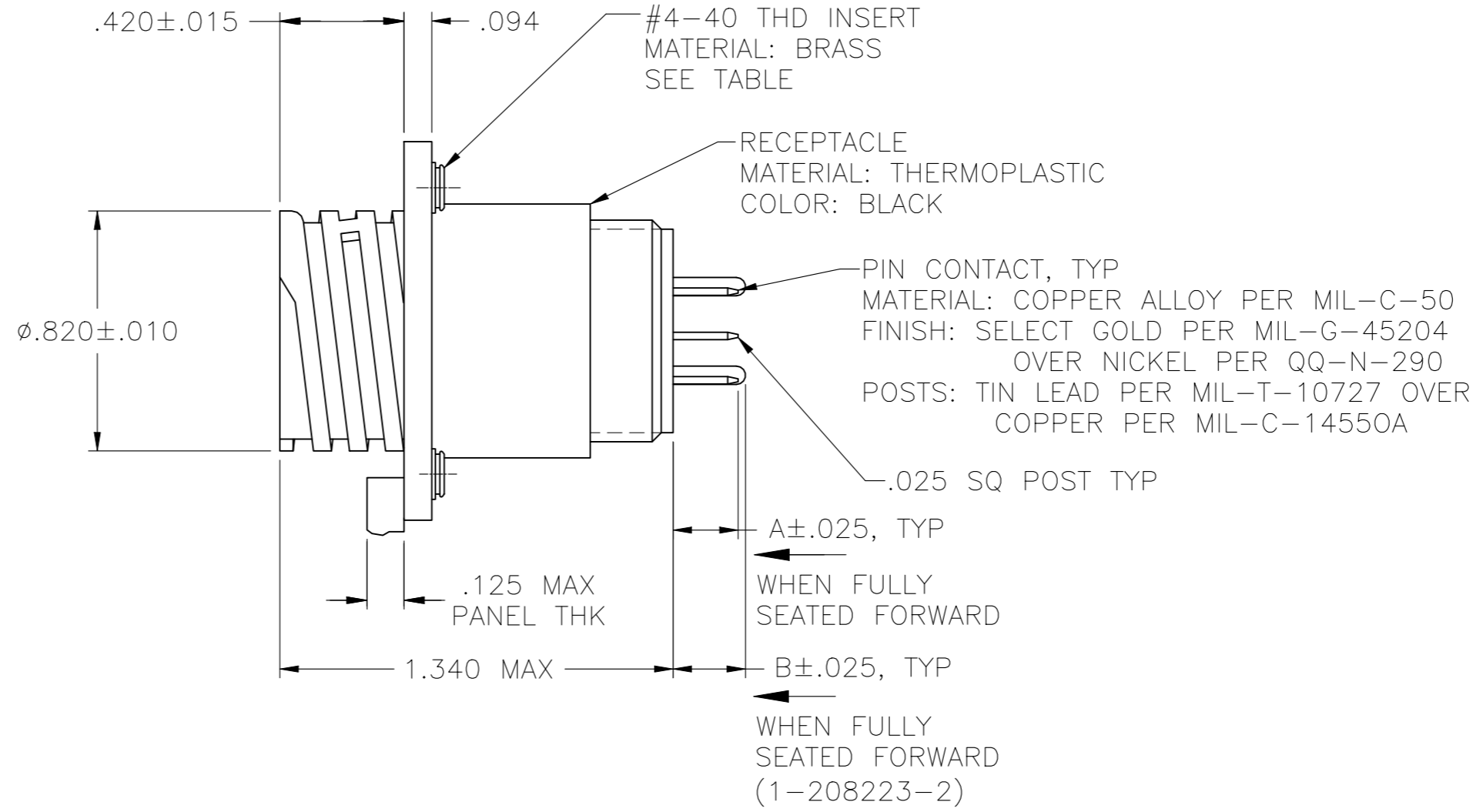
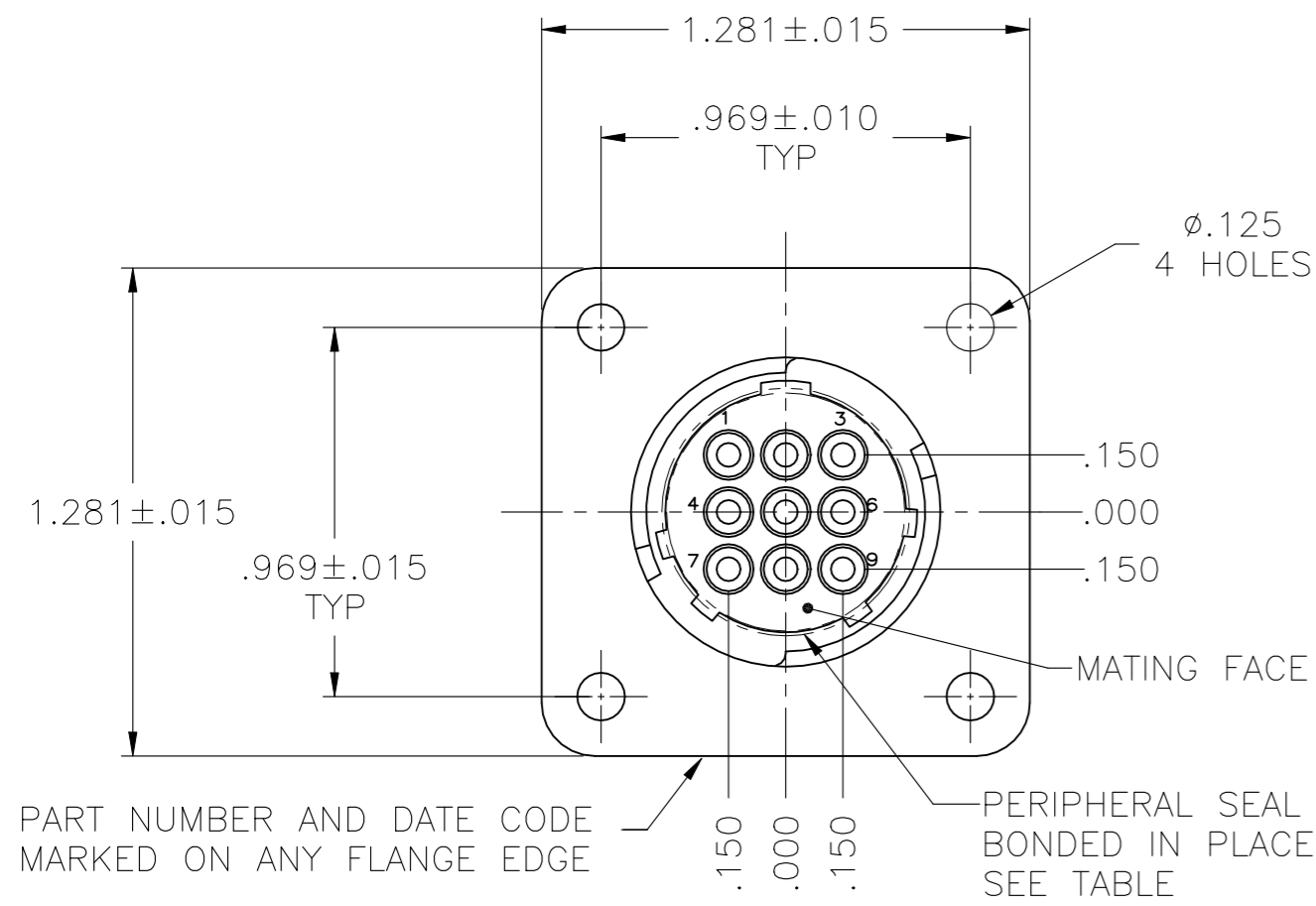
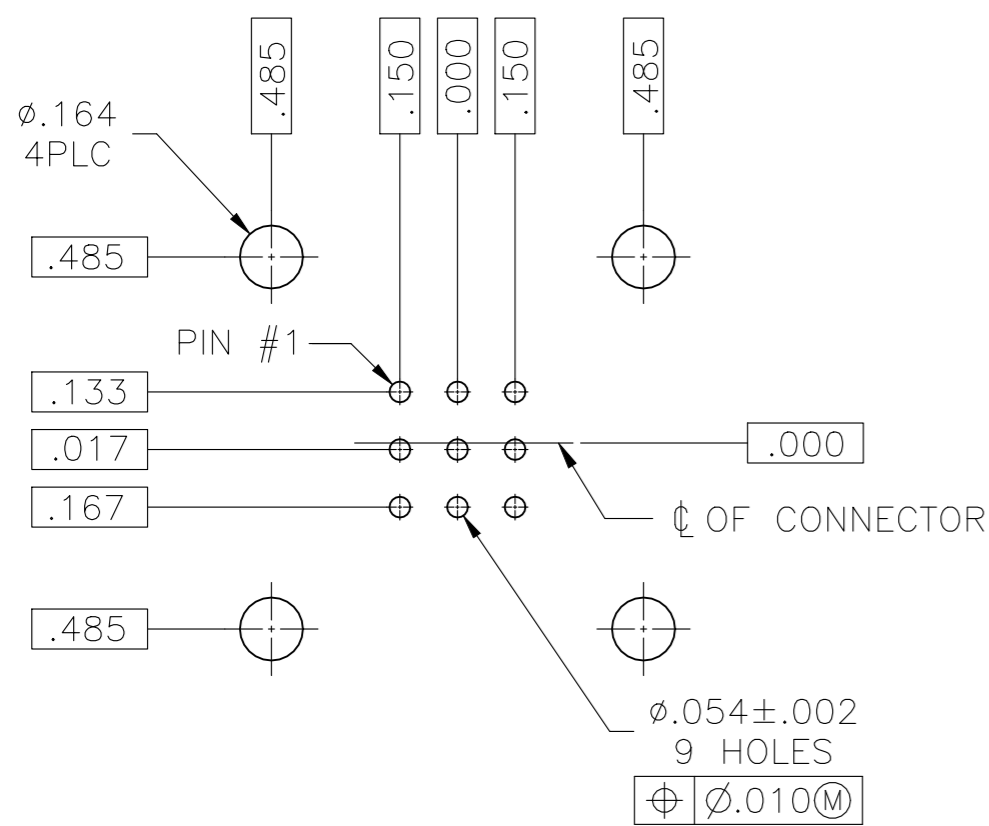


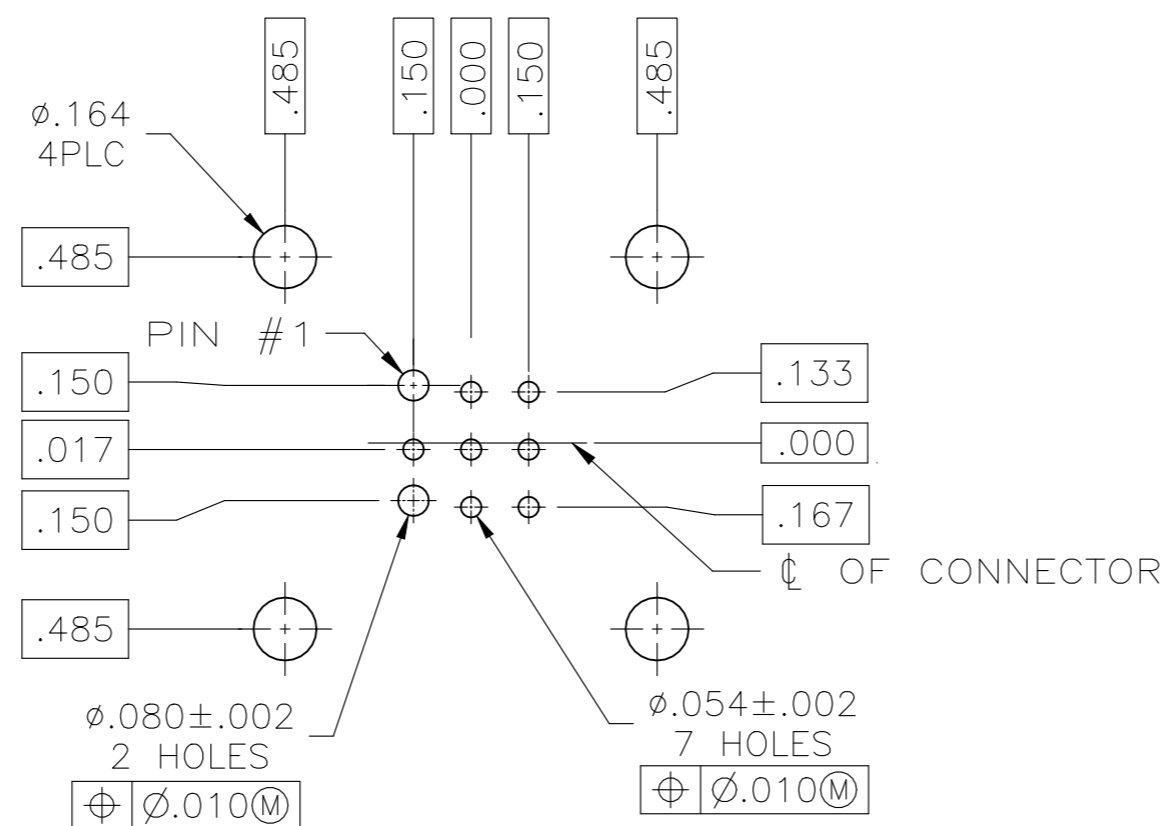
REVISIONS					
P	LTR	DESCRIPTION	DATE	DWN	APVD
V1		REVISED PER ECR-22-150475	26AUG2022	RK	MZ



- 1 1-66460-0 WILL BE SELECTIVELY LOADED INTO POSITIONS 2, 4, 6, 7, 9 AND 66464-3 WILL BE LOADED INTO POSITIONS 1, 3, 5, 8 OF THE HOUSING.
- 2 LOAD ALL POSITIONS EXCEPT POSITION NUMBER 4.
- 3 TIN PLATED CONTACTS.
- 4 194264-1 LOADED INTO POSITIONS 1 & 7.
- 5 OBSOLETE PARTS



RECOMMENDED P.C. BOARD LAYOUT



RECOMMENDED P.C. BOARD LAYOUT (1-208223-2 ONLY)

4	OBSOLETE		.130	YES	YES	1-208223-3	
	OBSOLETE		.245	NO	YES	1-208223-2	
		3		.220	YES	YES	1-208223-1
		3		.220	NO	YES	1-208223-0
		3		.220	NO	NO	208223-9
	OBSOLETE		.220	YES	NO	208223-8	
2	OBSOLETE		.220	NO	NO	208223-7	
	OBSOLETE		.618	NO	YES	208223-6	
5	OBSOLETE		.220	YES	YES	208223-5	
1	OBSOLETE		.220	NO	NO	208223-4	
	OBSOLETE		.220	NO	YES	208223-3	
	OBSOLETE		.429	NO	NO	208223-2	
	OBSOLETE		.220	NO	NO	208223-1	

THIS DRAWING IS A CONTROLLED DOCUMENT.

DIMENSIONS: INCHES	TOLERANCES UNLESS OTHERWISE SPECIFIED:	DWN: R.LEE BG 6-22-91	CHK: W.G.LENKER 4-14-92	APVD: -	NAME: -
0 PLC ± -	1 PLC ± -	2 PLC ± -	3 PLC ± .005	4 PLC ANGLES ± ±	PRODUCT SPEC: 108-10024
MATERIAL: SEE CALLOUT	FINISH: SEE CALLOUT	WEIGHT: -	SCALE: A2	CAGE CODE: 00779	DRAWING NO: C=208223
CUSTOMER DRAWING			SCALE: 2:1	SHEET: 1 OF 1	REV: V1

RECEPTACLE ASSEMBLY, POSTED, STD SEX, SERIES 1, 13-9, CPC