
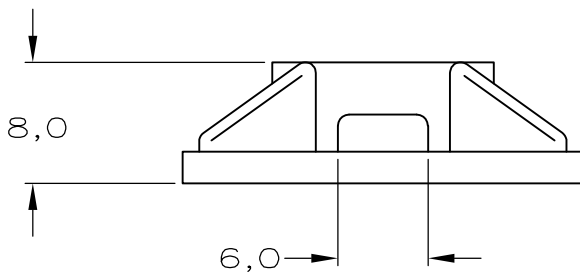
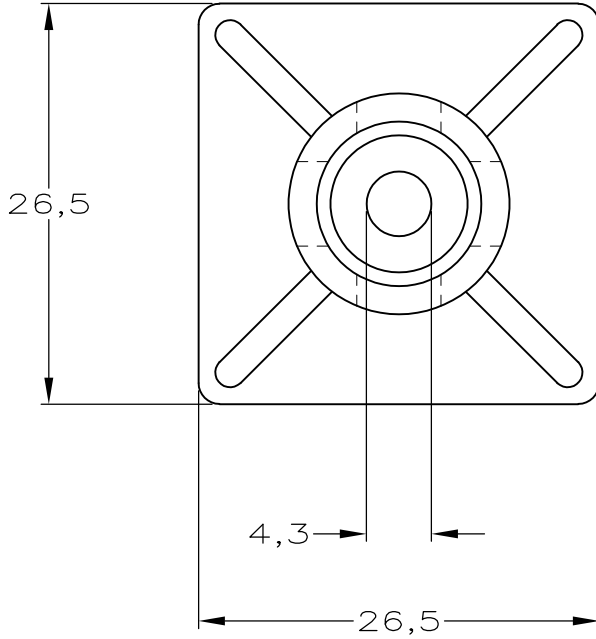
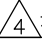


LOC	DIST	REVISIONS					
		P	LTR	DESCRIPTION	DATE	DWN	APVD
			0	H-9856	09-06-92	JvdH	RV
			01	ECR-10-026542	04JAN11	KK	HMR

NOTES:

- 1 MAX. CABLE TIE WIDTH 4,8.
- 2 TENSILE STRENGTH 415 kPa
- 3 APPL. TEMP. RANGE +10 - +38° C.
- 4  OBSOLETE




BLACK	POLYAMIDE 6/6	 2-100694-2	100
NATURAL	POLYAMIDE 6/6	2-100694-1	100
FINISH	MATERIAL	PARTNUMBER	QTY

RELEASED FOR PUBLICATION

ALL RIGHTS RESERVED.

THIS DRAWING IS UNPUBLISHED.

COPYRIGHT - By -

DIMENSIONS: mm	DWN	09-06-92	MATERIAL	-	FINISH	-			
	CHK	J.V.D.HEIJDEN.	 TE Connectivity						
TOLERANCES UNLESS OTHERWISE SPECIFIED:	APVD	R.VOS.							
0 PLC ± - 1 PLC ± - 2 PLC ± - 3 PLC ± - 4 PLC ± - ANGLES ± -	PRODUCT SPEC	L.V.SOEST.	NAME MOUNTING BASE.						
	APPLICATION SPEC	-							
	WEIGHT	-	SIZE	A4	CAGE CODE	00779	DRAWING NO	C-100694	RESTRICTED TO
CUSTOMER DRAWING			SCALE	-	SHEET	1 OF 1	REV	01	

