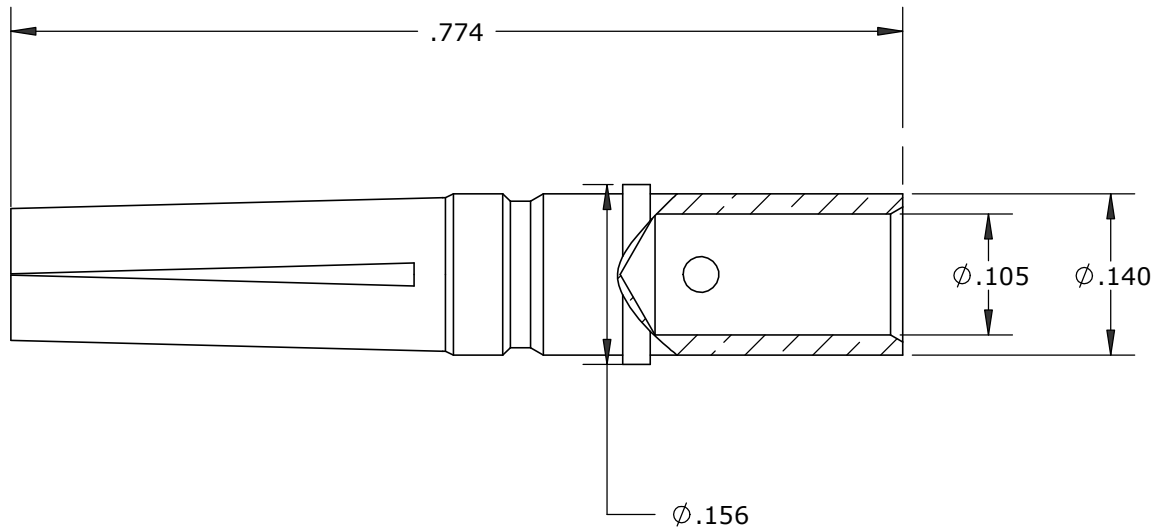


PART NUMBER: 484-RSG

CUSTOMER PRINT


NOTES:

1. MATERIAL: BRASS
2. FINISH: GOLD OVER NICKEL
3. ALL DIMENSIONS ARE REFERENCE



PROPRIETARY

THIS DOCUMENT CONTAINS CONFIDENTIAL INFORMATION PROPRIETARY TO CONXALL CORPORATION. ANY REPRODUCTION, DISCLOSURE, OR USE OF THIS DOCUMENT /INFORMATION IS EXPRESSLY PROHIBITED UNLESS AUTHORIZED IN WRITING BY CONXALL CORPORATION.

G	MA	11-04-20	ADDED CUSTOMER PRINT PER DOR 20-E149SL-35
F	PD	07-26-12	UPDATED GAP LENGTH, SEE DRAWING 484-RS PER ECR 8272
E	AN	05-05-11	PART WITHOUT PLATING WAS 484-RS ON NOTE 5 PER ECR 7860
D	JAL	02-03-97	ADDED NOTE 7 PER ECR 2195
REV.	INIT.	DATE	DESCRIPTION
<small>ALL INFORMATION ILLUSTRATED IS THE PROPERTY OF "CONXALL CORPORATION." UNAUTHORIZED DUPLICATION OR DISTRIBUTION OF THIS DOCUMENT IS PROHIBITED.</small>			ORIG. DRAWN BY: RR DATE: 02-14-92
<small>ALL UNITS ARE IN FEET, INCHES, FRACTION OF INCHES AND DECIMALS.</small>			CHECKED BY: APPROVED BY:
<small>≡ CRITICAL CHARACTERISTIC FLAG PER SPEC. XXXX</small>			 601 E. WILDWOOD VILLA PARK, IL 60181
SCALE NTS		SIZE A	SHEET 1 OF 1
FILE: 484-RSG		DIRECTORY: SLW	TITLE: #12 SOCKET CONTACT CRIMP TAIL, GOLD PLATED LARGE BARREL CUSTOMER: STANDARD PRODUCT
PART NUMBER: 484-RSG			REV G