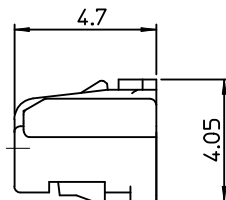
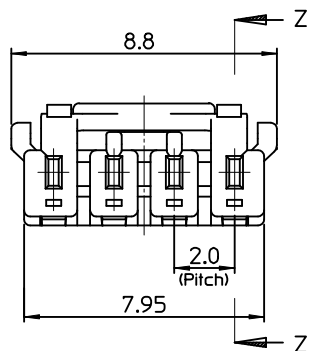
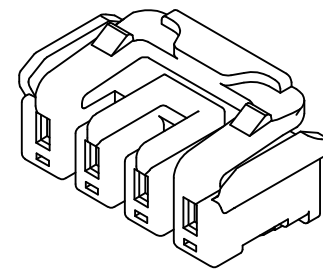


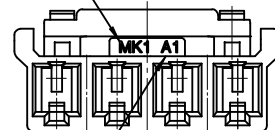
NOTES.

1. MATED WITH : 104046-0417
2. MATERIALS  
HOUSING : LIQUIDE CRYSTAL POLYMER(LCP), GLASS FILLED, UL94V-0  
COLOR OF NATURAL
3. APPLICABLE TERMINAL : 104466-8002



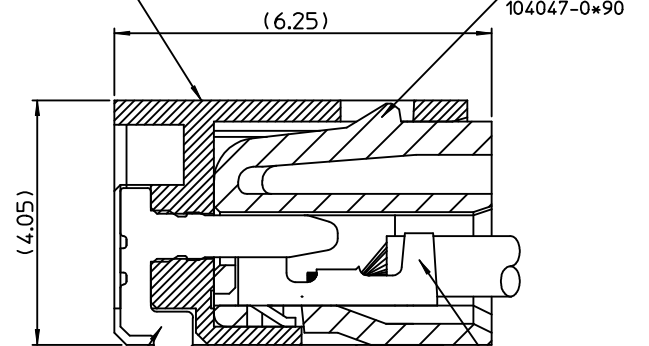
TRADE MARK

CAVITY NO.



HEADER ASS'Y  
104046-0\*17

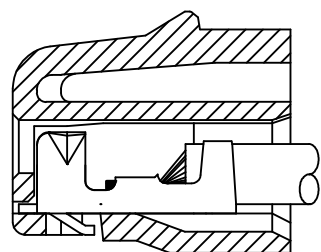
HOUSING  
104047-0\*90



104464-8002  
HEADER  
CONTACT TERMINAL

HEADER ASS'Y  
(SCALE 12:1)

CRIMP TERMINAL  
104466-8002



SECTION Z-Z  
(SCALE 12:1)

NEW RELEASED EC NO: KOR2010-0066 DRWN:CBCHIN 2009/10/15 CHKD:WYANG 2009/10/20 APPR:YUNSIKKIM 2009/10/21	QUALITY SYMBOLS	GENERAL TOLERANCES (UNLESS SPECIFIED)		DIMENSION STYLE	SCALE	DESIGN UNITS	THIRD ANGLE PROJECTION		
	▼=0 ▽=0	mm	INCH	MM ONLY	6:1	METRIC			
	DESCRIPTION	4 PLACES ± --- ± ---		DRAWN BY	DATE	TITLE			
	REV	3 PLACES ± --- ± ---		SK.HAN	2009/03/11	2.0 W-T-B CONN. HOSING-4P			
	2 PLACES ± 0.20 ± ---		CHECKED BY	DATE					
	1 PLACE ± 0.25 ± ---		WY.YANG	2009/03/11	MOLEX INCORPORATED DOCUMENT NO. SD-104047-001 SHEET NO. 1 OF 01				
	ANGULAR ± 3 °		APPROVED BY	DATE					
			WY.YANG	2009/03/11					
			MATERIAL NO.	1040470490					
			DRAFT WHERE APPLICABLE MUST REMAIN WITHIN DIMENSIONS		THIS DRAWING CONTAINS INFORMATION THAT IS PROPRIETARY TO MOLEX INCORPORATED AND SHOULD NOT BE USED WITHOUT WRITTEN PERMISSION				