

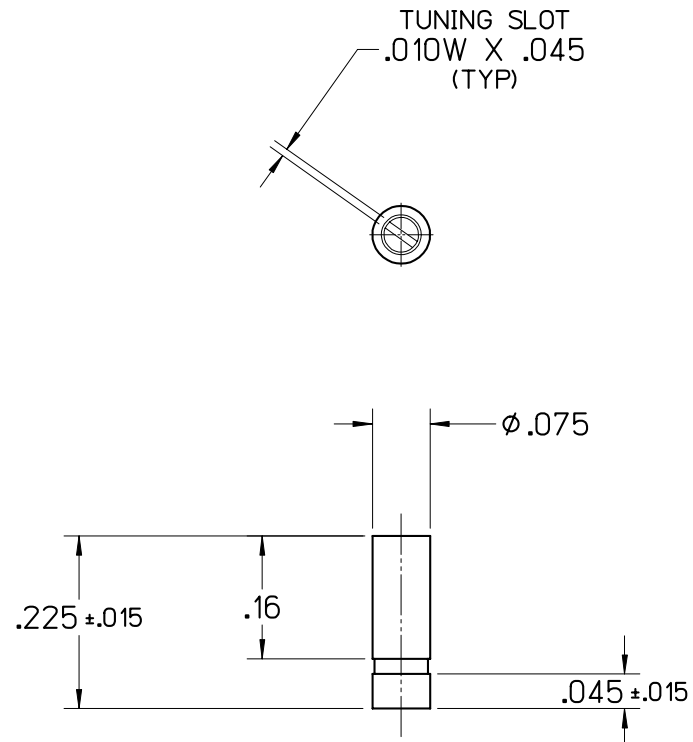
MI DRG. NO.

27260E

REV.

27260

E

TRIMMER CAPACITOR (GIGA-TRIM<sup>®</sup>)

## SPECIFICATIONS

FILE: AIROUT

CAPACITY RANGE	0.3pF TO 1.2pF (>5 TURNS)
WORKING VOLTAGE	500 VDC (1000 VDC TEST)
Q @ 250 MHz	>5000
INSULATION RESISTANCE	>10 <sup>6</sup> MEGOHMS
TEMPERATURE RANGE	-65°C TO +125°C
TORQUE	0.1 TO 1.0 OZ. IN
ROTATIONAL LIFE	50 CYCLES (400 REVOLUTIONS)
VIBRATION	15G @ 10-2000 Hz
SHOCK	100G @ 6 ms
MOISTURE RESISTANCE	10-24 HR. CYCLE
FINISHES: GOLD AND SILVER PLATE	
BRASS & INVAR STRUCTURE	
SAPPHIRE DIELECTRIC	
ACTUAL SIZE	

E	09/27/06	MLD	MAI	MAI	000442
D	02/22/00	MLD	-	-	000-077
LEVEL	DATE	DRN.	CHK.	APP.	ECN

## REVISIONS

DRN.	CHK.	APP.	SCALE
MLD	TAM	JHT	4" = 1"
DATE	DATE	DATE	.XX ± .015
02/22/00	03/02/00	03/08/00	.XXX ± .005



## JOHANSON MANUFACTURING CORPORATION

ROCKAWAY VALLEY ROAD, BOONTON, N.J. 07005 (973)334-2676 FAX (973)334-2954  
ELECTRONIC ACCURACY THROUGH MECHANICAL PRECISION

PROPRIETARY INFORMATION CONTAINED NOT TO BE USED WITHOUT JOHANSON MANUFACTURING CORPORATION APPROVAL