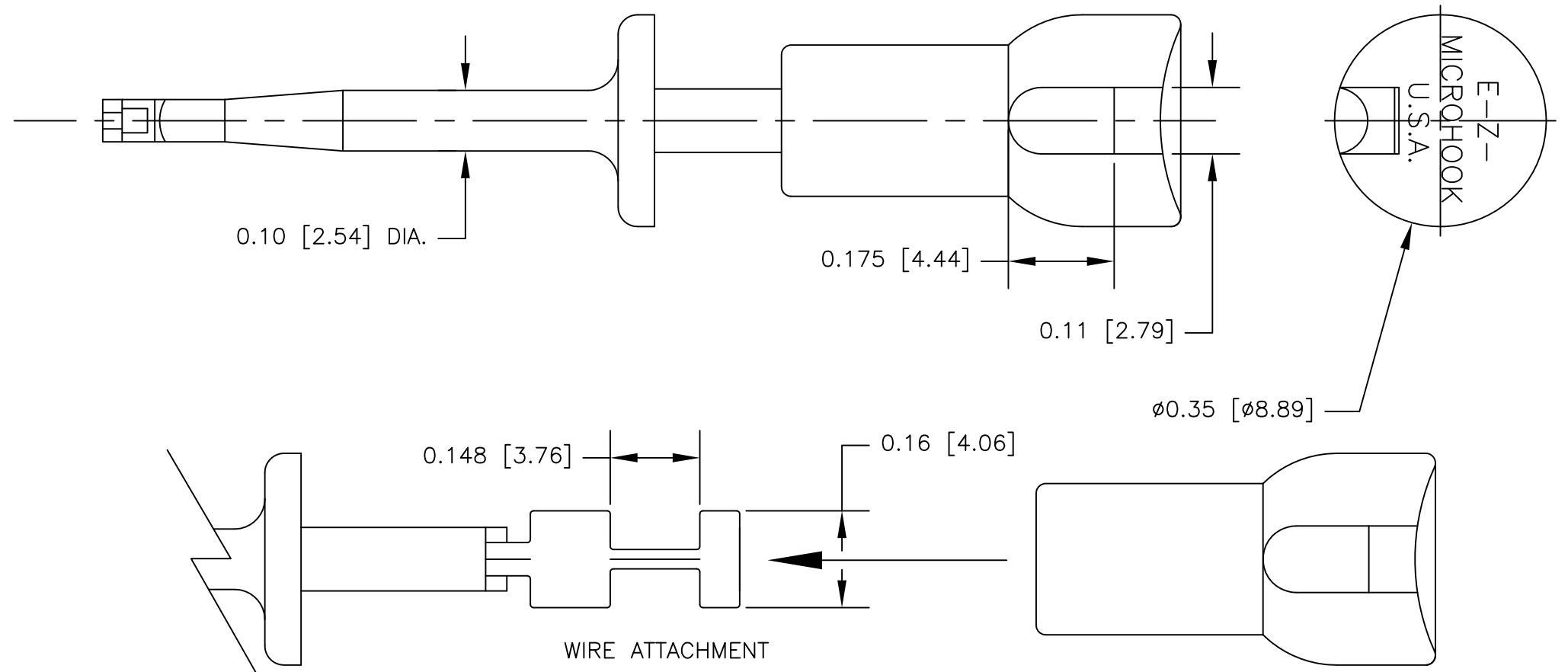
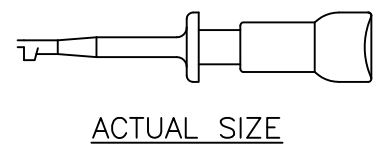
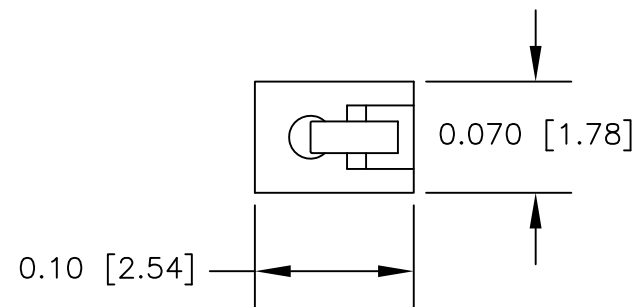
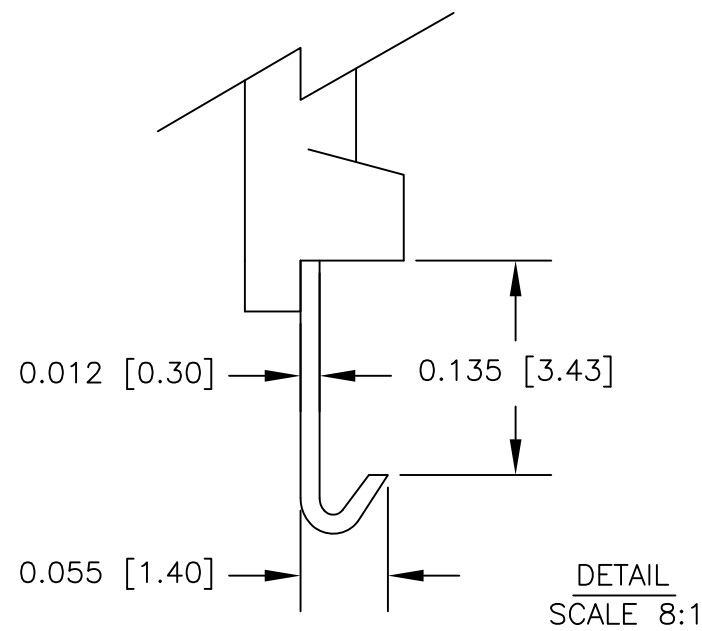
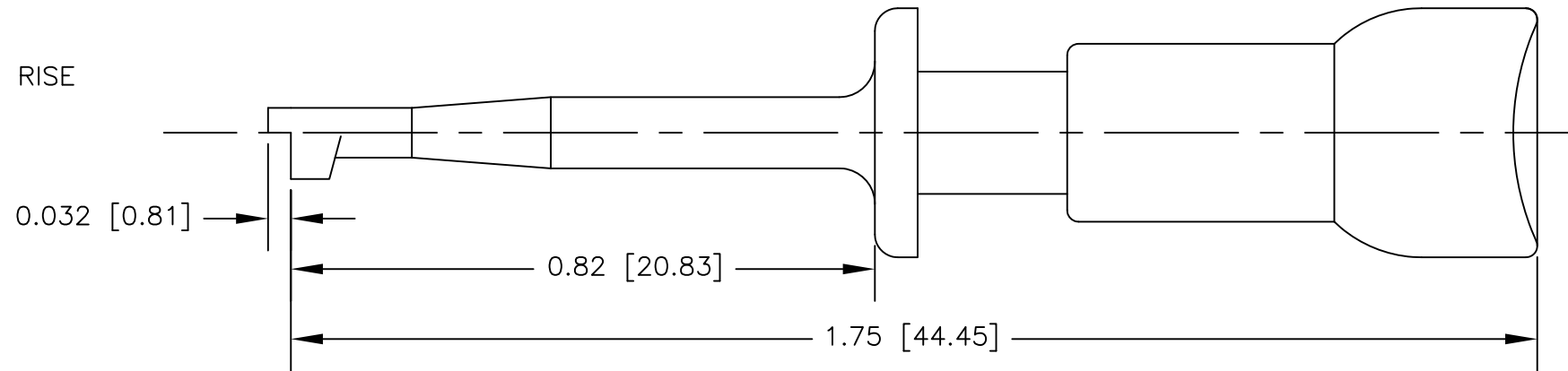


NOTES: UNLESS OTHERWISE SPECIFIED

- CONSTRUCTION:
HOUSING & PLUNGER: MOLDED NYLON. AVAILABLE IN TEN COLORS
CONTACT BLADE: GOLD PLATED BeCu
SPRING: STAINLESS STEEL
- PERFORMANCE:
MAXIMUM CURRENT: 4.4 AMPS WITH 76° TEMPERATURE RISE
MAXIMUM VOLTAGE: 2.4KV
MAXIMUM TEMPERATURE: 200°F (93°C)
- FEATURES:
HOOK FITS COMPONENT UP TO $\phi 0.045$ [$\phi 1.14$]
FIELD SERVICEABLE.

LTR	REVISIONS		DATE	APPROVED
	DESCRIPTION			



UNLESS OTHERWISE SPECIFIED DIMENSIONS ARE IN INCHES TOLERANCES ARE: FRACTIONS DECIMALS ANGLES ± N/A .XX ± N/A ± N/A .XXX ± N/A		CONTRACT NO.		E-Z-HOOK DIVISION OF TEKTEST INC. ARCADIA, CA 91006 U.S.A.	
		APPROVALS	DATE		
MATERIAL SEE NOTE		DRAWN	R.L.	6/09	DESCRIPTION E-Z-MICRO HOOK TEST CONNECTOR
		APPROVED BY			
FINISH SEE NOTE		SIZE	CODE IDENT NO.	DRAWING NO.	REV.
NEXT ASSY	USED ON	B	08505	XM	
APPLICATION		DO NOT SCALE DRAWING		SCALE	SHEET 1 OF 1
			4:1		