

MATERIALS AND FINISHES:

BODY ZINC ALLOY  
SEE TABLE

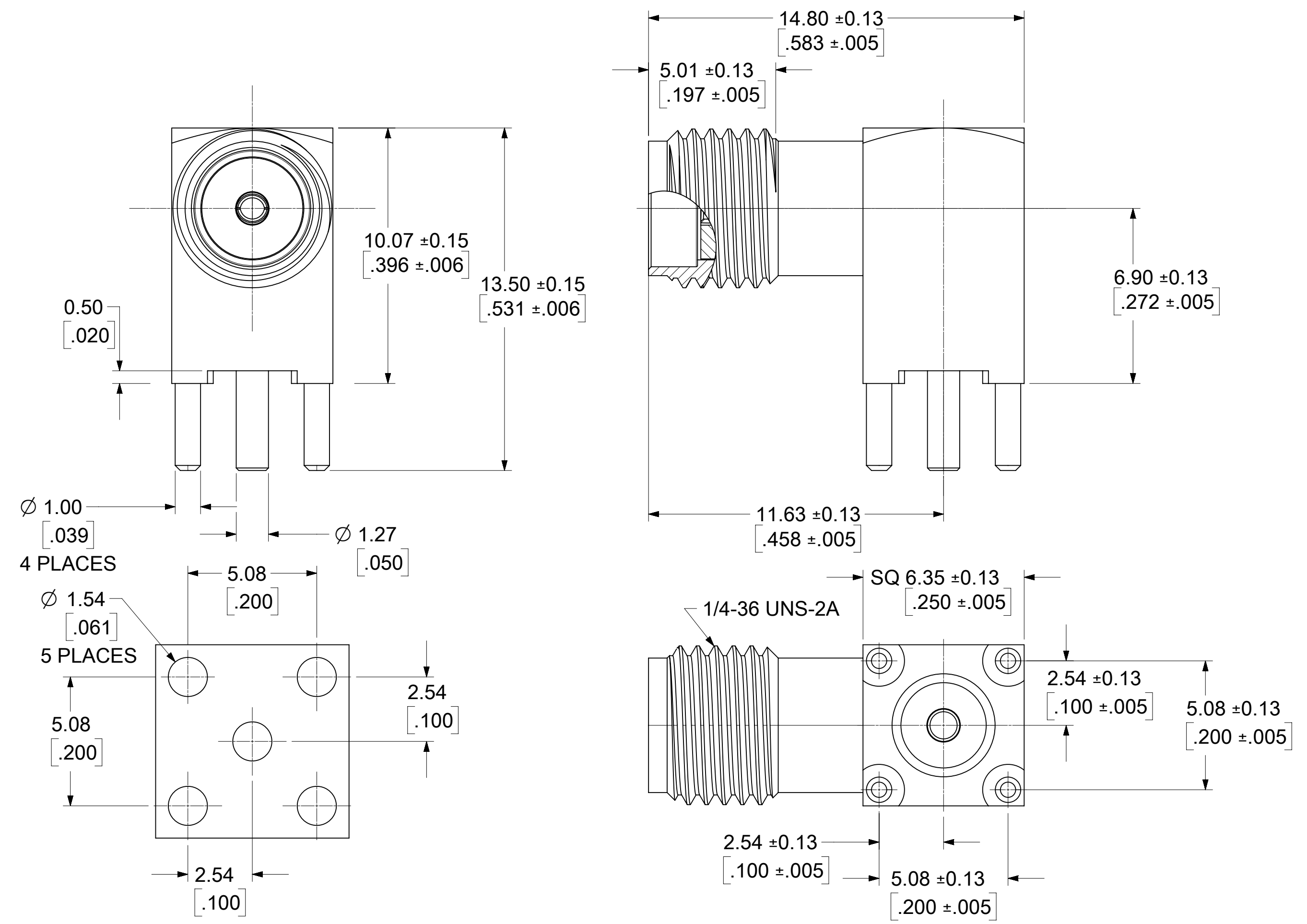
INSULATOR TEFLON

CONTACT (MATING END) BERYLLIUM COPPER  
PLATED GOLD

CONTACT (PCB END) BRASS  
PLATED GOLD

COVER BRASS  
SEE TABLE

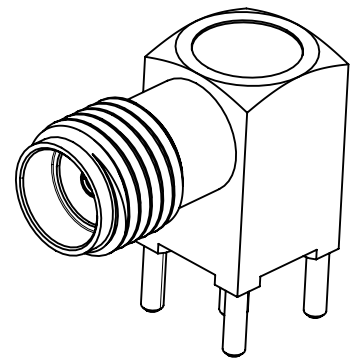
PACKAGING SEE TABLE



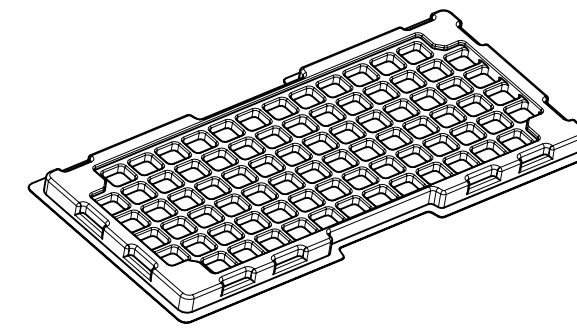
73391-0085	BODY, PIN AND COVER PLATED GOLD 1u" MIN	73391-0083 BAG (500 SET.)
73391-0084	BODY AND COVER PLATED NICKEL	73391-0080 BAG (500 SET.)
73391-0083	BODY, PIN AND COVER PLATED GOLD 1u" MIN	73391-0083 TRAY (80 CAV.)
73391-0082	BODY AND COVER PLATED NICKEL	73391-0080 TRAY (20 CAV.)
73391-0081	BODY, PIN AND COVER PLATED GOLD 10u" MIN	73391-0081 TRAY (80 CAV.)
73391-0080	BODY AND COVER PLATED NICKEL	73391-0080 TRAY (80 CAV.)
PART NO.	DESCRIPTION	PACKAGING

PS-89675-346	PRODUCT SPECIFICATION
MIL-STD-348A, FIG. 310.2	INTERFACE
SPECIFICATION	DESCRIPTION

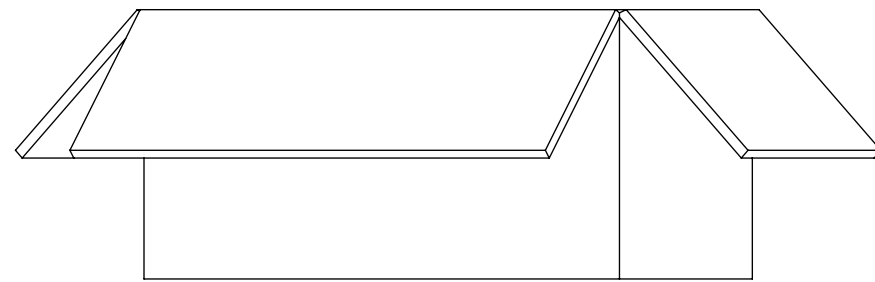
FUNCTIONAL SYMBOLS	THIS DRAWING CONTAINS INFORMATION THAT IS PROPRIETARY TO MOLEX ELECTRONIC TECHNOLOGIES, LLC AND SHOULD NOT BE USED WITHOUT WRITTEN PERMISSION		
MM/INCH	SCALE	CURRENT REV DESC: CHG PS TO PS-89675-346 PER EWR15816-A	
NTS			
GENERAL TOLERANCES (UNLESS SPECIFIED)	EC NO: 748205		
ANGULAR TOL ± 2.0°	DRWN: CWEI02 2023/04/25		
4 PLACES ±	CHK'D: YCHENG 2023/05/22		
3 PLACES ±	APPR: YCHENG 2023/05/22		
2 PLACES ±	INITIAL REVISION:		
1 PLACE ±	DRWN: RFC_PLMIMP 2018/01/09		
0 PLACES ±	APPR: MHUANG 2006/08/29		
DRAFT WHERE APPLICABLE MUST REMAIN WITHIN DIMENSIONS	THIRD ANGLE PROJECTION	DRAWING	SERIES
		C-SIZE	73391
DOCUMENT NUMBER		DOC TYPE	DOC PART
SD-73391-008		PSD	001
MATERIAL NUMBER		CUSTOMER	REVISION
SEE TABLE		GENERAL MARKET	A10
DOCUMENT STATUS	P1	RELEASE DATE	SHEET NUMBER
2023/05/22 01:28:12			1 OF 4



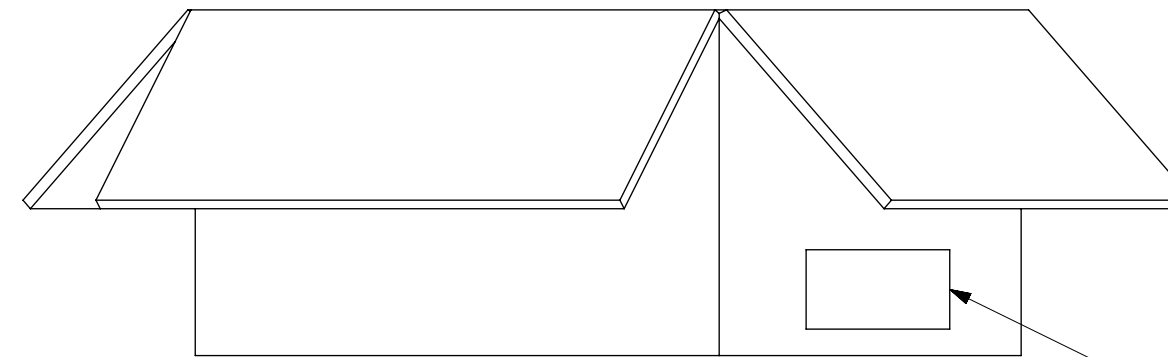
P/N 73391-0080  
73391-0081  
73391-0083



80 SETS PER TRAY  
TRAY P/N 89707-0190  
( L361mm X W167 mm )



1760 SETS PER INNER CARTON BOX  
P/N 96707-0001  
MAXIMUM OUTSIDE DIMENSION  
( L370.94mm X W183.94mm X D191.87mm)





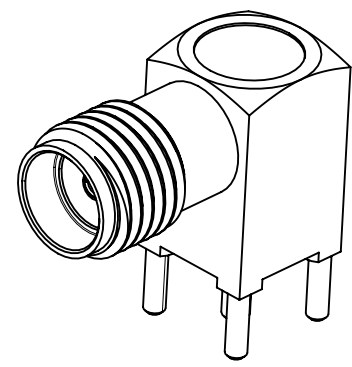
3520 SETS PER OUTER CARTON BOX  
P/N 96708-0005  
MAXIMUM OUTSIDE DIMENSION  
( L393.94mm X W390.92mm X D211.89mm)

LABEL  
(SEE DETAIL A)

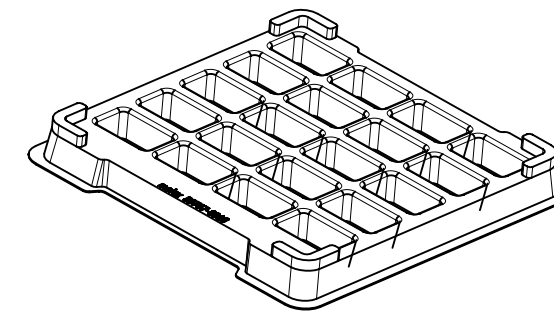
1	PART NO
2	DESCRIPTION
3	QUANTITY
4	COUNTRY OF ORIGIN
5	INV CTRL DATE
6	LOT NUMBER
7	ENVIRONMENT INFORMATION
8	DATE CODE

1	(1P) PART NUMBER <b>0733910083</b>	(9D) DATE CODE <b>2047</b>	8
2	DESCRIPTION <b>SMA RA JACK, PCB</b>		
3	(Q) QUANTITY <b>3520</b>		
4	(4L) MADE IN <b>Taiwan</b>		
5	(12D) INV CTRL DATE <b>2020/11/16</b>		
6	(1T) TRACEABILITY <b>000846200927</b>		
7	RoHS Compliant with Exemption REACH SVHC information - see www.molex.com Low-Halogen		
1 of 1		OPERATOR: 20.11.16	
MOLEX TAIWAN LTD. / DANSHUI, NEW TAIPEI CITY, TAIWAN 25144			

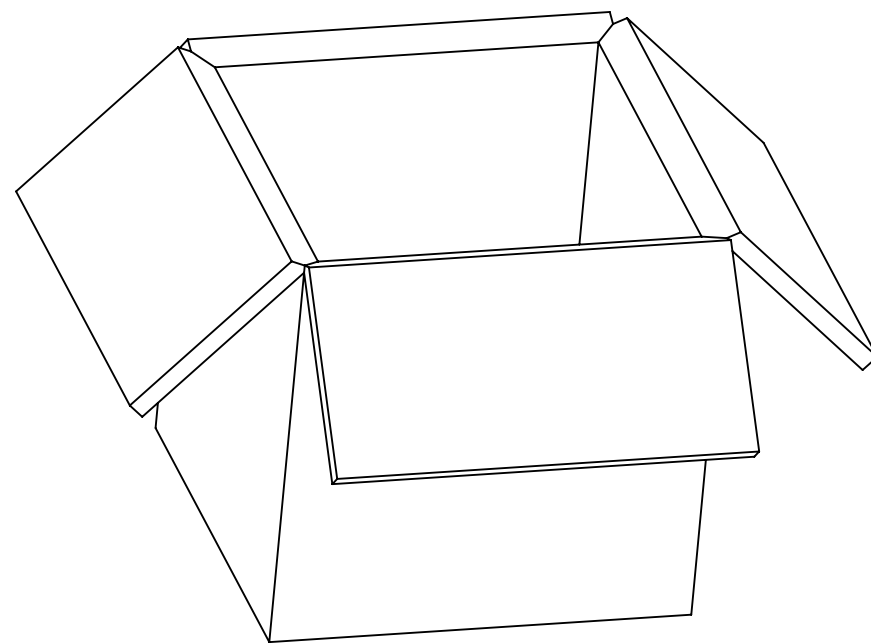
<b>FUNCTIONAL SYMBOLS</b> $\frac{F}{A} = 0$ $\frac{E}{C} = 0$ $\frac{E}{P} = 0$	THIS DRAWING CONTAINS INFORMATION THAT IS PROPRIETARY TO MOLEX ELECTRONIC TECHNOLOGIES, LLC AND SHOULD NOT BE USED WITHOUT WRITTEN PERMISSION DIMENSION UNITS: <b>MM/INCH</b> SCALE: <b>NTS</b> CURRENT REV DESC: CHG PS TO PS-89675-346 PER EWR15816-A				
	GENERAL TOLERANCES (UNLESS SPECIFIED) ANGULAR TOL $\pm 2.0^\circ$ 4 PLACES $\pm$				EC NO: 748205 DRWN: CWEI02 2023/04/25 CHK'D: YCHENG 2023/05/22 APPR: YCHENG 2023/05/22
	<b>DIVISIONAL SYMBOLS</b> 3 PLACES $\pm$ 2 PLACES $\pm$ 1 PLACE $\pm$ 0 PLACES $\pm$	INITIAL REVISION: DRWN: RFC_PLMIMP 2018/01/09 APPR: MHUANG 2006/08/29	PRODUCT CUSTOMER DRAWING		
	DRAFT WHERE APPLICABLE MUST REMAIN WITHIN DIMENSIONS	THIRD ANGLE PROJECTION 	DRAWING: <b>C-SIZE</b> SERIES: <b>73391</b>	DOCUMENT NUMBER: <b>SD-73391-008</b> DOC TYPE: <b>PSD</b> DOC PART: <b>001</b> REVISION: <b>A10</b>	MATERIAL NUMBER: <b>GENERAL MARKET</b> CUSTOMER: <b>GENERAL MARKET</b> SHEET NUMBER: <b>2 OF 4</b>



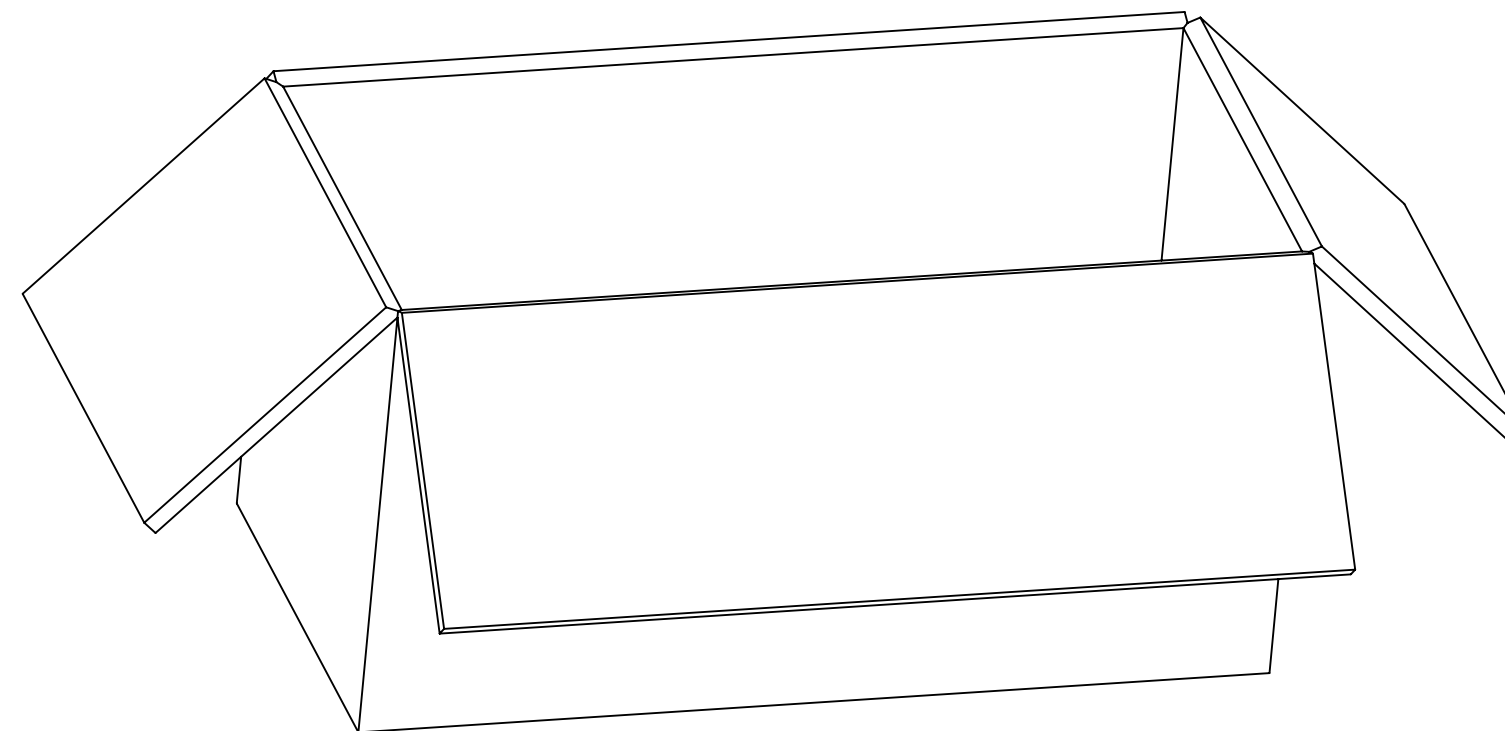
PART NO: 73391-0082



20 SETS PER TRAY  
P/N: 89707-0308



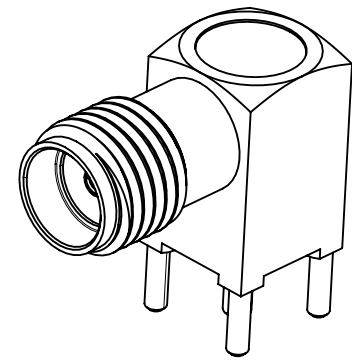
200 SETS PER INNER  
CARTON BOX  
P/N: 96707-0005



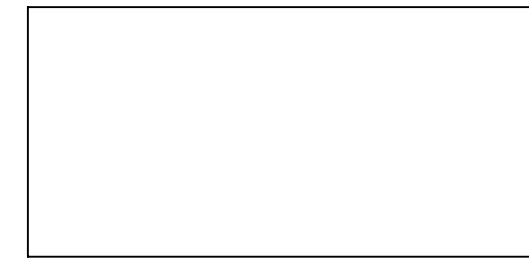
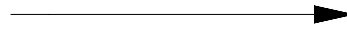
400 SETS PER OUTER  
CARTON BOX  
P/N: 96707-0002

FUNCTIONAL SYMBOLS										THIS DRAWING CONTAINS INFORMATION THAT IS PROPRIETARY TO MOLEX ELECTRONIC TECHNOLOGIES, LLC AND SHOULD NOT BE USED WITHOUT WRITTEN PERMISSION													
DIMENSION UNITS		SCALE		CURRENT REV DESC: CHG PS TO PS-89675-346 PER EWR15816-A																			
MM/INCH		NTS																					
GENERAL TOLERANCES (UNLESS SPECIFIED)										EC NO: 748205													
ANGULAR TOL ± 2.0°										DRWN: CWEI02 2023/04/25													
4 PLACES ±										CHK'D: YCHENG 2023/05/22													
3 PLACES ±										APPR: YCHENG 2023/05/22													
2 PLACES ±										INITIAL REVISION:													
1 PLACE ±										DRWN: RFC_PLMIMP 2018/01/09													
0 PLACES ±										APPR: MHUANG 2006/08/29													
DRAFT WHERE APPLICABLE MUST REMAIN WITHIN DIMENSIONS										THIRD ANGLE PROJECTION		DRAWING		SERIES		DOCUMENT NUMBER		DOC TYPE		DOC PART		REVISION	
		C-SIZE		73391		SD-73391-008				PSD		001		A10									
						MATERIAL NUMBER				CUSTOMER				SHEET NUMBER									
										GENERAL MARKET				3 OF 4									

DOCUMENT STATUS	P1	RELEASE DATE	2023/05/22	01:28:12
-----------------	----	--------------	------------	----------



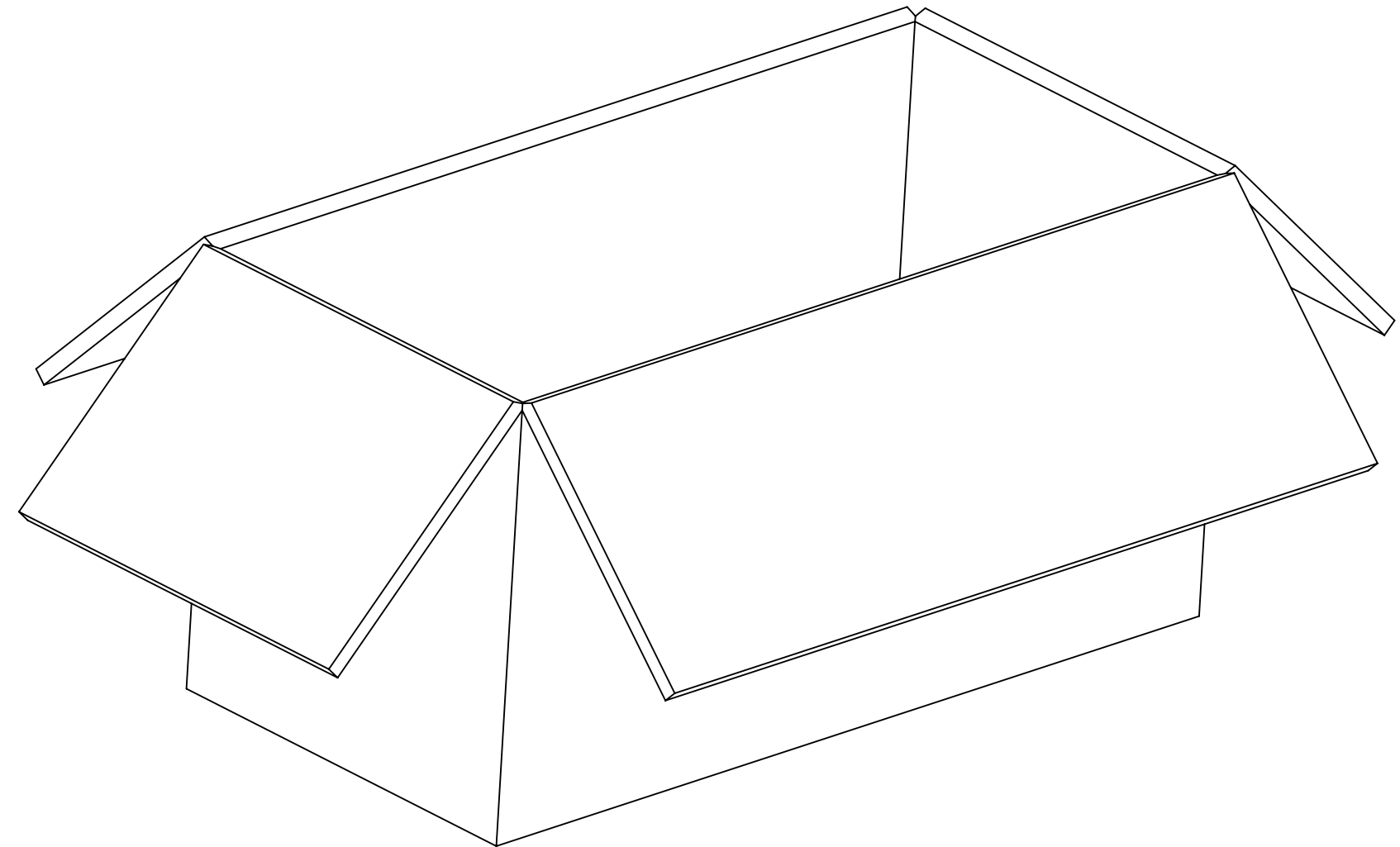
PART NO: 73391-0084 & 73391-0085



1 SET PER POLYBAG  
P/N: 89707-0317



50 SET PER POLYBAG  
P/N: 89707-0176



500 SET PER OUTER CARTON BOX  
P/N: 96707-0002

LABEL WITH EACH BAG  
FOR 73391-0084

MOLEX P/N: 73391-0084  
DATE: YYWW

LABEL WITH EACH BAG  
FOR 73391-0085

MOLEX P/N: 73391-0085  
DATE: YYWW

THIS DRAWING CONTAINS INFORMATION THAT IS PROPRIETARY TO MOLEX ELECTRONIC TECHNOLOGIES, LLC AND SHOULD NOT BE USED WITHOUT WRITTEN PERMISSION												
FUNCTIONAL SYMBOLS	DIMENSION UNITS	SCALE	CURRENT REV DESC: CHG PS TO PS-89675-346 PER EWR15816-A									
$\frac{F}{A} = 0$	MM/INCH	NTS	<b>molex</b>  SMA JACK R/A PCB TH 50 OHMS SMA-J/PCB  PRODUCT CUSTOMER DRAWING									
$\frac{E}{C} = 0$	GENERAL TOLERANCES (UNLESS SPECIFIED)											
$\frac{E}{P} = 0$	ANGULAR TOL $\pm 2.0^\circ$											
DIVISIONAL SYMBOLS	4 PLACES	$\pm$	EC NO: 748205	2023/04/25		DOCUMENT NUMBER: <b>SD-73391-008</b> DOC TYPE: PSD DOC PART: 001 REVISION: A10						
	3 PLACES	$\pm$	DRWN: CWEI02	2023/05/22								
	2 PLACES	$\pm$	CHK'D: YCHENG	2023/05/22								
	1 PLACE	$\pm$	APPR: YCHENG	2023/05/22								
	0 PLACES	$\pm$	INITIAL REVISION:			MATERIAL NUMBER: GENERAL MARKET CUSTOMER: GENERAL MARKET SHEET NUMBER: 4 OF 4						
	DRAFT WHERE APPLICABLE MUST REMAIN WITHIN DIMENSIONS		THIRD ANGLE PROJECTION		DRAWING							SERIES
					C-SIZE							73391