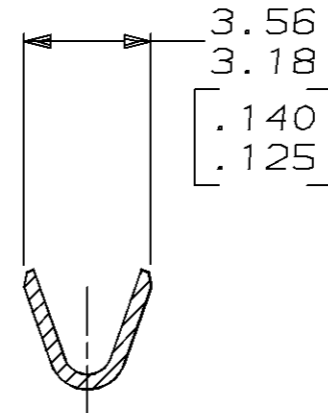
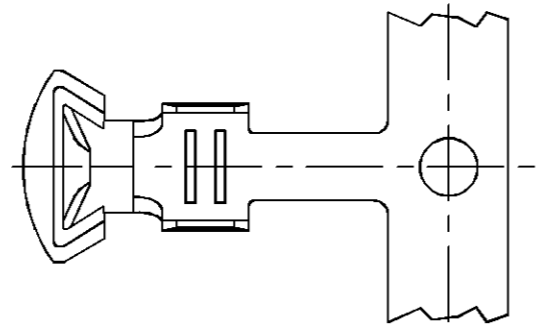


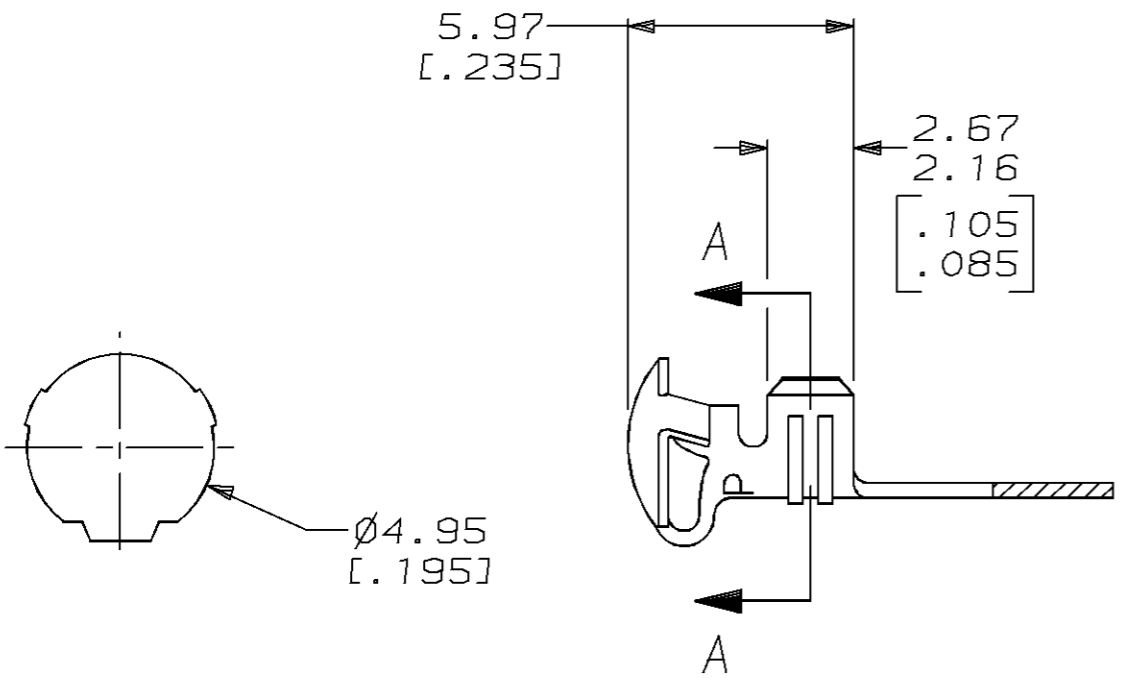
THIS DRAWING IS UNPUBLISHED. RELEASED FOR PUBLICATION, 19 .
© COPYRIGHT 19 BY AMP INCORPORATED. ALL INTERNATIONAL RIGHTS RESERVED.

LOC	DIST	P	F	ZONE	LTR	REVISIONS	DATE	APPD
AF	50				J	REV PER 0710-0427-95	27/SEP/95	PF DS

1. WIRE RANGE: 0.5 - 1.4 mm² [20 - 16 AWG].
2. DIMENSION IN BRACKETS ARE IN INCHES.



SECTION A-A



METRIC

THIS DRAWING IS A CONTROLLED DOCUMENT FOR AMP INCORPORATED. IT IS SUBJECT TO CHANGE AND THE CONTROLLING ENGINEERING ORGANIZATION SHOULD BE CONTACTED FOR THE LATEST REVISION.

MINI	61280-2
STANDARD	61280-1
APPLICATOR TYPE	PART NO

DO NOT SCALE PRINT. UNLESS SPECIFIED DIMENSIONS IN mm [INCHES] TOLERANCES ON: 2 PLC DEC ± 0.13 [.005] 3 PLC DEC ± - ANGLES ± -	DR 2-18-94 T. BECK	AMP AMP Incorporated Harrisburg, PA 17105-3608
	CHK 2-18-94 R. SWING	
	APPD 4-03-95 R. GRAY	
	APPD 4-03-95 R. GRAY	
MATERIAL	PRODUCT SPEC	NAME
0.41 [.016] BRASS	-	BUTTON CONTACT
FINISH	APPLICATION SPEC	SIZE
-	-	B
	WEIGHT	CAGE CODE
	-	00779
		DRAWING NO
		C=61280
		SCALE
		5:1
		SHEET
		1 OF 1