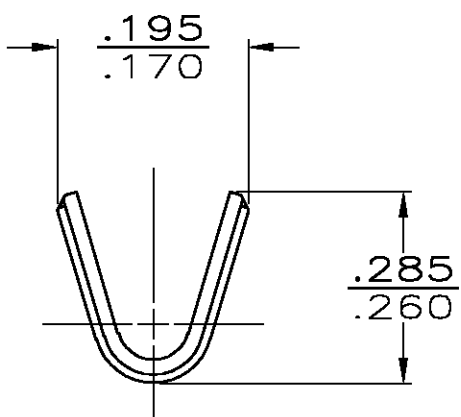
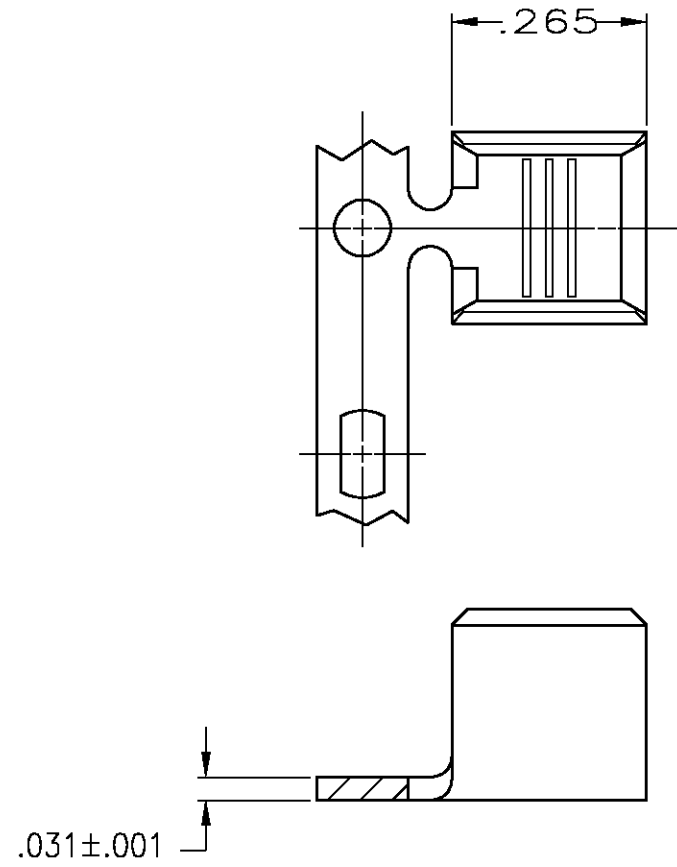


THIS DRAWING IS UNPUBLISHED. RELEASED FOR PUBLICATION
 © COPYRIGHT BY TYCO ELECTRONICS CORPORATION. ALL RIGHTS RESERVED.

| LOC | DIST | REVISIONS | | | | |
|-----|------|-------------|--------------------------|---------|-------|--|
| P | LTR | DESCRIPTION | DATE | DWN | APVD | |
| AF | 50 | C | REVISED PER 0G3A-0016-03 | 14FEB03 | JR GP | |

- 1 CONTINUOUS STRIP ON REELS.
- 2 CRIMP WIDTH: .180 F TYPE
 CRIMP HEIGHT: $(\pm.002) = (\text{TOTAL CMA} + 28,300) / 289,800$
 FOR APPLICATOR INFORMATION CALL: 1-800-722-1111
 FOR PRODUCT INFORMATION CALL: 1-800-522-6752



| | |
|---------------|-------------|
| 9,000-16,000 | 63414-1 |
| CMA WIRE SIZE | PART NUMBER |

| | | | | |
|--|-----------------|-----------------------------------|--|------------|
| THIS DRAWING IS A CONTROLLED DOCUMENT. | | DWN 19DEC2002 MICHAEL S. FEHER | tyco Tyco Electronics Corporation | |
| DIMENSIONS: INCHES | | CHK 19DEC2002 GARY PORTA | Harrisburg, PA 17105-3608 | |
| TOLERANCES UNLESS OTHERWISE SPECIFIED: | | APVD 19DEC2002 GARY PORTA | NAME - | |
| 0 PLC ± - | | PRODUCT SPEC | - | |
| 1 PLC ± - | | APPLICATION SPEC | - | |
| 2 PLC ± - | | WEIGHT | - | |
| 3 PLC ± .010 | | SIZE | CAGE CODE | DRAWING NO |
| 4 PLC ± - | | A3 | 00779 | 63414 |
| ANGLES ± - | | RESTRICTED TO | | - |
| MATERIAL | FINISH | SCALE | | SHEET |
| #3 HARD STEEL | .000080 MIN TIN | 4:1 | | 1 OF 1 |
| CUSTOMER DRAWING | | REV | | C |