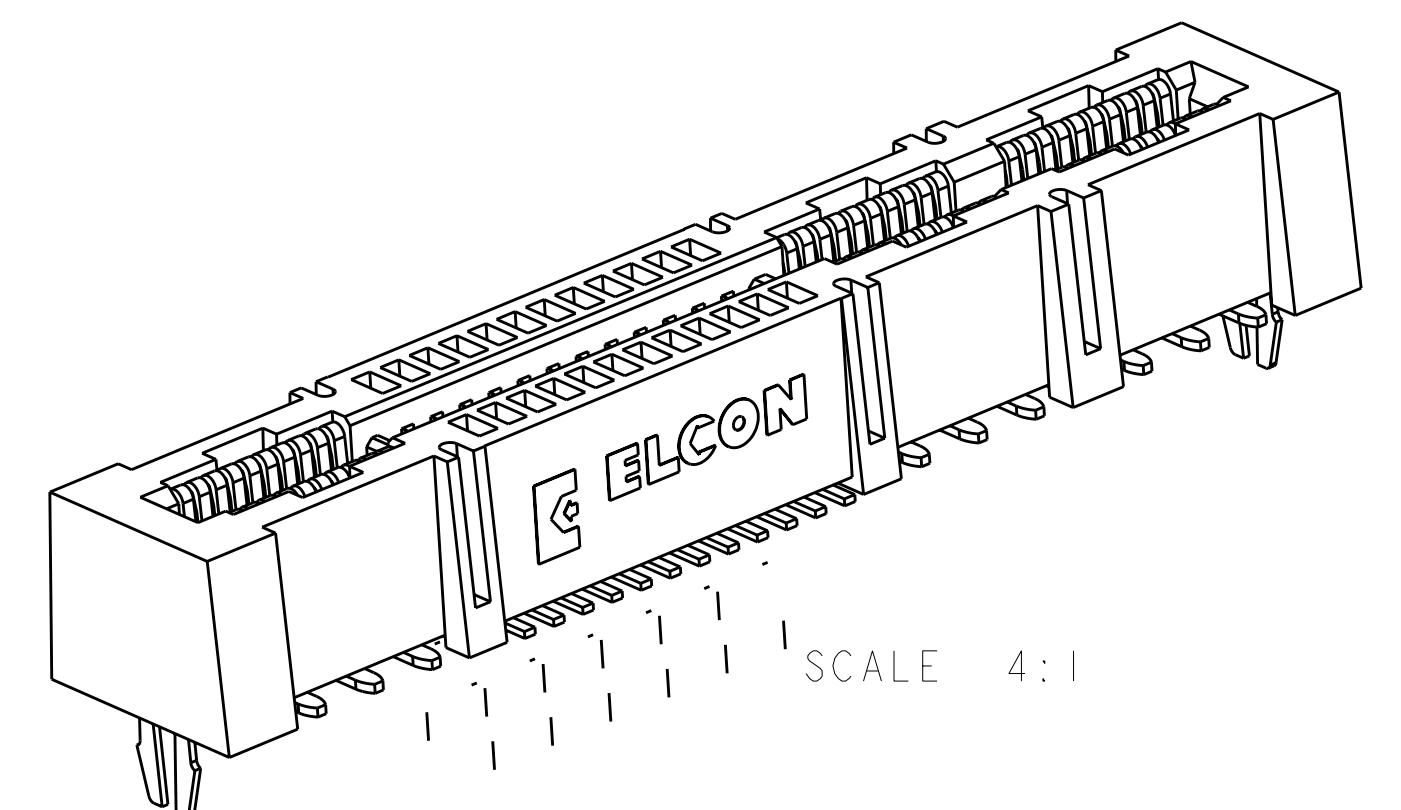
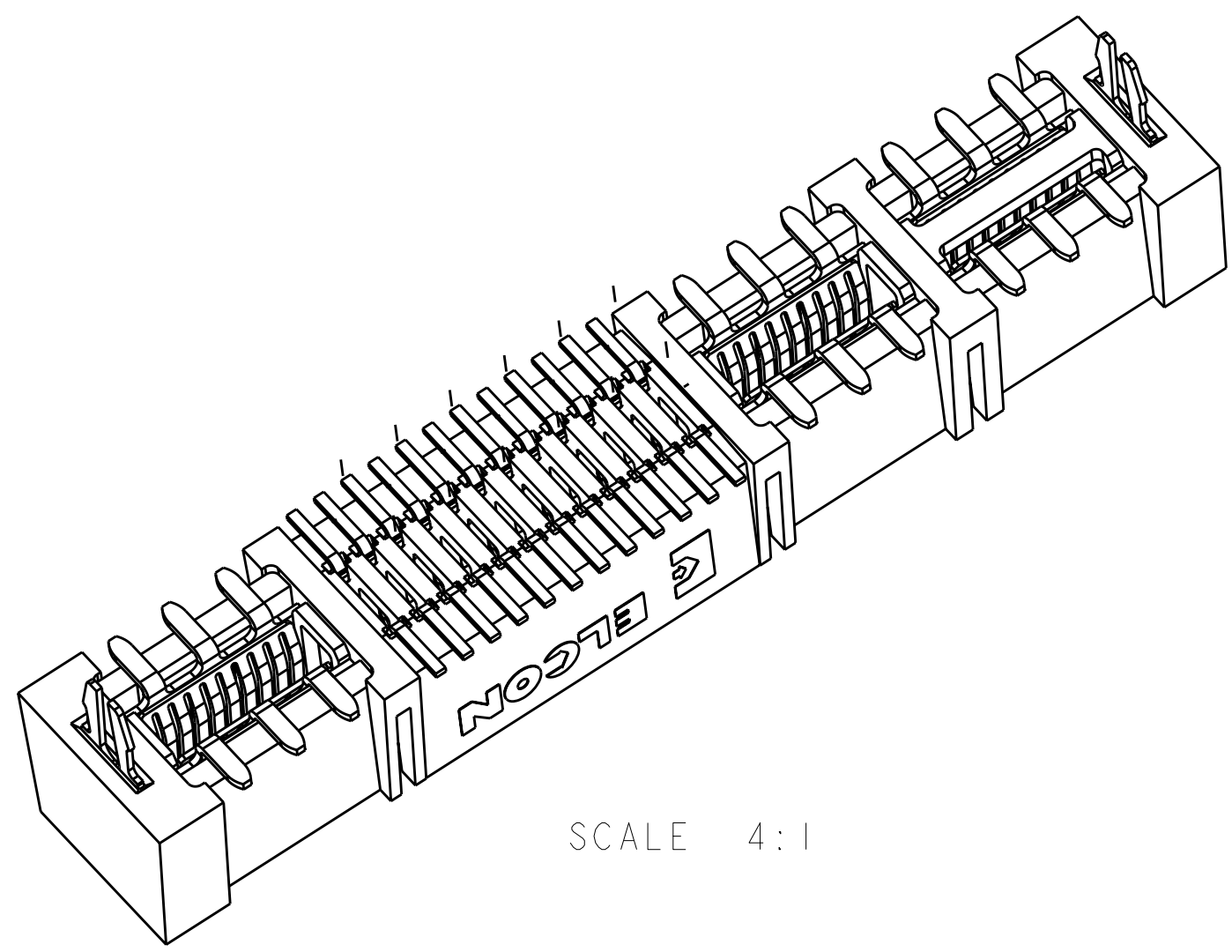
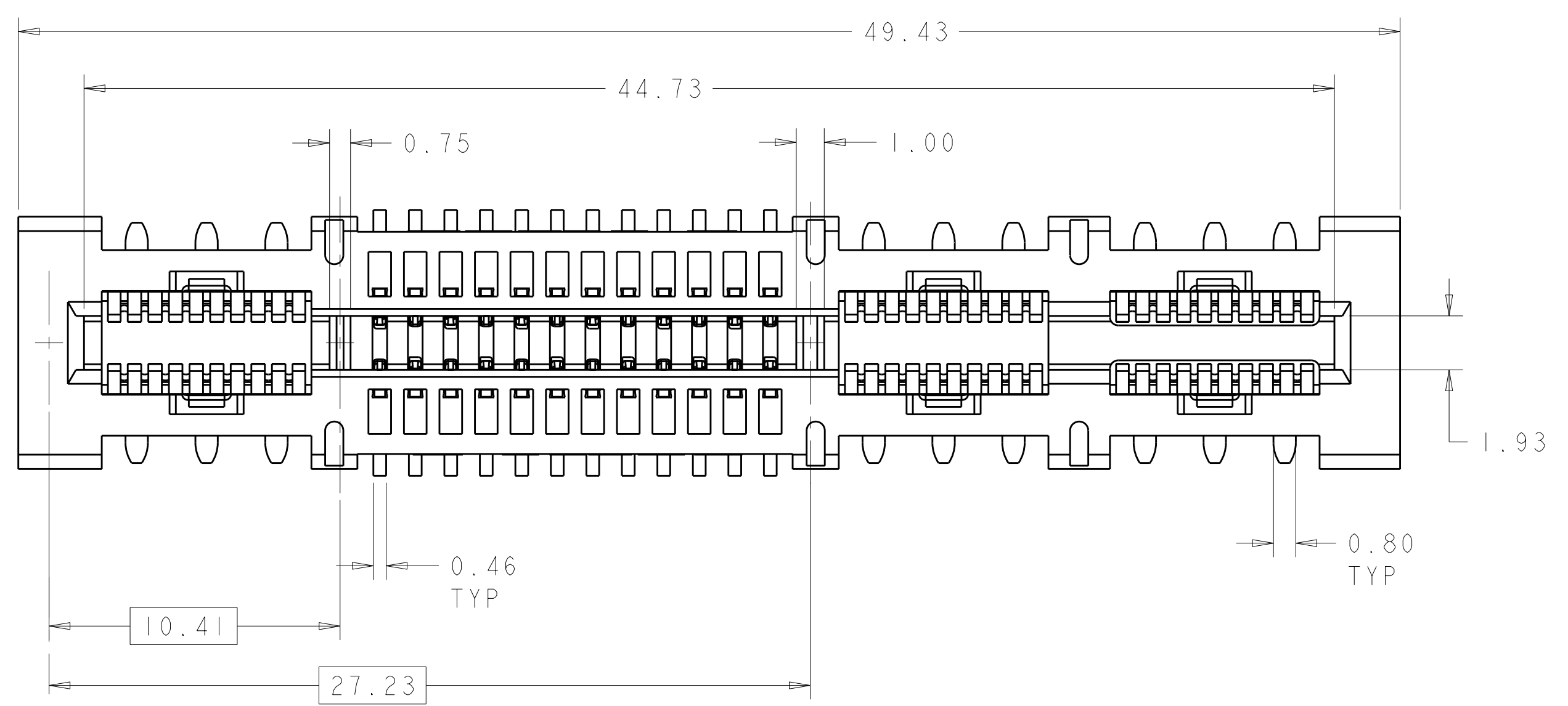


LOC	DIST	REVISIONS			
GP	00	REV	DATE	BY	APPD
		A	20AUG2009	RG	RL



1. PART NUMBER CHANGES AND OR DESIGN CHANGES AFFECTING ITEM INTERCHANGEABILITY REQUIRE PRIOR TYCO ELECTRONICS APPROVAL AND AUTHORIZATION BY REVISION TO THIS DRAWING.

2. MATERIAL:  
 INSULATOR - THERMOPLASTIC, GLASS REINFORCED UL94V-0  
 COLOR: BLACK, FLAMMABILITY RATED  
 CONTACTS - COPPER ALLOY

3. FINISH:  
 POWER CONTACT - SELECTIVE GOLD PLATE 0.76µm MIN THK. OVER NICKEL 1.27µm MIN THK.  
 SMT TAILS - TIN PLATE 3.05µm MIN. THK. OVER NICKEL 1.27µm MIN. THK.

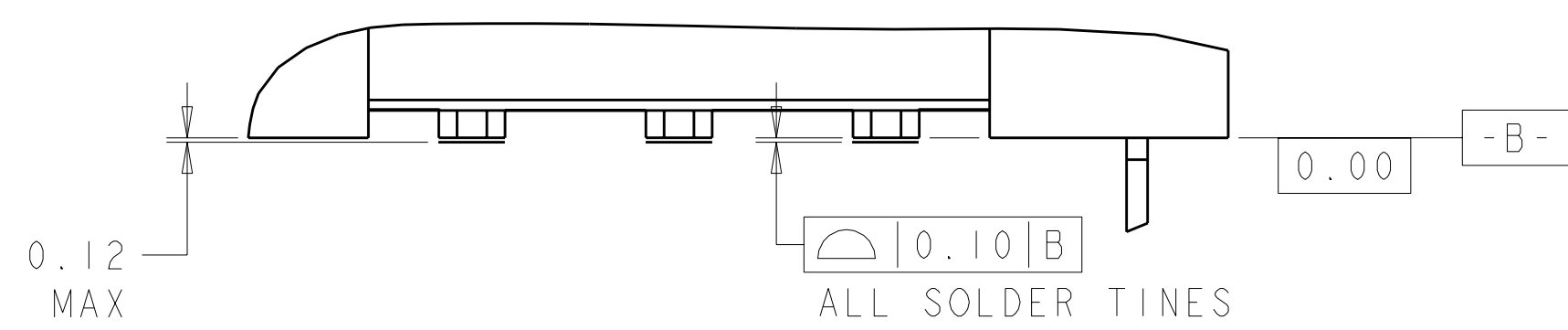
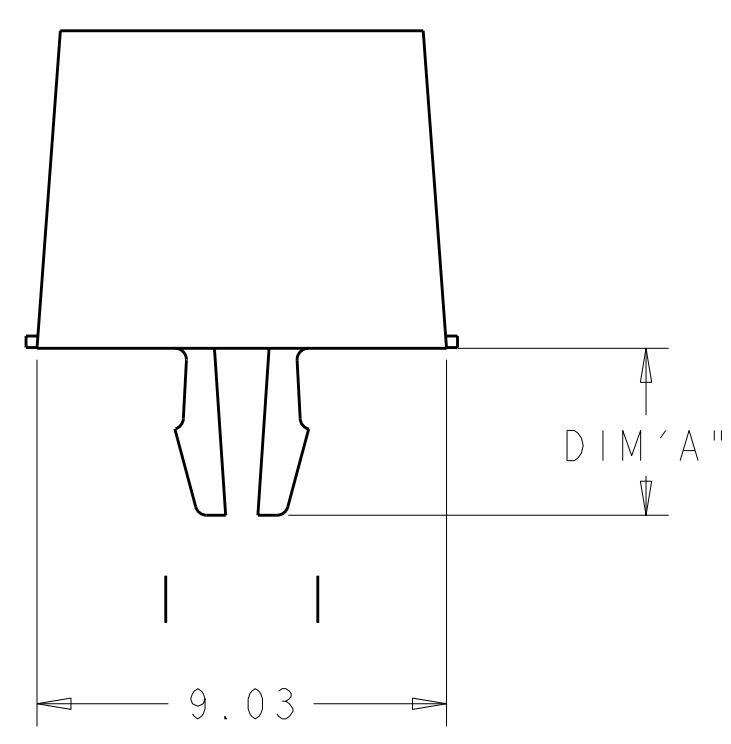
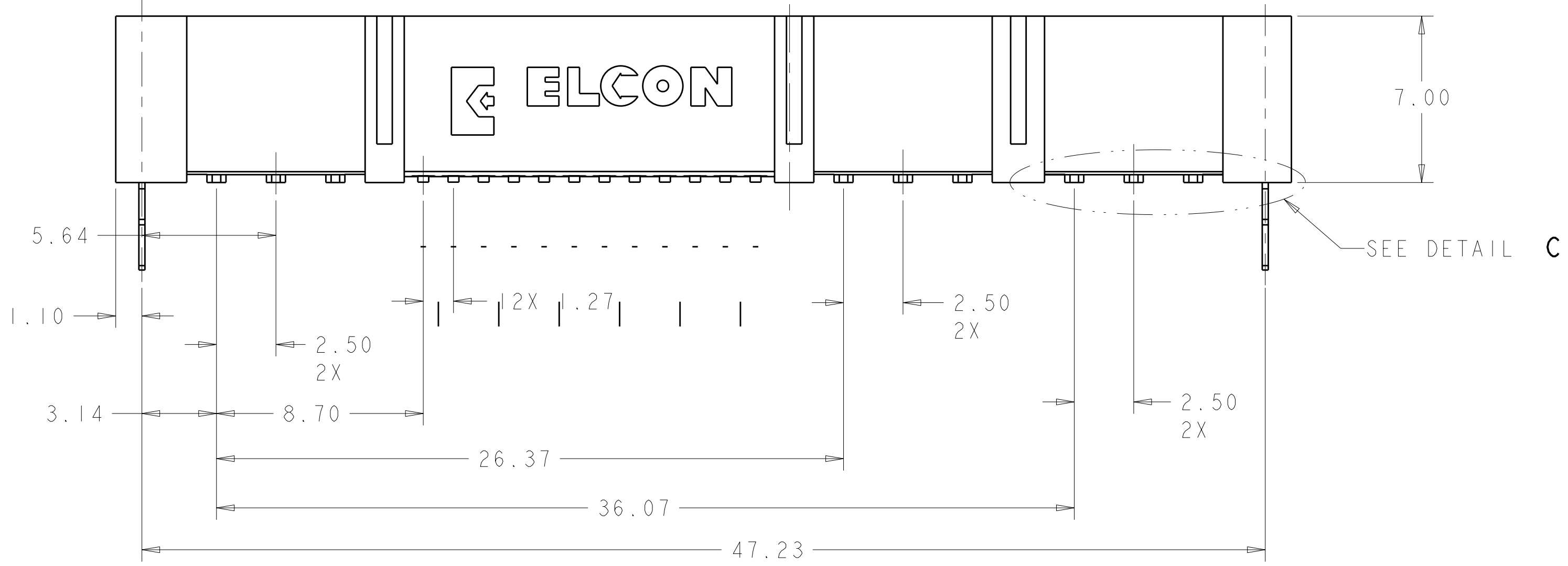
SIGNAL CONTACT - SLECTIVE GOLD PLATE 0.76µm MIN THK. OVER NICKEL 1.27µm MIN THK.  
 SMT TAILS - MATTE TIN PLATE 3.81µm MIN THK. OVER NICKEL 1.27µm MIN THK.

4. A REFERENCE DIMENSION (X.XX) IS WITHOUT TOLERANCE AND USED FOR INFORMATION PURPOSE ONLY.

5. ITEMS PROVIDED TO THIS SPECIFICATION TO BE PERMANENTLY IDENTIFIED PER THE FOLLOWING IDENTIFIER:

TYCO ELECTRONICS P/N DATE CODE (e.g. 0525)  
 XXXXXXX-X XXXX  
 YEAR 1 WEEK

- 6. DATUMS AND BASIC DIMENSIONS ESTABLISHED BY CUSTOMER.
- 7. MAXIMUM BURR OF 0.013 ON CARD TAB AREA.
- 8. CONNECTOR ACCEPTS 1.57±0.13 THK. PC BOARD.
- 9. KEEP OUT AREA FOR COMPONENTS ONLY.
- 10. RECOMMENDED GOLD FINGER LENGTH FOR RELIABLE CONTACT.



DETAIL C  
 SCALE 12:1

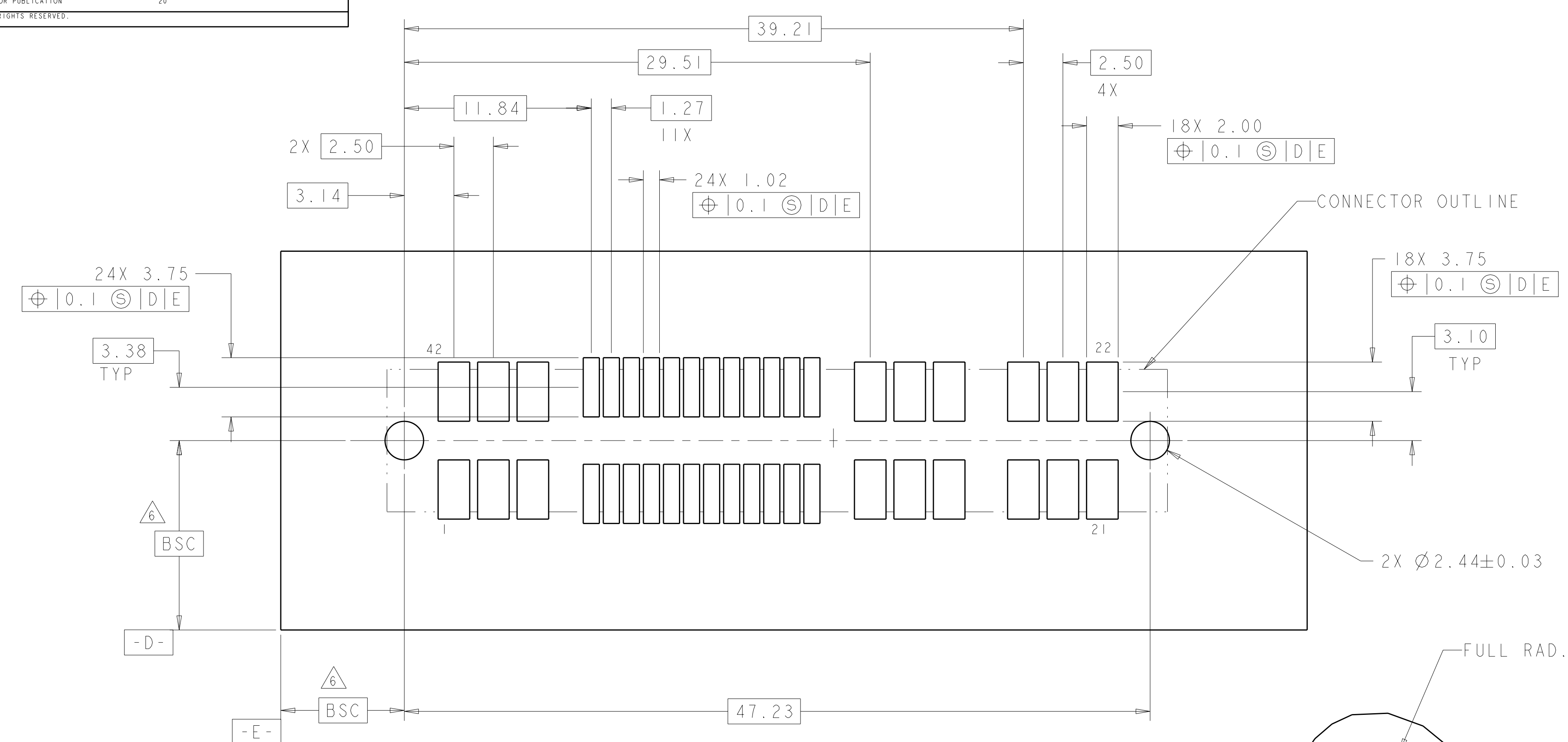
MATERIAL	DIM "A"	BOARD THICKNESS RANGE	PART NO.
GF30	5.24	2.92 - 3.55	1926819-8
	4.61	2.29 - 2.92	1926819-7
	4.19	1.57 - 2.29	1926819-6
GF45	5.24	2.92 - 3.55	1926819-4
	4.61	2.29 - 2.92	1926819-3
	4.19	1.57 - 2.29	1926819-2
	3.68	≤ 1.57	1926819-1

DIMENSIONS: mm TOLERANCES UNLESS OTHERWISE SPECIFIED: 0 PLC ±.25 1 PLC ±.25 2 PLC ±.08 3 PLC ±.08 4 PLC ±.08 ANGLES ±.3		DWN: R. GRZYBOWSKI 16APR2008 CHK: P. DAMATO 16APR2008 APVD: S. FLICKINGER 16APR2008		Tyco Electronics Harrisburg, PA 17105-3608	
MATERIAL:		FINISH:		NAME: HOUSING, SOCKET, 3 POWER, 24 SIGNAL NO LATCH, MINI CROWN EDGE PRODUCT SPEC: - APPLICATION SPEC: - WEIGHT: - CUSTOMER DRAWING: -	
SIZE: A100779C=1926819 SCALE: 8:1		SHEET: 1 OF 2 REV: A		RESTRICTED TO: -	

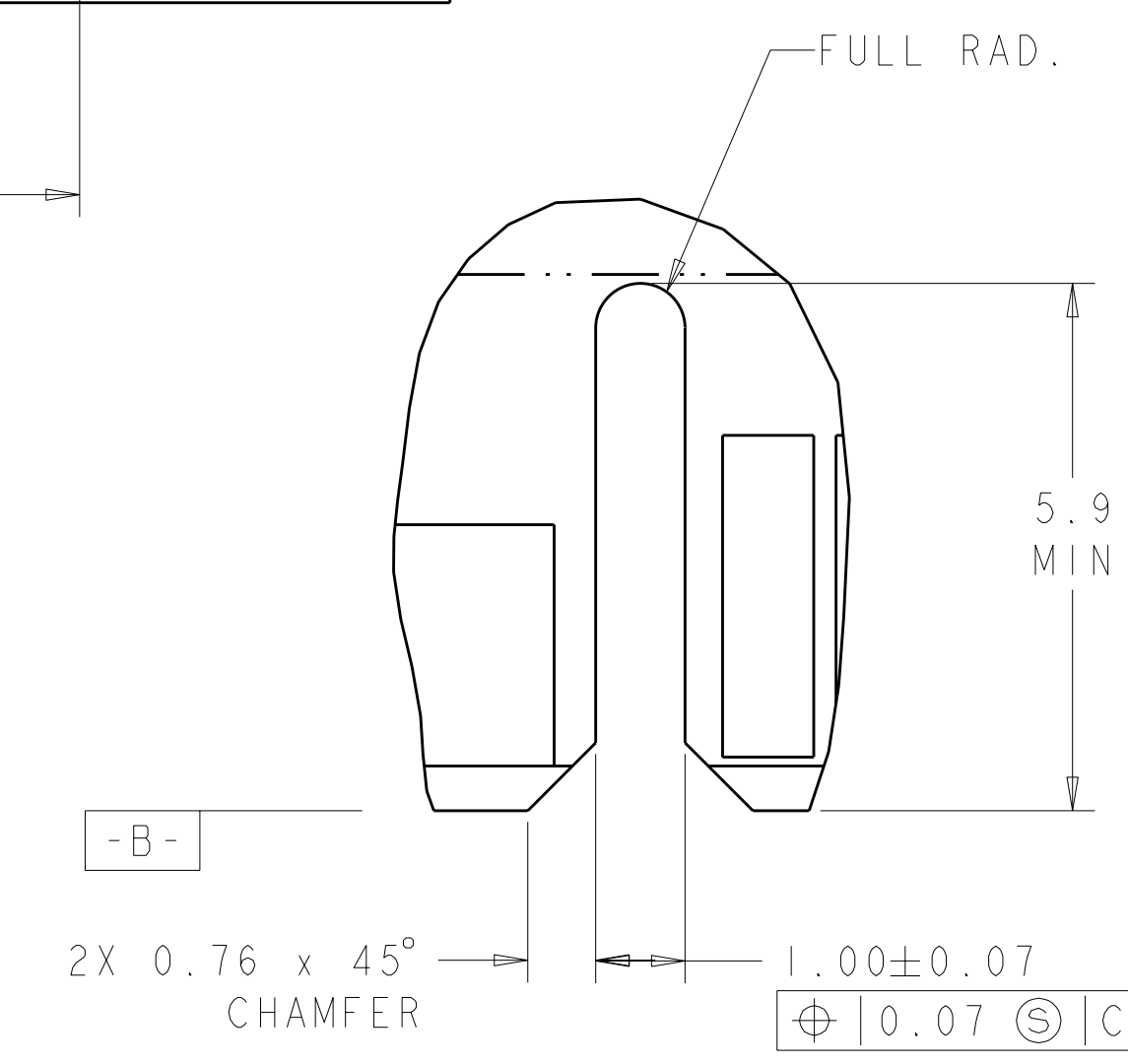
LOC	DIST	REV	DATE	BY	APPD
GP	00				

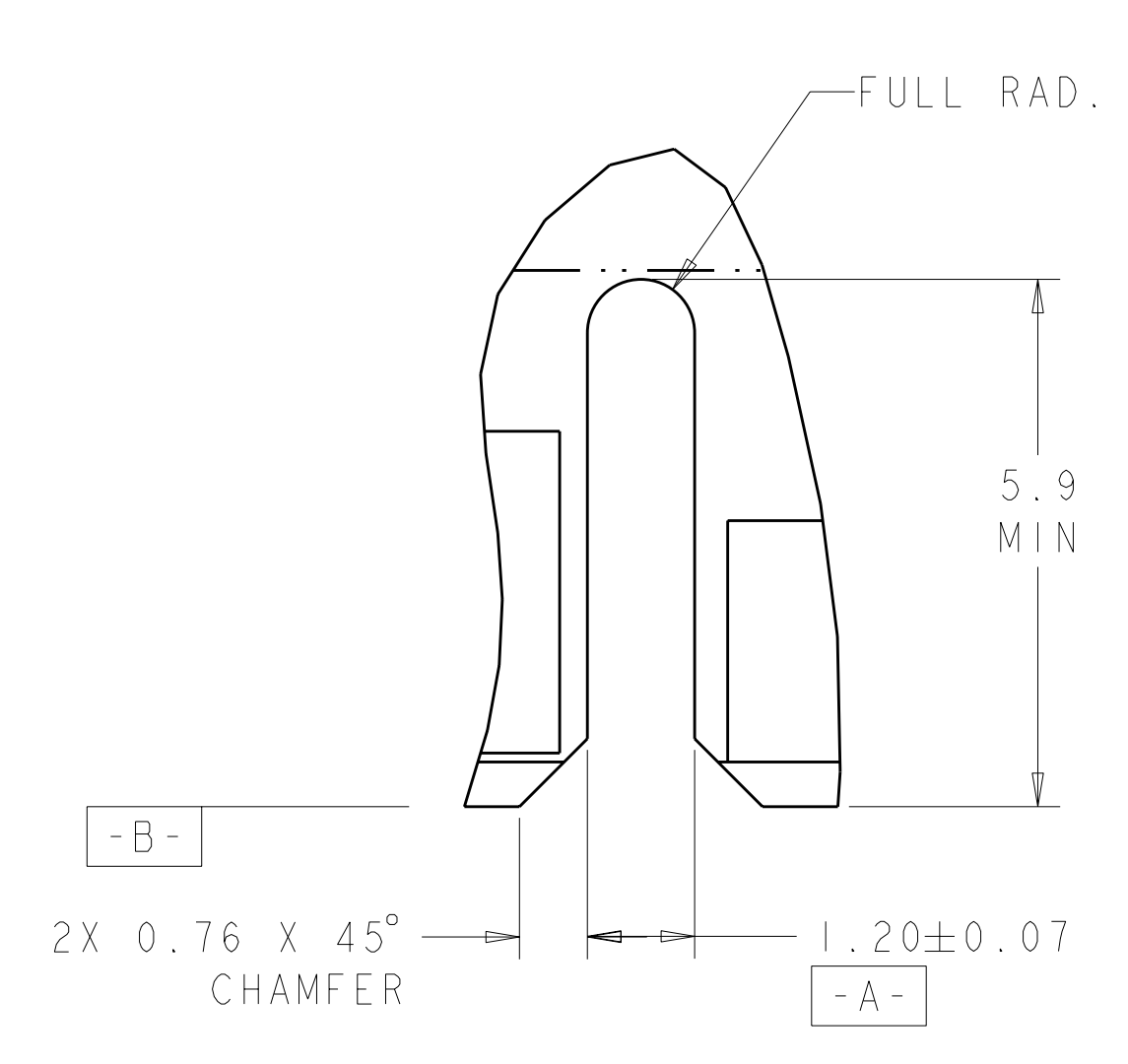
REVISIONS		DATE	BY	APPD
1	SEE SHEET 1			



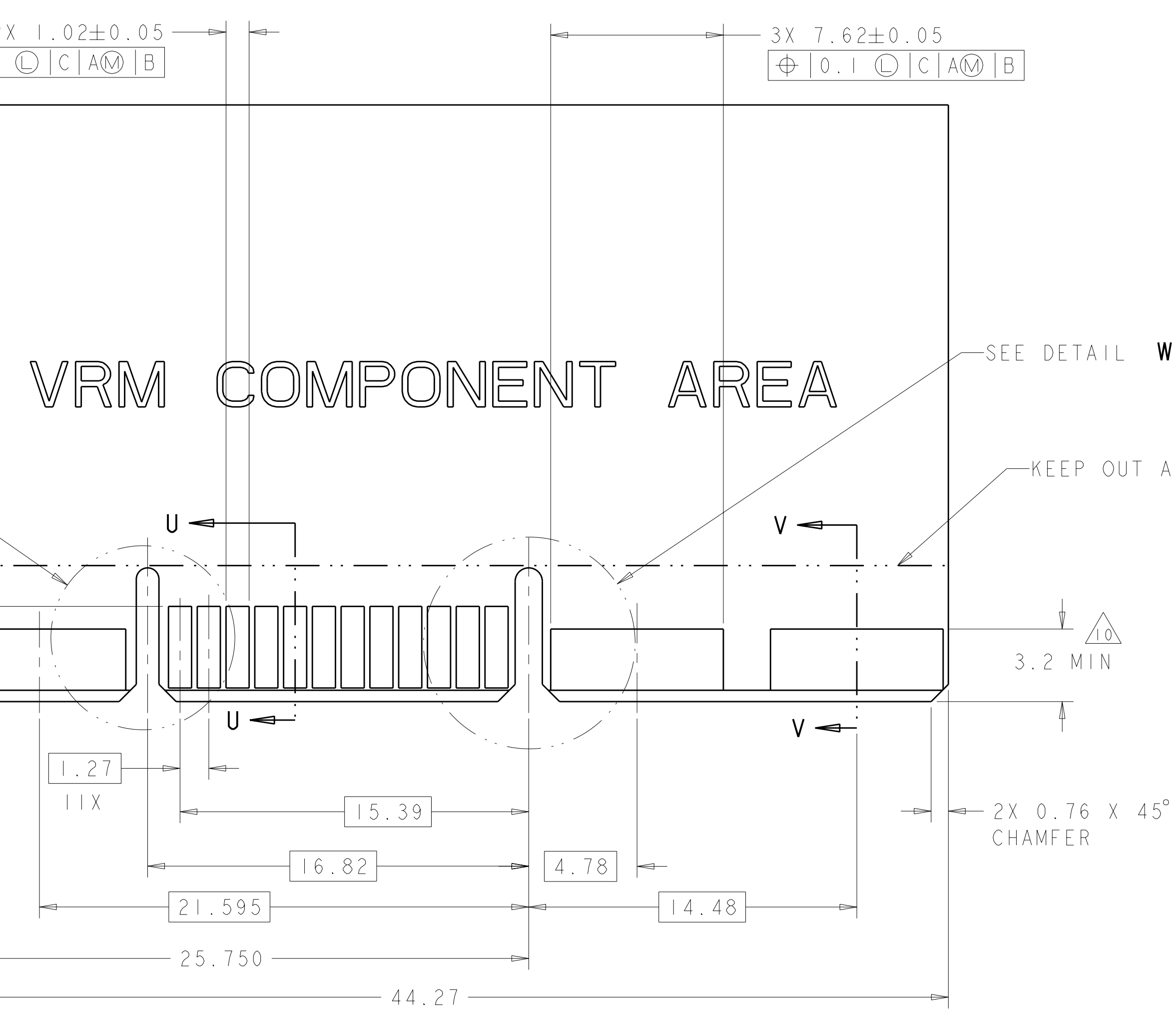
**RECOMMENDED SOLDER LAND LAYOUT**  
 AS VIEWED FROM CONNECTOR SIDE



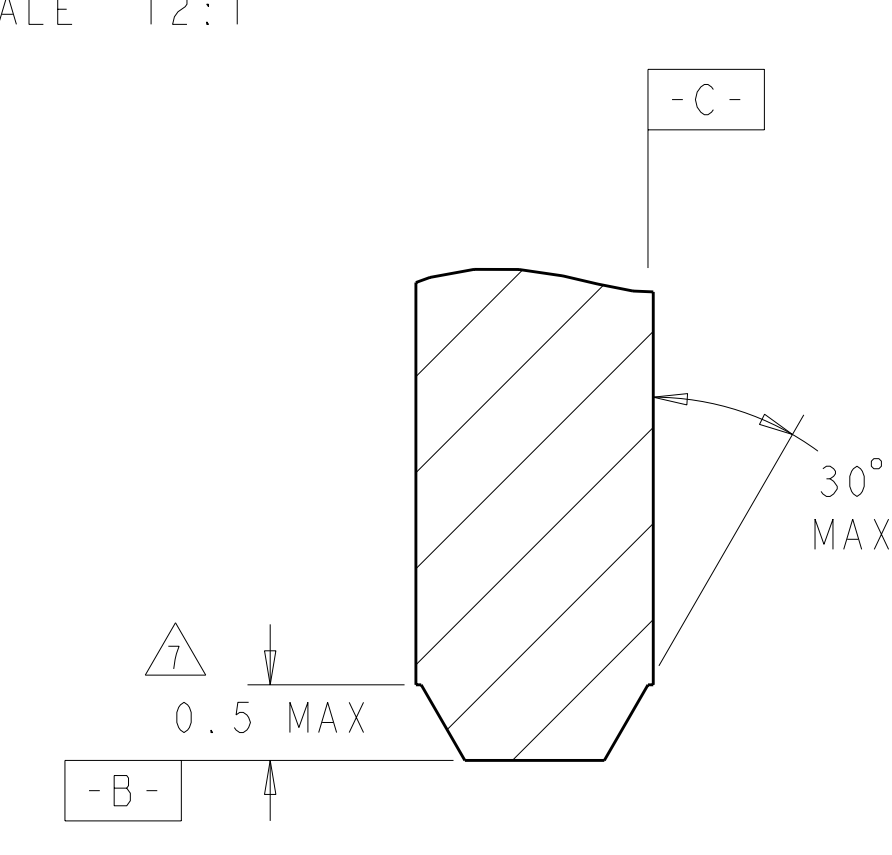
DETAIL S  
 SCALE 12:1



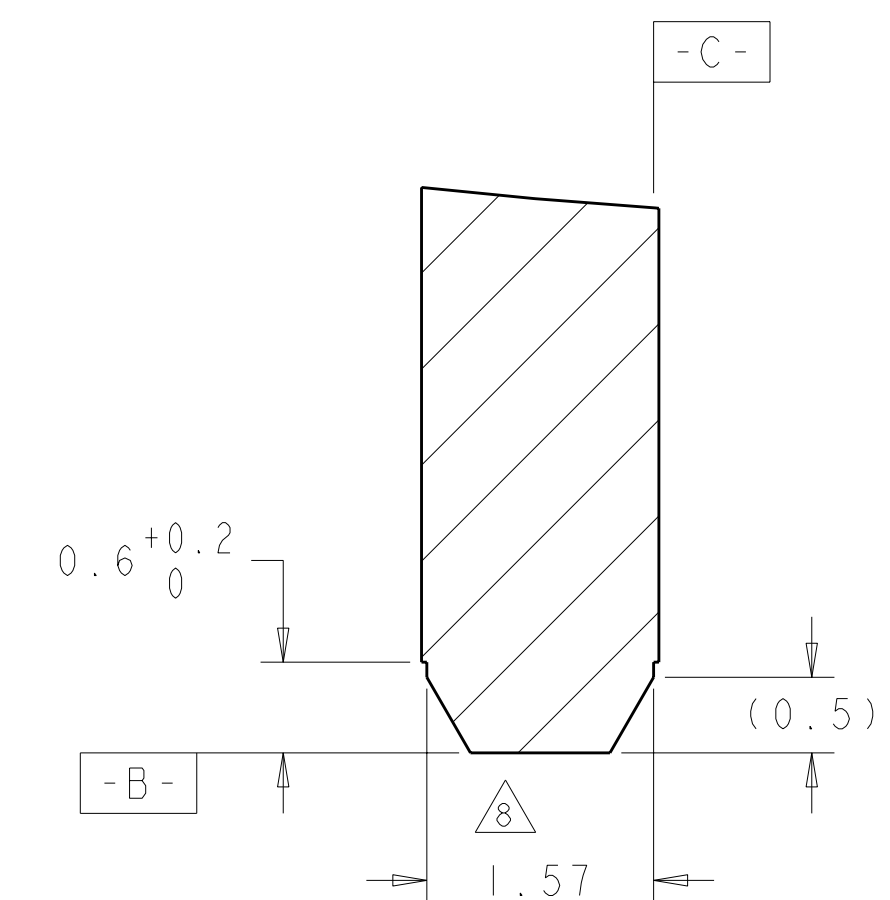
DETAIL W  
 SCALE 12:1



**RECOMMENDED MATING BOARD**  
 SCALE 6:1



SECTION V-V  
 SCALE 20:1



SECTION U-U  
 SCALE 20:1

DESIGN APPROVED THIS PRINT IS  
**PRELIMINARY**  
 TO FIRST PIECE APPROVAL  
 CONTACT PRODUCT ENGINEERING  
 BEFORE USING THIS PRINT

DIMENSIONS: mm		TOLERANCES UNLESS OTHERWISE SPECIFIED: 9 PLC ±.25 1 PLC ±.08 5 PLC ±.08 4 PLC ±.08 ANGLES ±.3		DWN R. GRZYBOWSKI 16APR2008 CHK P. DAMATO 16APR2008 APVD S. FLICKINGER 16APR2008		Tyco Electronics Harrisburg, PA 17105-3608	
MATERIAL: - FINISH: -		WEIGHT: - CUSTOMER DRAWING: -		NAME: HOUSING, SOCKET, 3 POWER, 24 SIGNAL NO LATCH, MINI CROWN EDGE PRODUCT SPEC: - APPLICATION SPEC: -		SIZE: A1100779 CAGE CODE: C=1926819 DRAWING NO: - RESTRICTED TO: -	
SCALE: 8:1				SHEET: 2 OF 2		REV: A	