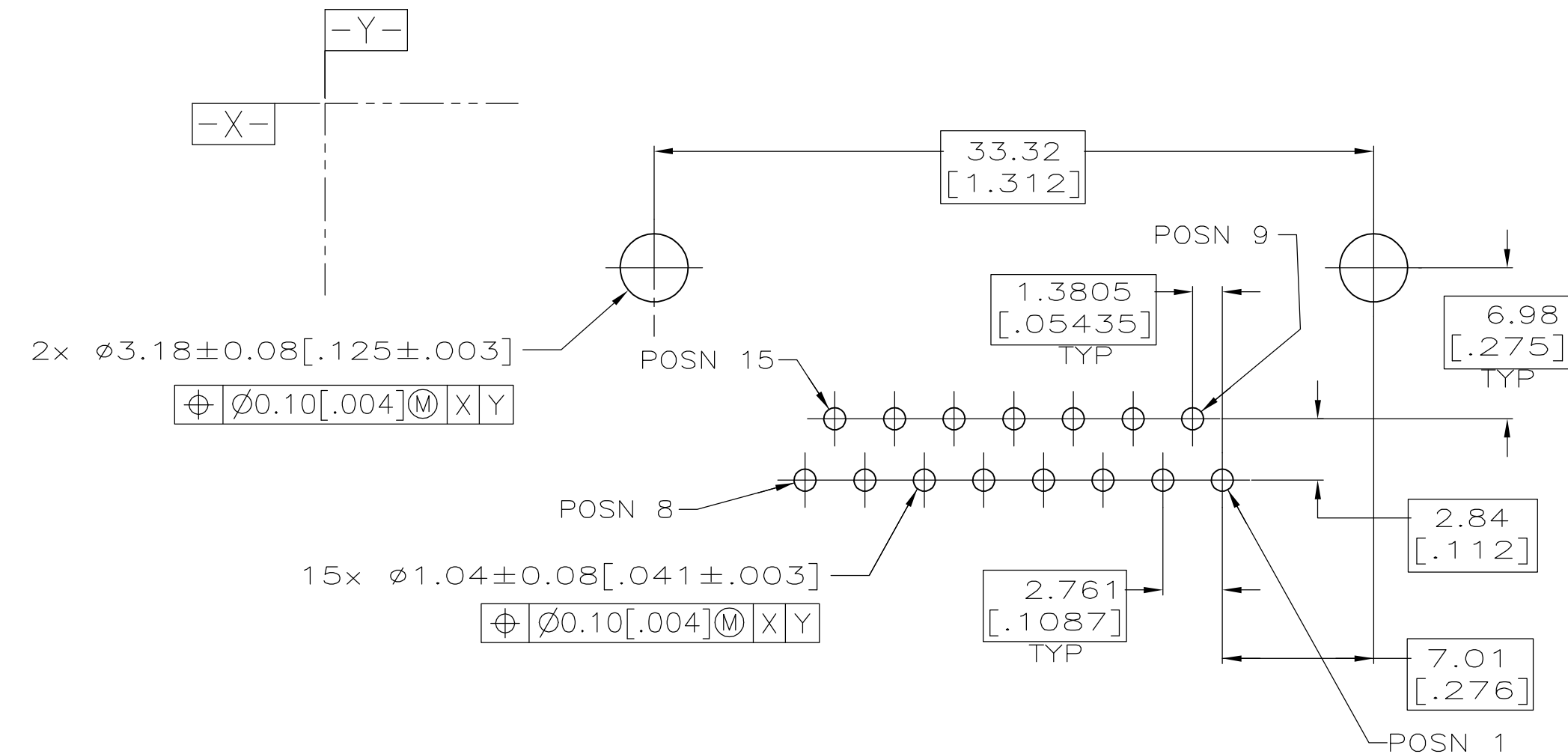
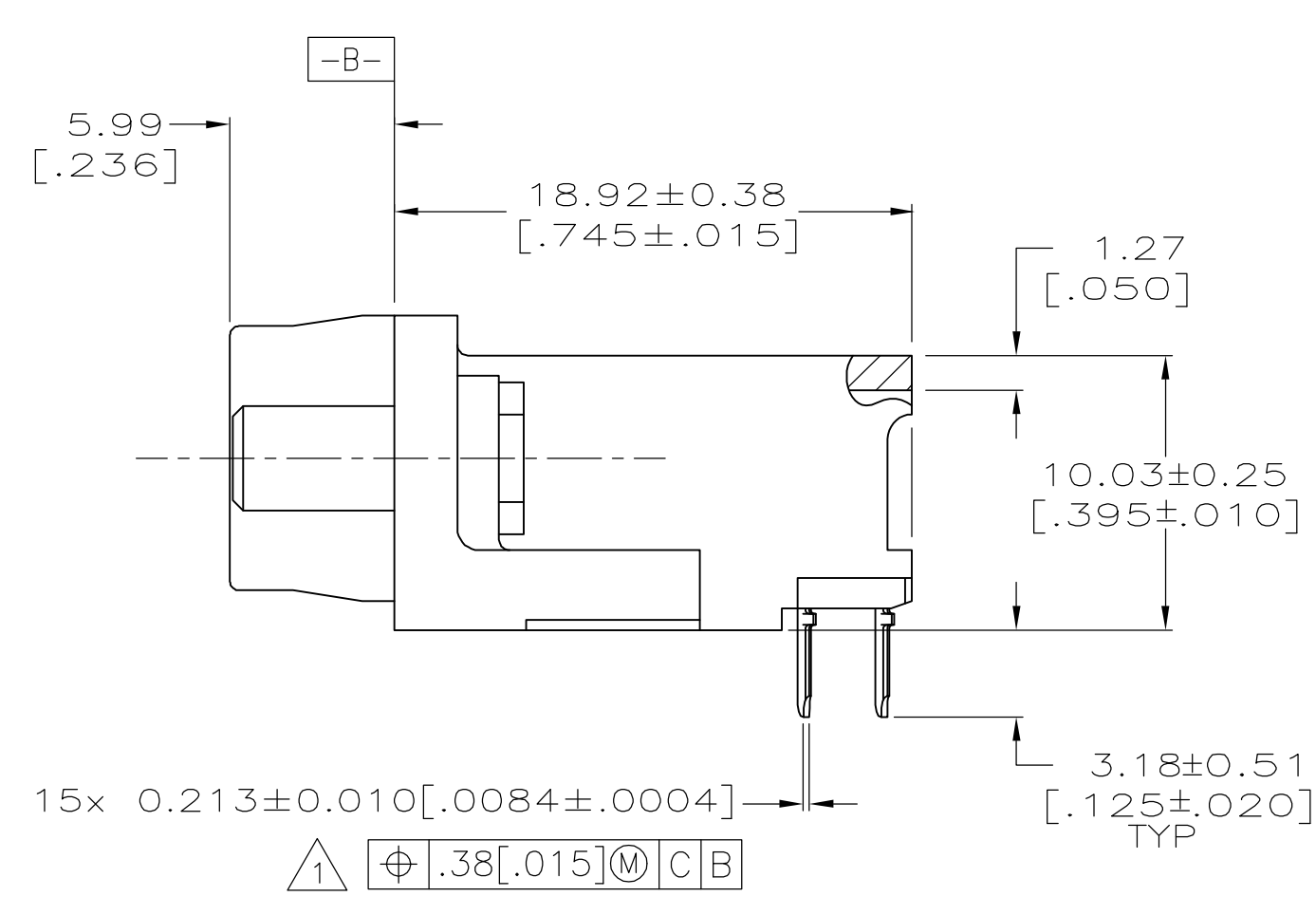
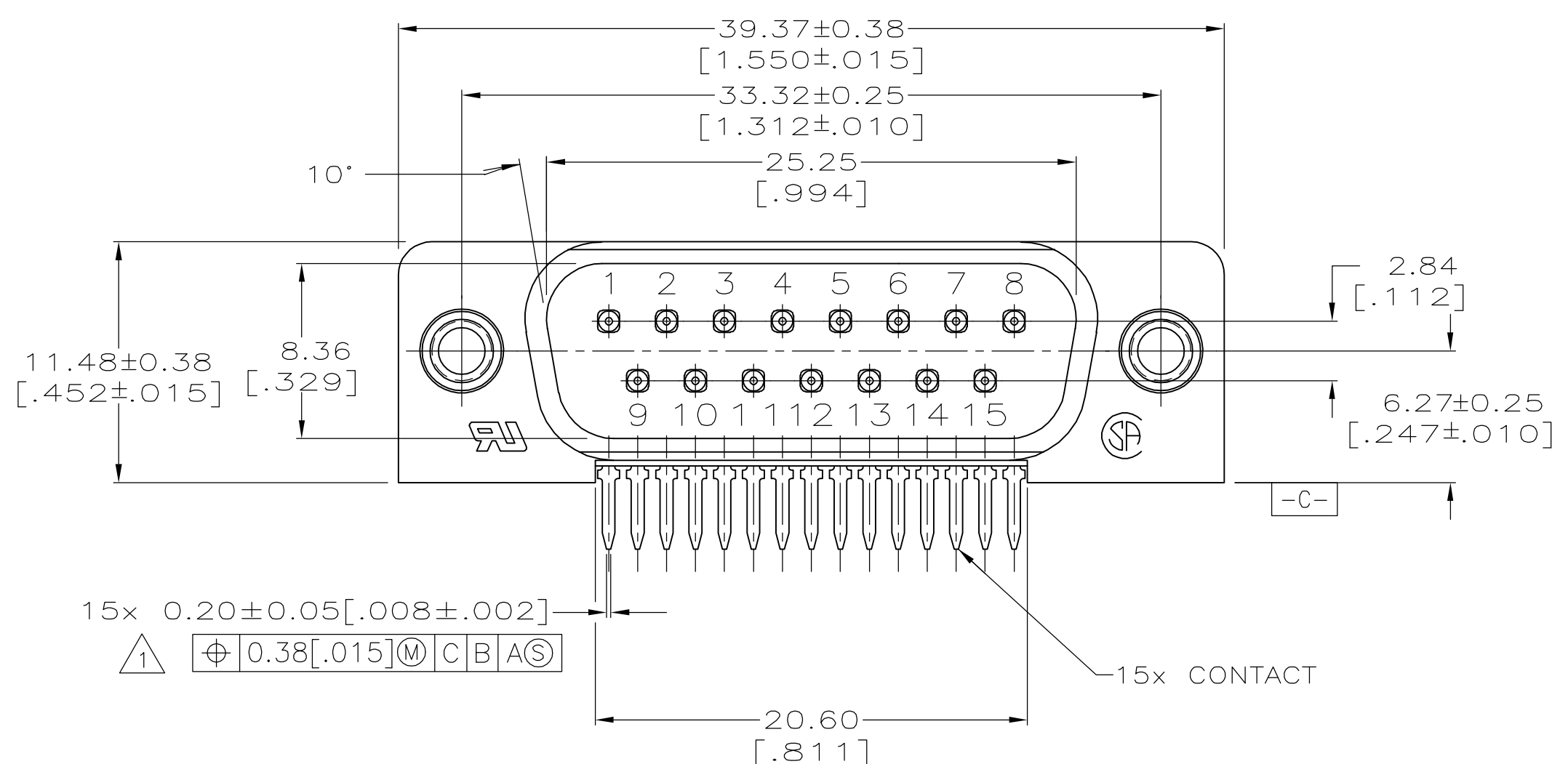


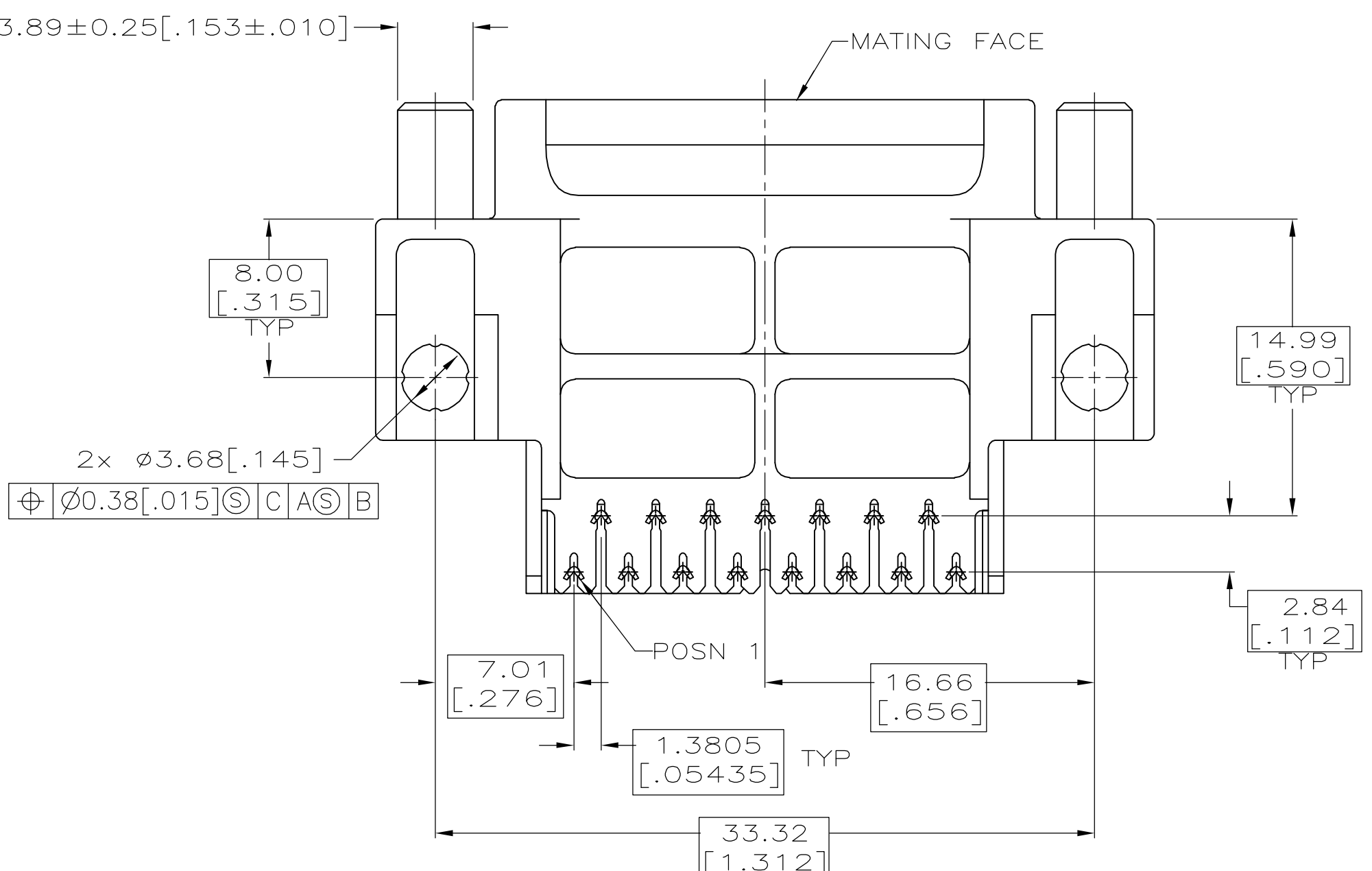
TYCO, PART NO & DATE CODE, MARKED IN AREA INDICATED



PC BOARD MOUNTING DIMENSIONS



- 1 POSITION TOLERANCE APPLIES AT TIP ONLY.
- 2 HOUSING: FLAME RETARDANT UL94-V RATED, GLASS FILLED NYLON OR POLYESTER, COLOR BLACK. CONTACTS: BRASS. SCREWLOCKS: ZINC.
- 3 CONTACTS: GOLD PLATED FOR A LENGTH OF 3.81 [.150] MIN FROM MATING END, 0.76 µm [.000030] MIN GOLD IN MATED AREA, 2.54 µm [.0001] MIN TIN FOR A LENGTH OF 3.68 [.145] FROM OPPOSITE END, BOTH OVER 1.27 µm [.000050] MIN NICKEL. SCREWLOCKS: CLEAR CHROMATE COATING.



**COPYRIGHT 2005  
 TYCO ELECTRONICS CORP  
 ALL RIGHTS RESERVED**

THIS DRAWING IS A CONTROLLED DOCUMENT.		DWN G. PETERS 22SEP05		Tyco Electronics Corporation Harrisburg, PA 17105-3608	
DIMENSIONS: mm [INCHES]		CHK S. BOLASH 22SEP05		PRODUCT SPEC 108-1226	PLUG ASSEMBLY, SIZE 2, 15 POSN. ALL PLASTIC, RIGHT ANGLE, .590 SERIES, AMPLIMITE III
TOLERANCES UNLESS OTHERWISE SPECIFIED:		APVD M. WALMSLEY 22SEP05	APPLICATION SPEC 114-40027	SIZE A1	CAGE CODE 00779
MATERIAL		FINISH	WEIGHT	SCALE 4:1	SHEET 1 OF 1
CUSTOMER DRAWING		DRAWING NO 5748952		RESTRICTED TO	