

175193-1 ✓ ACTIVE

Positive Lock | Positive Lock 187

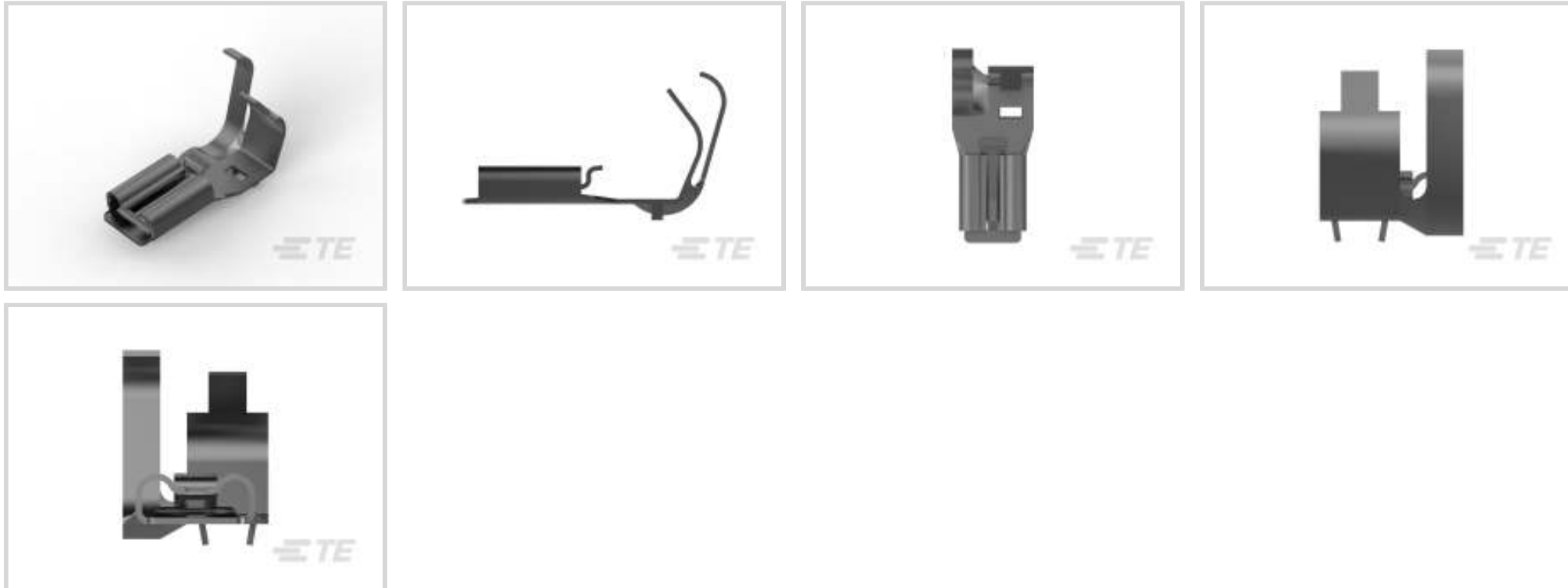
TE Internal #: 175193-1

Quick Disconnects, Receptacle, 22 – 16 AWG Wire Size, .32 – 1.31 mm² Wire Size, Mating Tab Width 4.75 mm [.187 in], Flag, Brass, Positive Lock 187

[View on TE.com >](#)



Terminals & Splices > Quick Disconnects



Quick Disconnect Terminal Type: **Receptacle**

Wire Size: .32 – 1.31 mm²

Mating Tab Width: 4.75 mm [.187 in]

Mating Tab Thickness: .81 mm [.032 in]

Features

Configuration Features

Connection Capacity	Single
Compatible With Wire & Cable Type	Discrete Wire

Electrical Characteristics

Voltage Rating	250 V
----------------	-------

Contact Features

Quick Disconnect Terminal Type	Receptacle
Mating Tab Width	4.75 mm [.187 in]
Mating Tab Thickness	.81 mm [.032 in]
Terminal Orientation	Flag
Contact Base Material	Brass
Terminal Plating Material	Pre-Tin
Crimp Type	F-Crimp
Barrel Type	Open

Termination Features

--	--



Product Terminates To	Wire & Cable
-----------------------	--------------

Mechanical Attachment

Wire Insulation Support	With
-------------------------	------

Dimensions

Terminal Material Thickness	.3 mm[.012 in]
Product Length	15.9 mm[.625 in]
Compatible Insulation Diameter Range	1.5 – 4.32 mm[.059 – .17 in]
Wire Size	.32 – 1.31 mm ²

Usage Conditions

Insulation Option	Uninsulated
Operating Temperature Range	-40 – 110 °C[-40 – 230 °F]

Packaging Features

Packaging Quantity	4000
Packaging Method	Strip/Reel

Product Compliance

[For compliance documentation, visit the product page on TE.com>](#)

EU RoHS Directive 2011/65/EU	Compliant
EU ELV Directive 2000/53/EC	Compliant
China RoHS 2 Directive MIIT Order No 32, 2016	No Restricted Materials Above Threshold
EU REACH Regulation (EC) No. 1907/2006	Current ECHA Candidate List: JUNE 2023 (235) Candidate List Declared Against: JAN 2023 (233) Does not contain REACH SVHC
Halogen Content	Low Halogen - Br, Cl, F, I < 900 ppm per homogenous material. Also BFR/CFR/PVC Free
Solder Process Capability	Not reviewed for solder process capability

Product Compliance Disclaimer

This information is provided based on reasonable inquiry of our suppliers and represents our current actual knowledge based on the information they provided. This information is subject to change. The part numbers that TE has identified as EU RoHS compliant have a maximum concentration of 0.1% by weight in homogenous materials for lead, hexavalent chromium, mercury, PBB, PBDE, DBP, BBP, DEHP, DIBP, and 0.01% for cadmium, or qualify for an exemption to these limits as defined in the Annexes of Directive 2011/65/EU (RoHS2). Finished electrical and electronic equipment products will be CE marked as required by Directive 2011/65/EU. Components may not be CE marked. Additionally, the part numbers that TE has identified as EU ELV compliant have a maximum concentration of 0.1% by weight in homogenous materials for lead, hexavalent chromium, and mercury, and 0.01% for cadmium, or qualify for an exemption to these limits

as defined in the Annexes of Directive 2000/53/EC (ELV). Regarding the REACH Regulation, the information TE provides on SVHC in articles for this part number is based on the latest European Chemicals Agency (ECHA) 'Guidance on requirements for substances in articles' posted at this URL: <https://echa.europa.eu/guidance-documents/guidance-on-reach>

Compatible Parts



TE Part # 2232342-1
187 PL EX FLAG REC. 22-16AWG PTBR



TE Part # 1717269-1
PL EX 187 INSULATED FLAG REC PVC V-0



TE Part # 1717269-2
PL EX 187 INSULATED FLAG REC PVC V-0



TE Part # 1743058-1
PL 187 REC 22-16 AWG 0.3 X 22.8 PTBR



TE Part # 1743221-1
250 PL EX FLAG REC. 18-12AWG PTBR



TE Part # 1855129-2
HDM w/FA EMHBPR140TAB1400 K



TE Part # 1855129-3
HDM w/FA EMHBPR140TAB1400 G



TE Part # 567405-1
M HB EMPO140T1400 T 175019



TE Part # 567405-2
HDM HB 9EMPR140T1400 K



TE Part # 567405-3
HDM*HB* 9EMPR140T1400 G




TE Part # 567405-4
HDMHB 9EAPR140T1400 G




TE Part # 1855129-1
HDM w/FA EMHBPO140TAB1400 LM

Also in the Series | Positive Lock 187



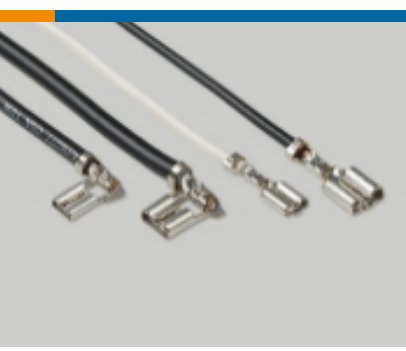
Crimp Terminal Housings(86)



Insertion & Extraction Tools(2)

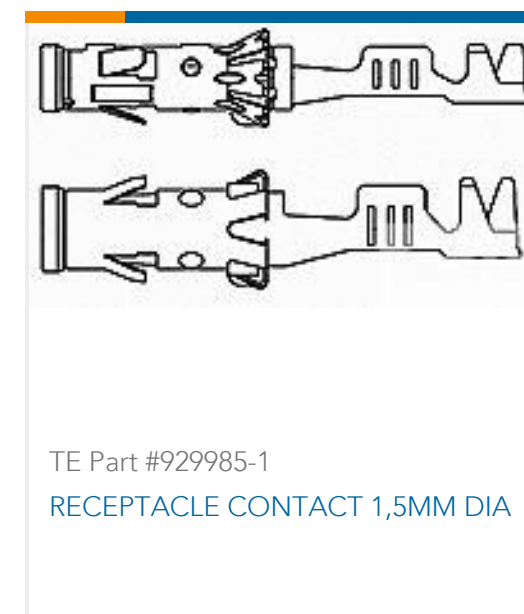
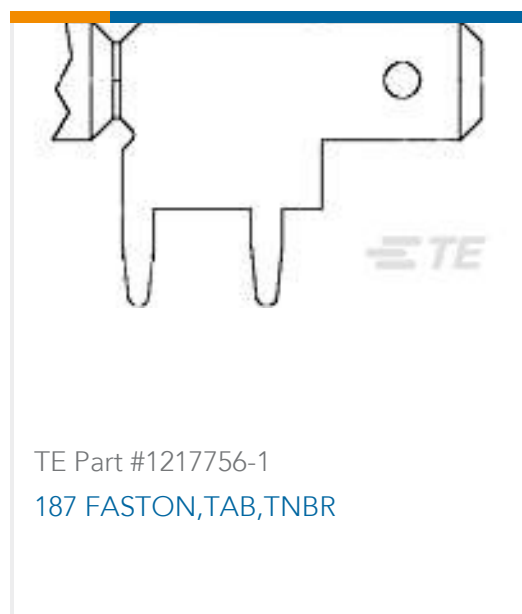


Insulation Boots & Sleeves(7)



Quick Disconnects(55)

Customers Also Bought



Documents

Product Drawings

[187 PL EX FLAG REC. 22-16AWG PTBR](#)

English

CAD Files

[3D PDF](#)

3D

Customer View Model

[ENG_CVM_CVM_175193-1_D_c-175193-1-d.2d_dxf.zip](#)

English

Customer View Model

[ENG_CVM_CVM_175193-1_D_c-175193-1-d.3d_igs.zip](#)

English

Customer View Model

[ENG_CVM_CVM_175193-1_D_c-175193-1-d.3d_stp.zip](#)

English

By downloading the CAD file I accept and agree to the [Terms and Conditions](#) of use.

Product Specifications

[Application Specification](#)

Japanese

[Crimping "187" Series Flag Type Positive Lock EX Contact](#)

Japanese

Product Environmental Compliance

[MD_175193-1_1022201827_dmtec](#)

English

175193-1

Quick Disconnects, Receptacle, 22 – 16 AWG Wire Size, .32 – 1.31 mm² Wire Size,
Mating Tab Width 4.75 mm [.187 in], Flag, Brass, Positive Lock 187



[MD_175193-1_1022201827_dmtec](#)

English