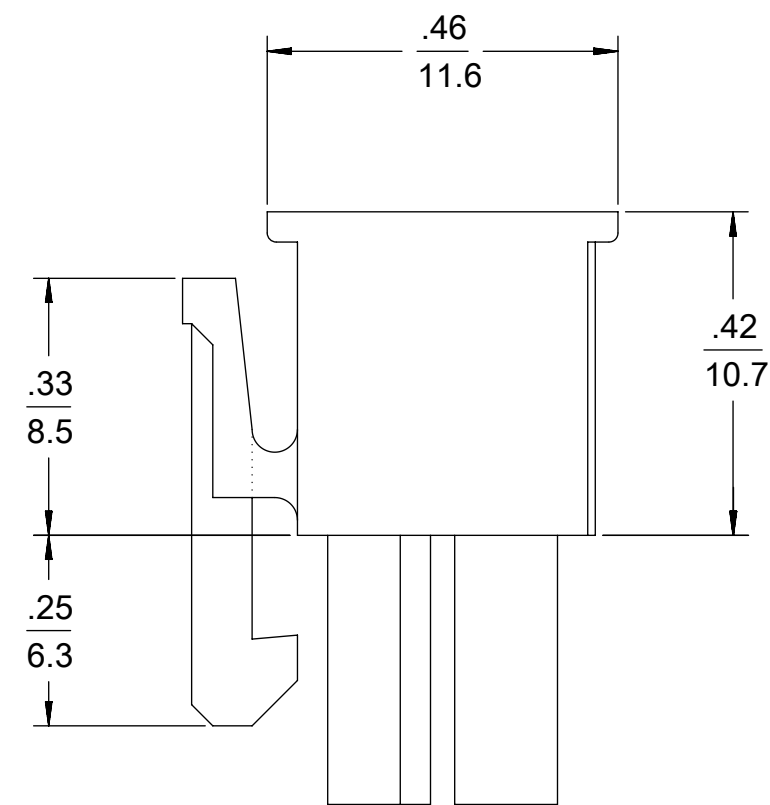
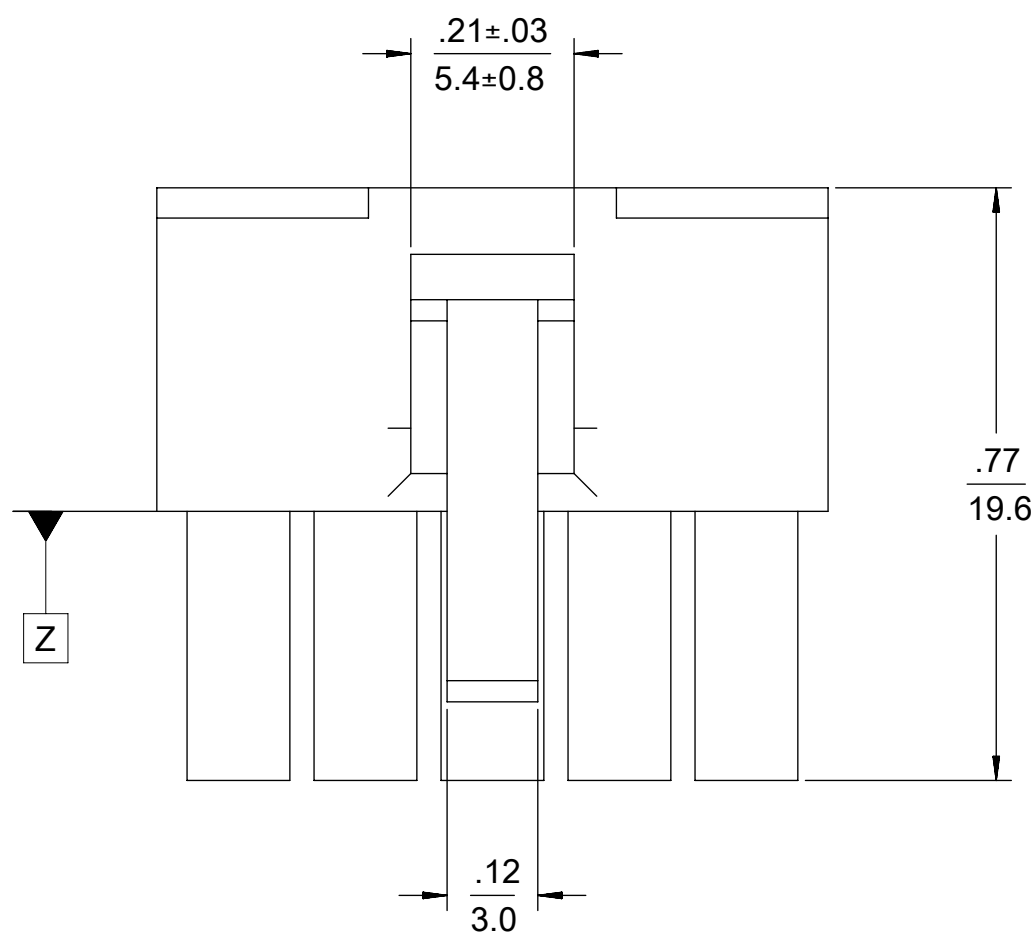


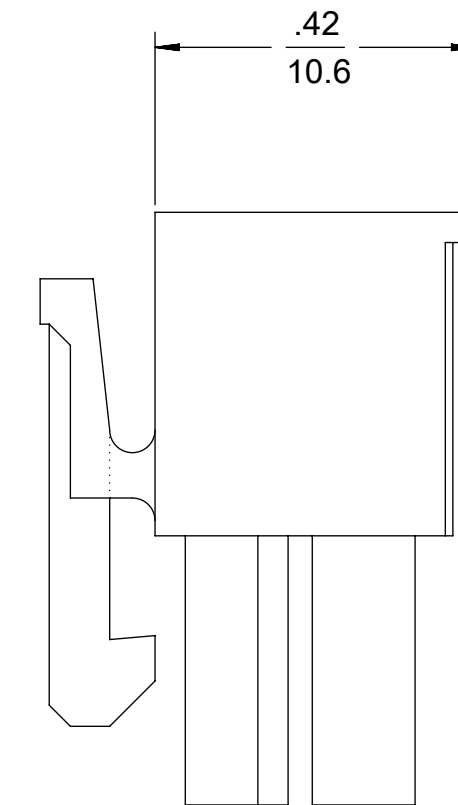
4 CKT SHOWN

NOTES:

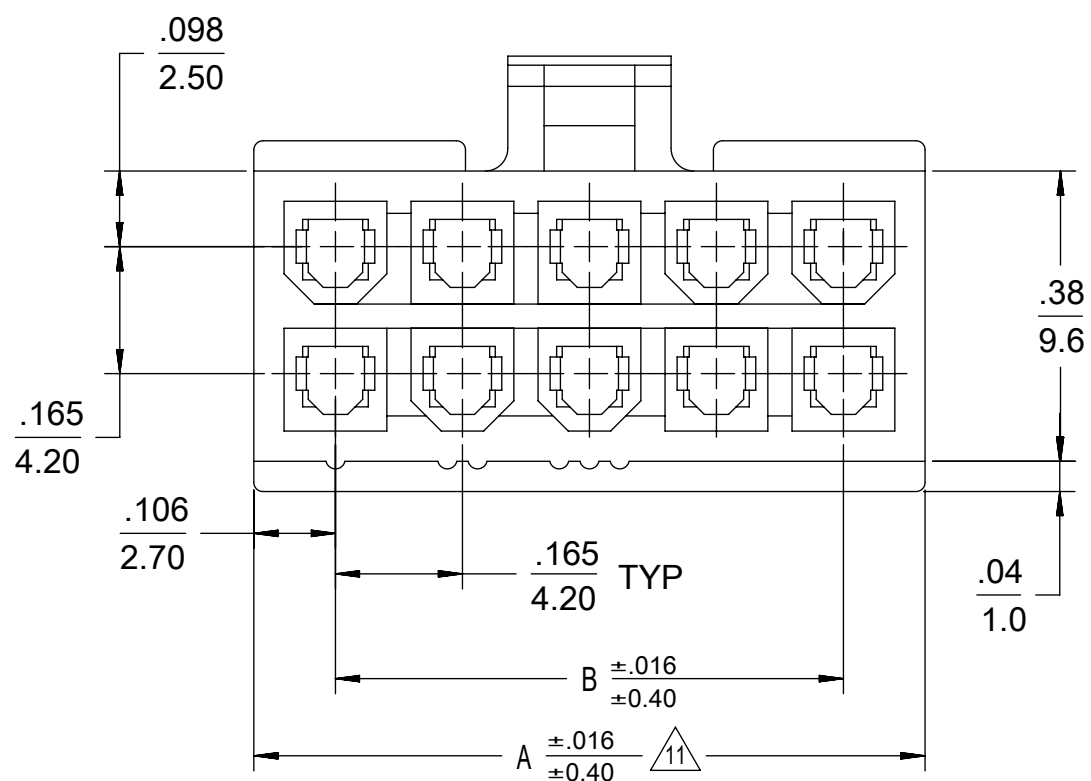
- 1) MATERIAL:
  - "BLANK" = NYLON 6/6, UNFILLED UL94V-2, COLOR: NATURAL.
  - "BL" = NYLON 6/6, UNFILLED UL94V-2, COLOR: BLACK.
  - "BU" = NYLON 6/6, UNFILLED UL94V-2, COLOR: BLUE.
  - "RE" = NYLON 6/6, UNFILLED UL94V-2, COLOR: RED.
  - "YE" = NYLON 6/6, UNFILLED UL94V-2, COLOR: YELLOW.
  - "GRE" = NYLON 6/6, UNFILLED UL94V-2, COLOR: GREEN.
  - "210" = NYLON 6/6, UNFILLED UL94V-0, COLOR: NATURAL.
  - "400" = NYLON 6/6, UNFILLED UL94V-0, COLOR: BLACK.
- 2) FINISH: NOT APPLICABLE
- 3) PRODUCT SPECIFICATION: PS-5556-001
- 4) PACKAGING: BULK PACKED PER PK-5557-002
- 5) PART MATES WITH MOLEX PLUG #5559 AND HEADERS #5566, #5569.
- 6) PART TO BE USED WITH MOLEX FEMALE TERMINAL #5556.
- 7) PART IS NOT DESIGNED FOR CURRENT SHARING.
- 8) CONNECTORS ARE NOT TO BE MATED OR UNMATED WHILE CIRCUITS ARE LIVE.
- 9) WIRES ARE TO BE DRESSED IN SUCH A MANNER TO ALLOW THE TERMINALS TO FLOAT FREELY IN THE POCKET.
- 10) PART CONFORMS TO CLASS "B" REQUIREMENTS OF COSMETIC SPECIFICATION PS-45499-002 WITH THE EXCEPTION OF DISCOLORATION, FLASH AND SINK MEET CLASS "C" REQUIREMENTS.
- 11) TO BE MEASURED AT SURFACE Z
- 12) TEXT ON PART IS FOR REFERENCE ONLY. TEXT AND TEXT LOCATION MAY VARY DEPENDING ON PART NUMBER AND/OR TOOL.
- 13) BUBBLE IS ACCEPTABLE ON LATCH AREA.



4-24 CKT



2 CKT ONLY

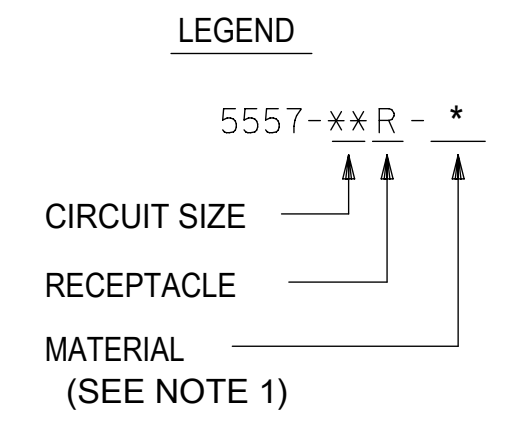
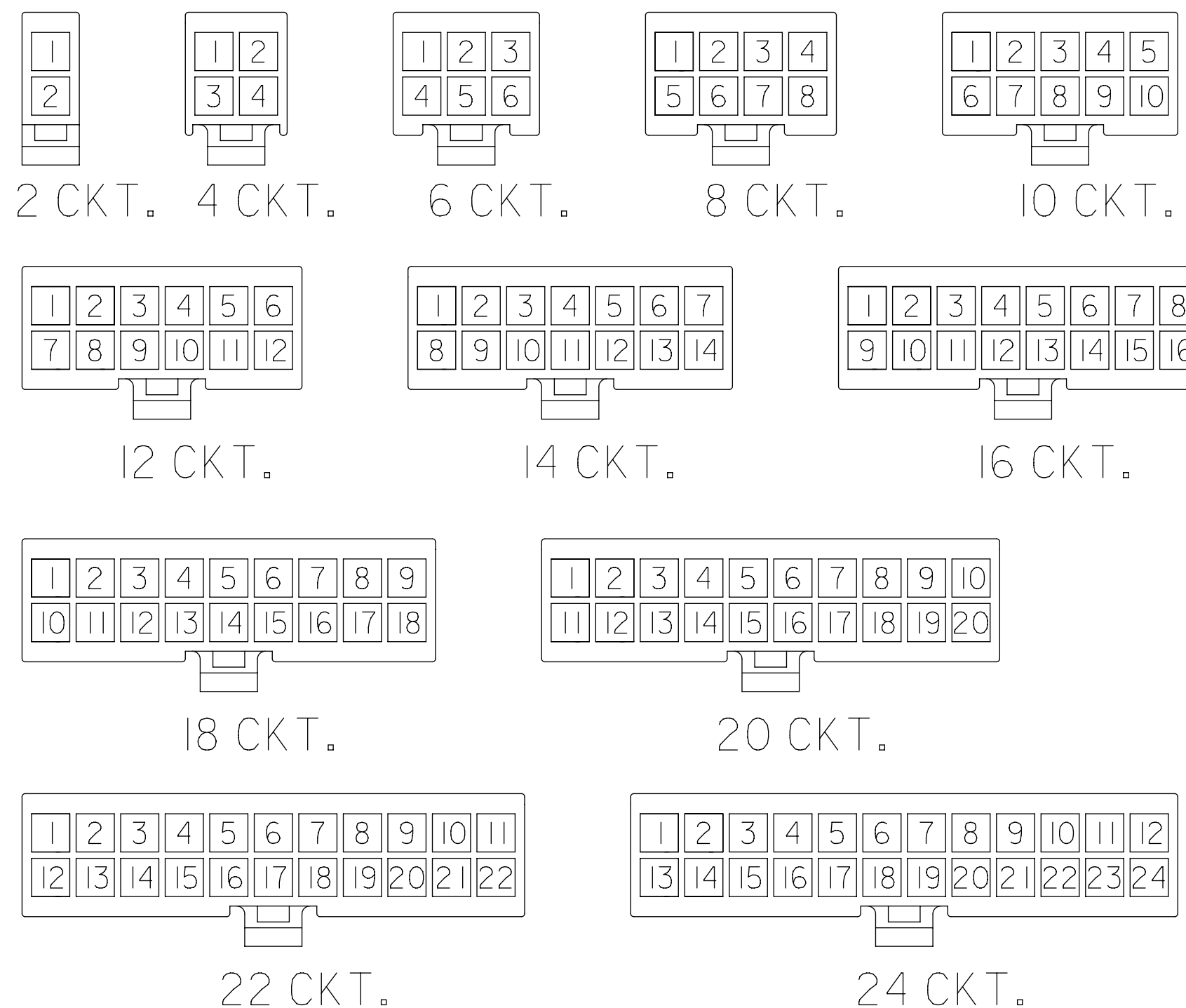


|               |               |              |
|---------------|---------------|--------------|
| 2.031/(51.60) | 1.819/(46.20) | 24           |
| 1.866/(47.40) | 1.654/(42.00) | 22           |
| 1.701/(43.20) | 1.488/(37.80) | 20           |
| 1.535/(39.00) | 1.323/(33.60) | 18           |
| 1.370/(34.80) | 1.157/(29.40) | 16           |
| 1.205/(30.60) | 0.992/(25.20) | 14           |
| 1.039/(26.40) | 0.827/(21.00) | 12           |
| 0.874/(22.20) | 0.661/(16.80) | 10           |
| 0.709/(18.00) | 0.496/(12.60) | 8            |
| 0.543/(13.80) | 0.331/(8.40)  | 6            |
| 0.378/(9.60)  | 0.165/(4.20)  | 4            |
| 0.213/(5.40)  | —+—           | 2            |
| A             | B             | NO. OF CKTS. |

THIS DRAWING CONTAINS INFORMATION THAT IS PROPRIETARY TO MOLEX ELECTRONIC TECHNOLOGIES, LLC AND SHOULD NOT BE USED WITHOUT WRITTEN PERMISSION

| DIMENSION UNITS  | SCALE                  | CURRENT REV DESC: | molex  |                |                 |
|--|------------------------|-------------------|--|----------------|-----------------|
| INCH   | NTS                    |                   | MINIFIT JR<br>RECEPTACLE HOUSING DUAL ROW 2-24 CKT |                |                 |
| GENERAL TOLERANCES (UNLESS SPECIFIED)                      |                        |                   | PRODUCT CUSTOMER DRAWING                           |                |                 |
|  | MM                     | INCH              | DOCUMENT NUMBER                                    | DOC TYPE       | DOC PART        |
| 4 PLACES   | ±                      | ±                 | SD-5557-003  | PSD            | 000             |
| 3 PLACES   | ±                      | ± 0.01            |  |                |                 |
| 2 PLACES   | ± 0.25                 | ± 0.015           | SHEET NUMBER                                       |                |                 |
| 1 PLACE  | ± 0.38                 | ±                 | SEE TABLE  | GENERAL MARKET | 1 OF 2          |
| 0 PLACES   | ±                      | ±                 |  |                |                 |
| ANGULAR TOL  | ± 0.5 °                |                   |  |                |                 |
| DRAFT WHERE APPLICABLE<br>MUST REMAIN<br>WITHIN DIMENSIONS | THIRD ANGLE PROJECTION |                   | DRAWING  | SERIES         | MATERIAL NUMBER |
|  | C-SIZE                 |                   | 5557   | 5557           | 5557            |

EC NO: 719028  
 DRWN: JERRYW8 2022/08/22  
 CHK'D: XQZHANG 2022/09/01  
 APPR: XQZHANG 2022/09/01  
 INITIAL REVISION:  
 DRWN: S.MOCHIZUKI 1990/02/22  
 APPR: FSMITH 2011/02/21



**CIRCUIT SIZE LAYOUT  
(NOT TO SCALE)**

| V-0 (BLACK) |              |              | V-0 (NATURAL) |              |              |
|-------------|--------------|--------------|---------------|--------------|--------------|
| 39-03-9242  | 5557-24R-400 | 24           | 39-01-2245    | 5557-24R-210 | 24           |
| -           | -            | 22           | 39-01-2225    | 5557-22R-210 | 22           |
| -           | -            | 20           | 39-01-2205    | 5557-20R-210 | 20           |
| 39-03-9182  | 5557-18R-400 | 18           | 39-01-2185    | 5557-18R-210 | 18           |
| 39-03-9162  | 5557-16R-400 | 16           | 39-01-2165    | 5557-16R-210 | 16           |
| 39-03-9142  | 5557-14R-400 | 14           | 39-01-2145    | 5557-14R-210 | 14           |
| 39-03-9122  | 5557-12R-400 | 12           | 39-01-2125    | 5557-12R-210 | 12           |
| 39-03-9102  | 5557-10R-400 | 10           | 39-01-2105    | 5557-10R-210 | 10           |
| 39-03-9082  | 5557-08R-400 | 8            | 39-01-2085    | 5557-08R-210 | 8            |
| 39-03-9062  | 5557-06R-400 | 6            | 39-01-2065    | 5557-06R-210 | 6            |
| 39-03-9042  | 5557-04R-400 | 4            | 39-01-2045    | 5557-04R-210 | 4            |
| 39-03-9022  | 5557-02R-400 | 2            | 39-01-2025    | 5557-02R-210 | 2            |
| EDP. NO.    | ENG. NO.     | NO. OF CKTS. | EDP. NO.      | ENG. NO.     | NO. OF CKTS. |

\* = CONSULT FACTORY FOR AVAILABILITY.

| V-2 (BLUE) |            |              | V-2 (GREEN) |          |              | V-2 (YELLOW) |          |              | V-2 (RED)    |             |              | V-2 (BLACK) |             |              | V-2 (NATURAL) |          |              |
|------------|------------|--------------|-------------|----------|--------------|--------------|----------|--------------|--------------|-------------|--------------|-------------|-------------|--------------|---------------|----------|--------------|
|            |            | 24           |             |          | 24           |              |          | 24           | -            | -           | 24           | -           | -           | 24           | 39-01-2240    | 5557-24R | 24           |
|            |            | 22           |             |          | 22           |              |          | 22           | -            | -           | 22           | 39-01-3225  | 5557-22R-BL | 22           | 39-01-2220    | 5557-22R | 22           |
|            |            | 20           |             |          | 20           |              |          | 20           | -            | -           | 20           | -           | -           | 20           | 39-01-2200    | 5557-20R | 20           |
|            |            | 18           |             |          | 18           |              |          | 18           | -            | -           | 18           | -           | -           | 18           | 39-01-2180    | 5557-18R | 18           |
|            |            | 16           |             |          | 16           |              |          | 16           | -            | -           | 16           | -           | -           | 16           | 39-01-2160    | 5557-16R | 16           |
|            |            | 14           |             |          | 14           |              |          | 14           | -            | -           | 14           | -           | -           | 14           | 39-01-2140    | 5557-14R | 14           |
|            |            | 12           |             |          | 12           |              |          | 12           | -            | -           | 12           | 39-01-3125  | 5557-12R-BL | 12           | 39-01-2120    | 5557-12R | 12           |
| *          | 39-02-7108 | 5557-10R-BU  | 10          |          | 10           |              |          | 10           | -            | -           | 10           | 39-01-3105  | 5557-10R-BL | 10           | 39-01-2100    | 5557-10R | 10           |
|            |            | 8            |             |          | 8            |              |          | 8            | -            | -           | 8            | 39-01-3085  | 5557-08R-BL | 8            | 39-01-2080    | 5557-08R | 8            |
|            |            | 6            |             |          | 6            |              |          | 6            | 39-02-8060   | 5557-06R-RE | 6            | 39-01-3065  | 5557-06R-BL | 6            | 39-01-2060    | 5557-06R | 6            |
|            |            | 4            |             |          | 4            |              |          | 4            | * 39-02-8040 | 5557-04R-RE | 4            | 39-01-3045  | 5557-04R-BL | 4            | 39-01-2040    | 5557-04R | 4            |
|            |            | 2            |             |          | 2            |              |          | 2            | -            | -           | 2            | 39-01-3025  | 5557-02R-BL | 2            | 39-01-2020    | 5557-02R | 2            |
| EDP. NO.   | ENG. NO.   | NO. OF CKTS. | EDP. NO.    | ENG. NO. | NO. OF CKTS. | EDP. NO.     | ENG. NO. | NO. OF CKTS. | EDP. NO.     | ENG. NO.    | NO. OF CKTS. | EDP. NO.    | ENG. NO.    | NO. OF CKTS. | EDP. NO.      | ENG. NO. | NO. OF CKTS. |

THIS DRAWING CONTAINS INFORMATION THAT IS PROPRIETARY TO MOLEX ELECTRONIC TECHNOLOGIES, LLC AND SHOULD NOT BE USED WITHOUT WRITTEN PERMISSION

DIMENSION UNITS: INCH NTS SCALE

GENERAL TOLERANCES (UNLESS SPECIFIED)

|             | MM      | INCH    |
|-------------|---------|---------|
| 4 PLACES    | ±       | ±       |
| 3 PLACES    | ±       | ± 0.01  |
| 2 PLACES    | ± 0.25  | ± 0.015 |
| 1 PLACE     | ± 0.38  | ±       |
| 0 PLACES    | ±       | ±       |
| ANGULAR TOL | ± 0.5 ° |         |

DRAFT WHERE APPLICABLE MUST REMAIN WITHIN DIMENSIONS

THIRD ANGLE PROJECTION

DRAWING: C-SIZE

SERIES: 5557

CURRENT REV DESC:

EC NO: 719028  
 DRWN: JERRYW8 2022/08/22  
 CHK'D: XQZHANG 2022/09/01  
 APPR: XQZHANG 2022/09/01

INITIAL REVISION:  
 DRWN: S.MOCHIZUKI 1990/02/22  
 APPR: FSMITH 2011/02/21

**molex**

MINIFIT JR  
 RECEPTACLE HOUSING DUAL ROW 2-24 CKT

PRODUCT CUSTOMER DRAWING

DOCUMENT NUMBER: SD-5557-003  
 DOC TYPE: PSD  
 DOC PART: 000  
 REVISION: J20

MATERIAL NUMBER: SEE TABLE  
 CUSTOMER: GENERAL MARKET  
 SHEET NUMBER: 2 OF 2