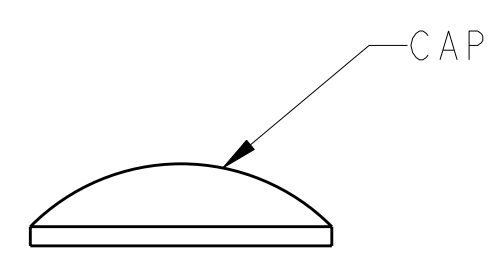
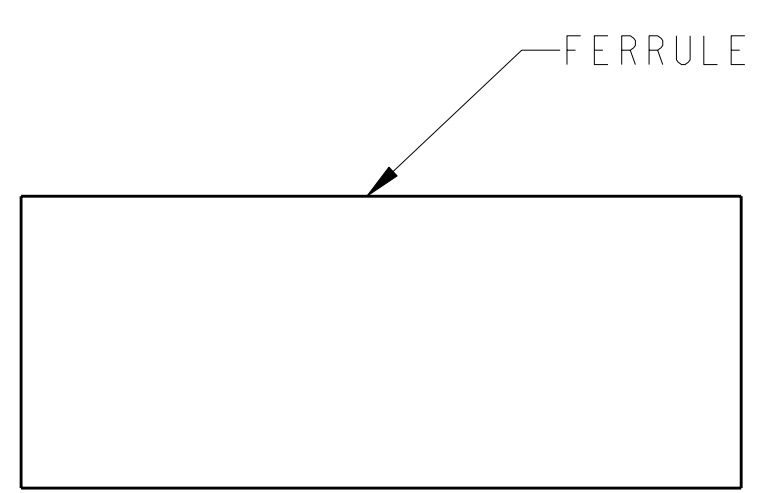
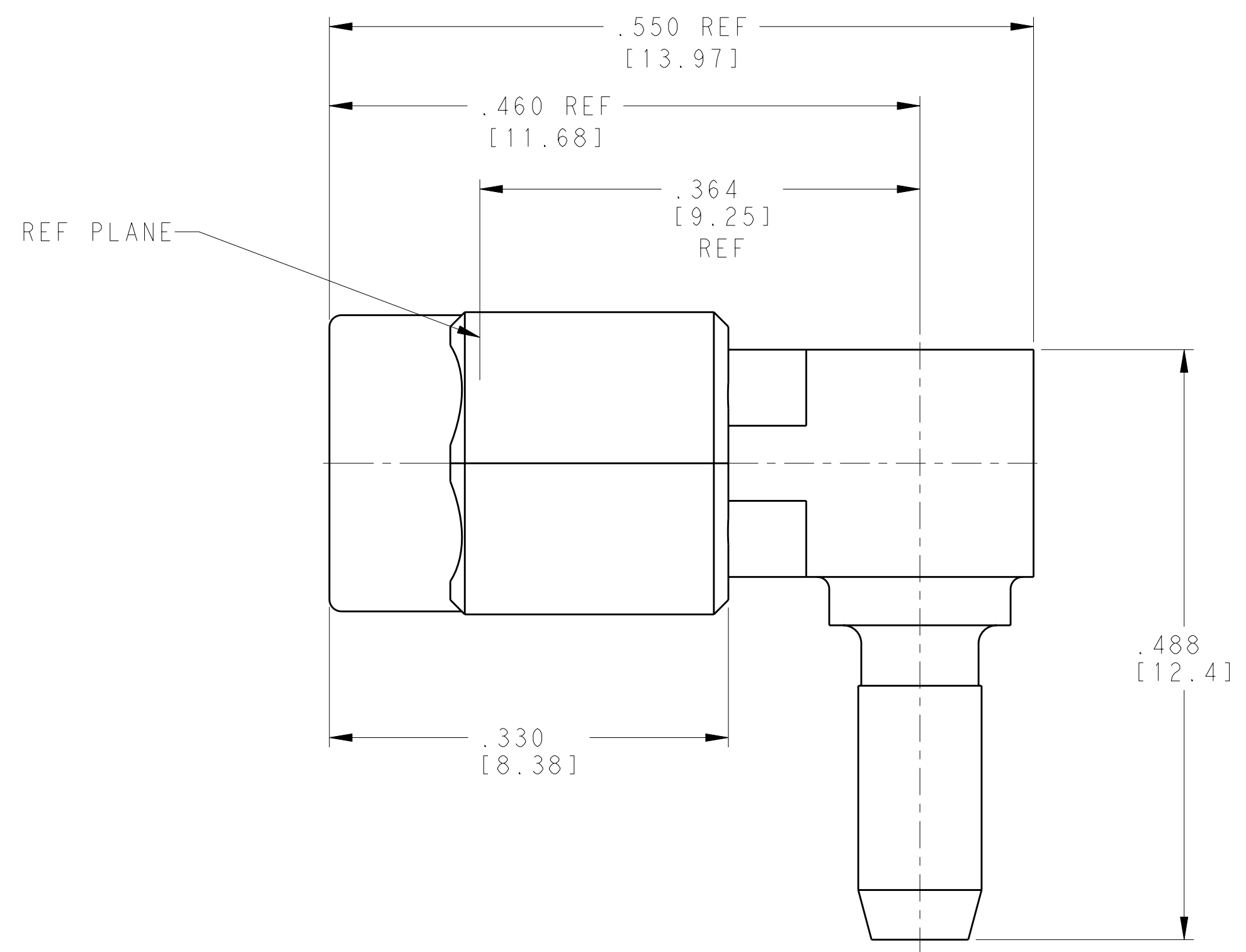


THIS DRAWING IS UNPUBLISHED. RELEASED FOR PUBLICATION  
 © COPYRIGHT BY TYCO ELECTRONICS CORPORATION. ALL INTERNATIONAL RIGHTS RESERVED.

LOC	DIST	REVISIONS			
P	LTR	DESCRIPTION	DATE	DWN	APVD
-	-	B	REV PER ECO 09-026575	12-15-09	CT DW

COMPONENT	MATERIAL	FINISH
HOUSING COUPLING NUT CAP	STAINLESS STEEL PER ASTM-A-484 OR ASTM-A-582 TYPE 303	GOLD PLATED PER ASTM-B-488
DIELECTRIC	PTFE FLUORCARBON PER ASTM-D-1457	NONE
CENTER CONTACT	BERYLLIUM COPPER PER ASTM-B-196 OR 197 ALLOY C17300, COND H	GOLD PLATED PER ASTM-B-488
RETAINING RING	BERYLLIUM COPPER PER ASTM-B-194	NONE
GASKET	SILICONE RUBBER PER ZZ-R-765	NONE
FERRULE	SOFT COPPER ALLOY	GOLD PLATED PER ASTM-B-488



THIS PRODUCT HAS NOT COMPLETED VALIDATION TESTING

AS SHOWN	2101505-1
DESCRIPTION	PART NUMBER

- DESIGNED FOR USE WITH RG179 FLEX CABLE.
- CAPTIVATED CENTER CONTACT
- CAP ANF FERRULE ARE SHIPPED UNASSEMBLED.

<small>THIS DRAWING IS A CONTROLLED DOCUMENT FOR TYCO ELECTRONICS CORPORATION. IT IS SUBJECT TO CHANGE AND THE CONTROLLING ENGINEERING ORGANIZATION SHOULD BE CONTACTED FOR THE LATEST REVISION.</small>		DWN: C.C. THOMAS 22OCT2009 CHK: D. WILSON 22OCT2009 APVD: D. WILSON 22OCT2009	Tyco Electronics Harrisburg, PA 17105-3608
DIMENSIONS: INCHES [mm]	TOLERANCES UNLESS OTHERWISE SPECIFIED: 0 PLC ± 1 PLC ± 2 PLC ± 3 PLC ±.005 [0.13] 4 PLC ± ANGLES ± FINISH	PRODUCT SPEC APPLICATION SPEC WEIGHT	NAME: SSMA PLUG ASSY, RT ANGLE CRIMP ATTACHMENT SIZE: A2 CAGE CODE: 00779 DRAWING NO: 2101505 RESTRICTED TO:
SEE TABLE	SEE TABLE	CUSTOMER DRAWING	SCALE: 10:1 SHEET 1 OF 1 REV B