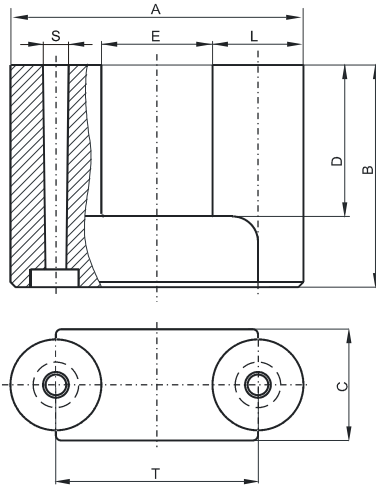


DIMENSIONS



(mm)	Nominal:	Tol. min.:	Tol. max.:
A	64.0	-1.95	+ 1.95
B	40.5	-0.2	+ 0.2
C	24.0	-0.3	+ 0.3
D	26.5	-0.4	+ 0.4
E	24.1	-0.9	+ 0.9
L	20.0	-0.4	+ 0.4
S	4.0 Min.		
T	44.0	-0.6	+ 0.6
Eff. Parameters			
Ae mm ²	Amin mm ²	le mm	Ve mm ³
290.0	290.0	210.0	61000

INDUCTANCE

AL value (nH/T ²)	Test conditions
Nom: 4098 Min.: 3074	10 kHz, < 0.5 mT, 25 °C

MARKING

0P46420UC PXXXXX

CORE LOSSES

P _i max	Test conditions
140 mW/cm ³ (8.54 W/set)	100 kHz, 100 mT, 100 °C