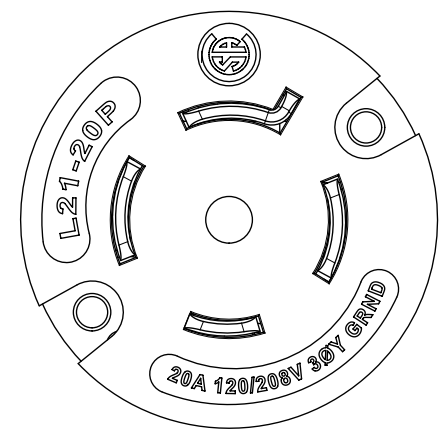
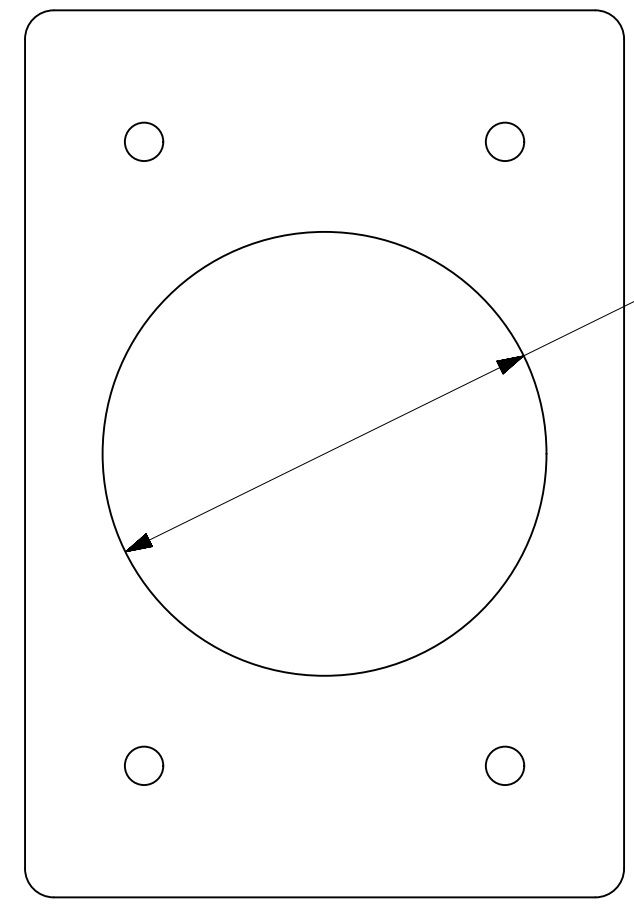
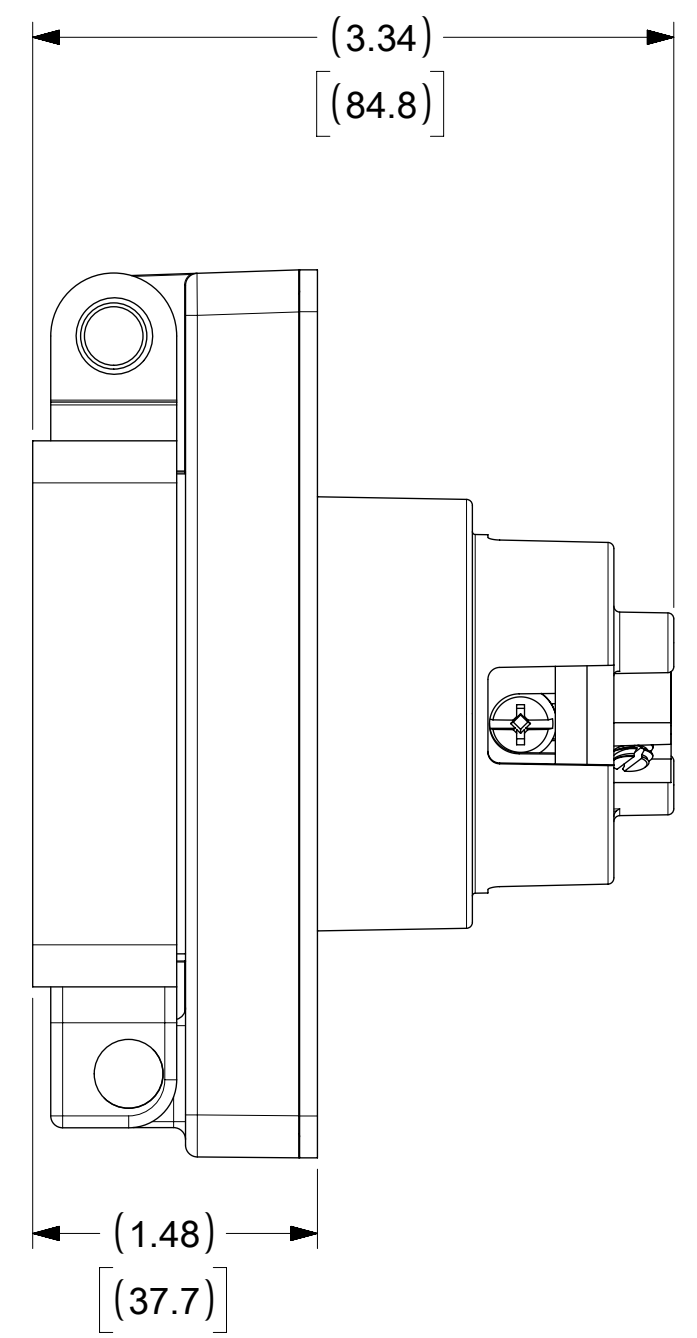
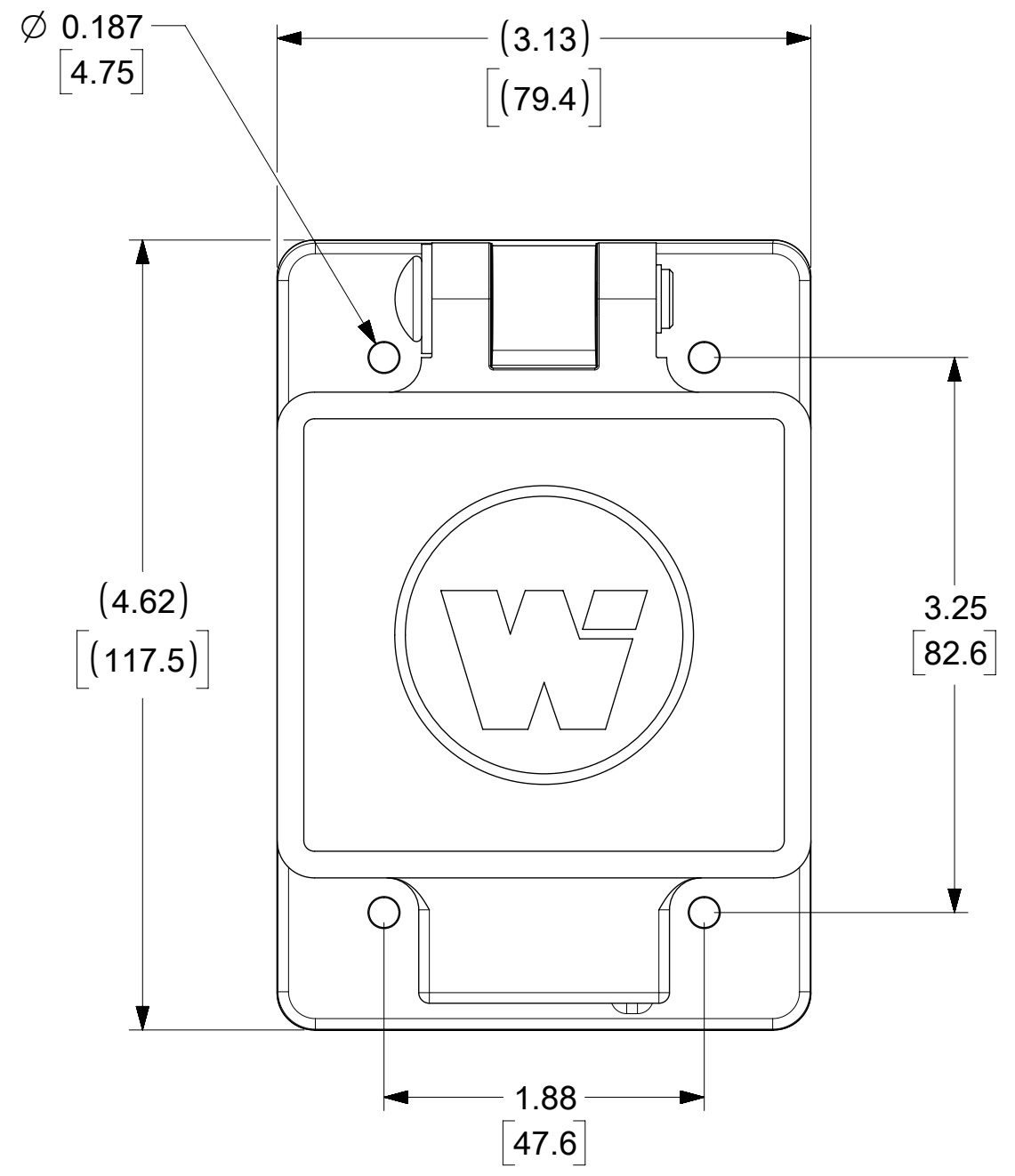
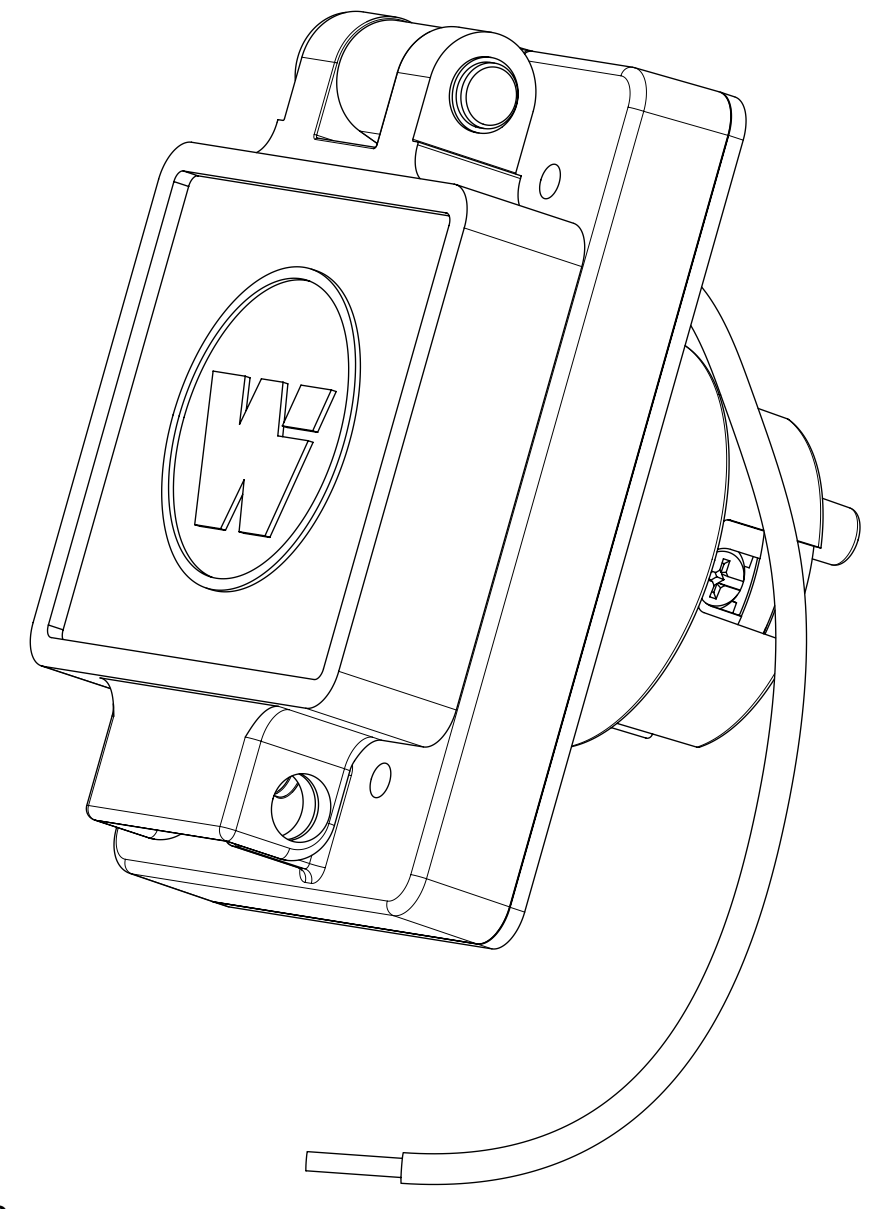


ORDER NO.	WOODHEAD NO.	COLOR
130147-0134	66W81	YELLOW



FACE VIEW



CLEARANCE HOLE (FOR PANEL MOUNT)

DESCRPITION	MATERIAL	QTY.
BLADES	BRASS, NICKEL PLATED	3
RETAINING SCREWS	STAINLESS STEEL	3
CLAMP AND TERMINAL SCREW ASSY.	BRASS, ZINC PLATED	3
MALE INSERT ASSY	NYLON	1
TERMINAL COVER	POLYCARBONATE	1
COVER ASSEMBLY	POLYCARBONATE, STAINLESS STEEL, ALUMINUM	1
GASKET FLIP	NEOPRENE	1
MOTOR BASE MTG ASSY	POLYCARBONATE, STAINLESS STEEL, BRASS	1
SCREW (GROUND WIRE)	STAINLESS STEEL	1
JUMPER WIRE ASSY	COPPER, BRASS (TINNED FINISH)	1

THIS DRAWING CONTAINS INFORMATION THAT IS PROPRIETARY TO MOLEX ELECTRONIC TECHNOLOGIES, LLC AND SHOULD NOT BE USED WITHOUT WRITTEN PERMISSION									
SYMBOLS		DIMENSION UNITS		SCALE		CURRENT REV DESC: MIGRATE TO ECTR/NX			
= 0		INCH[MM]		NTS		molex WATERTITE MOTOR BASE COVERPLATE 4P5W L21-20 PRODUCT CUSTOMER DRAWING			
= 0		GENERAL TOLERANCES (UNLESS SPECIFIED)							
= 0		MM		INCH					
= 0		4 PLACES		±		EC NO: 613843			
= 0		3 PLACES		±		DRWN: SRPATIL 2018/12/21			
= 0		2 PLACES		±		CHK'D: DNGUYEN62 2019/03/15			
= 0		1 PLACE		±		APPR: HKNEELAND 2019/03/22			
= 0		0 PLACES		±		INITIAL REVISION:			
= 0		ANGULAR TOL		± °		DRWN: SRPATIL 2018/12/21			
= 0		DRAFT WHERE APPLICABLE MUST REMAIN WITHIN DIMENSIONS		THIRD ANGLE PROJECTION		DRAWING		SERIES	
= 0				C-SIZE		130147			
DOCUMENT STATUS		P1		RELEASE DATE		2019/03/22		18:16:51	
12		11		10		9		8	
7		6		5		4		3	
2		1		1301470134		PSD 000		A	
SEE TABLE		GENERAL MARKET		MATERIAL NUMBER		CUSTOMER		SHEET NUMBER	
								1 OF 1	