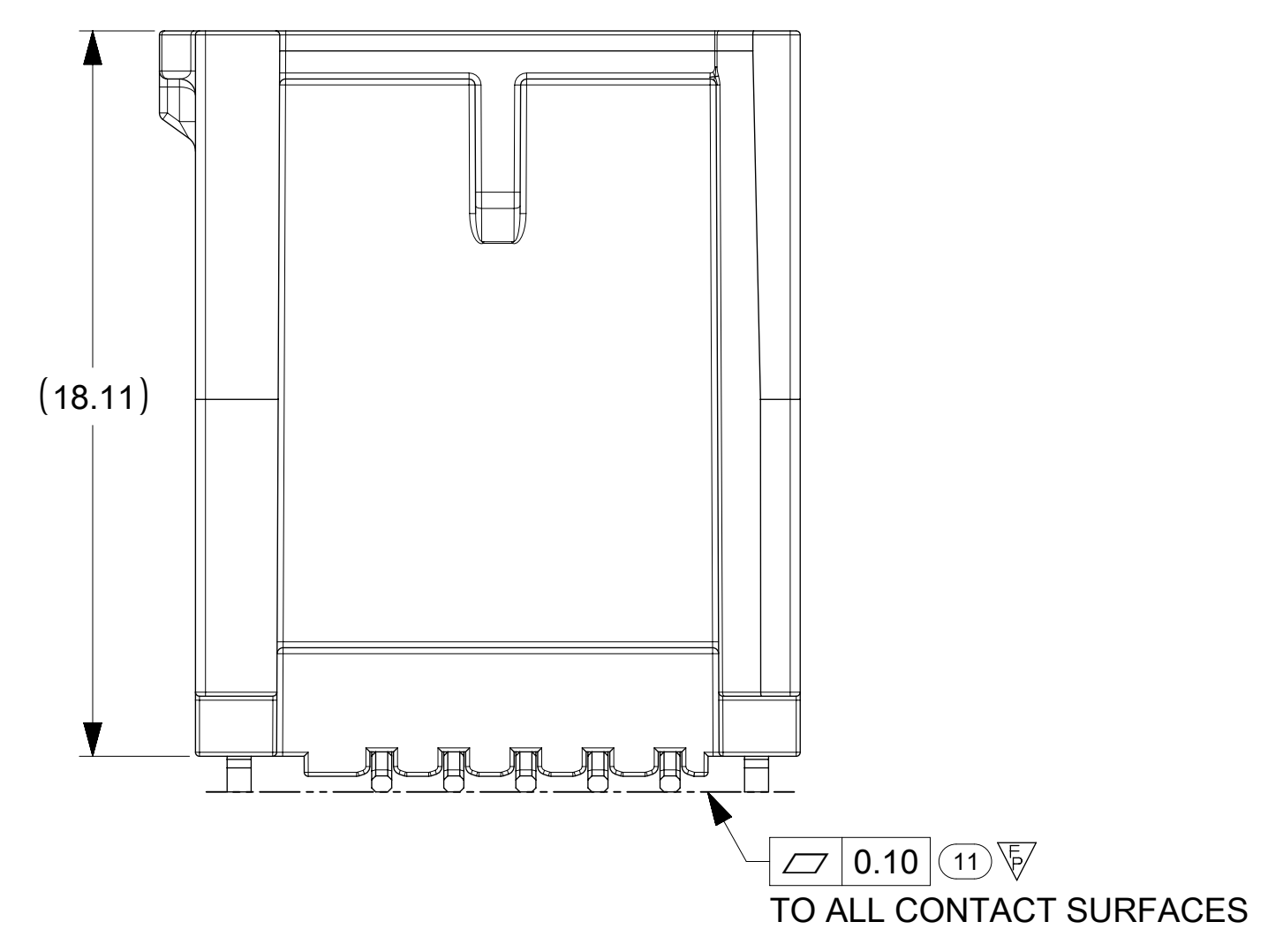
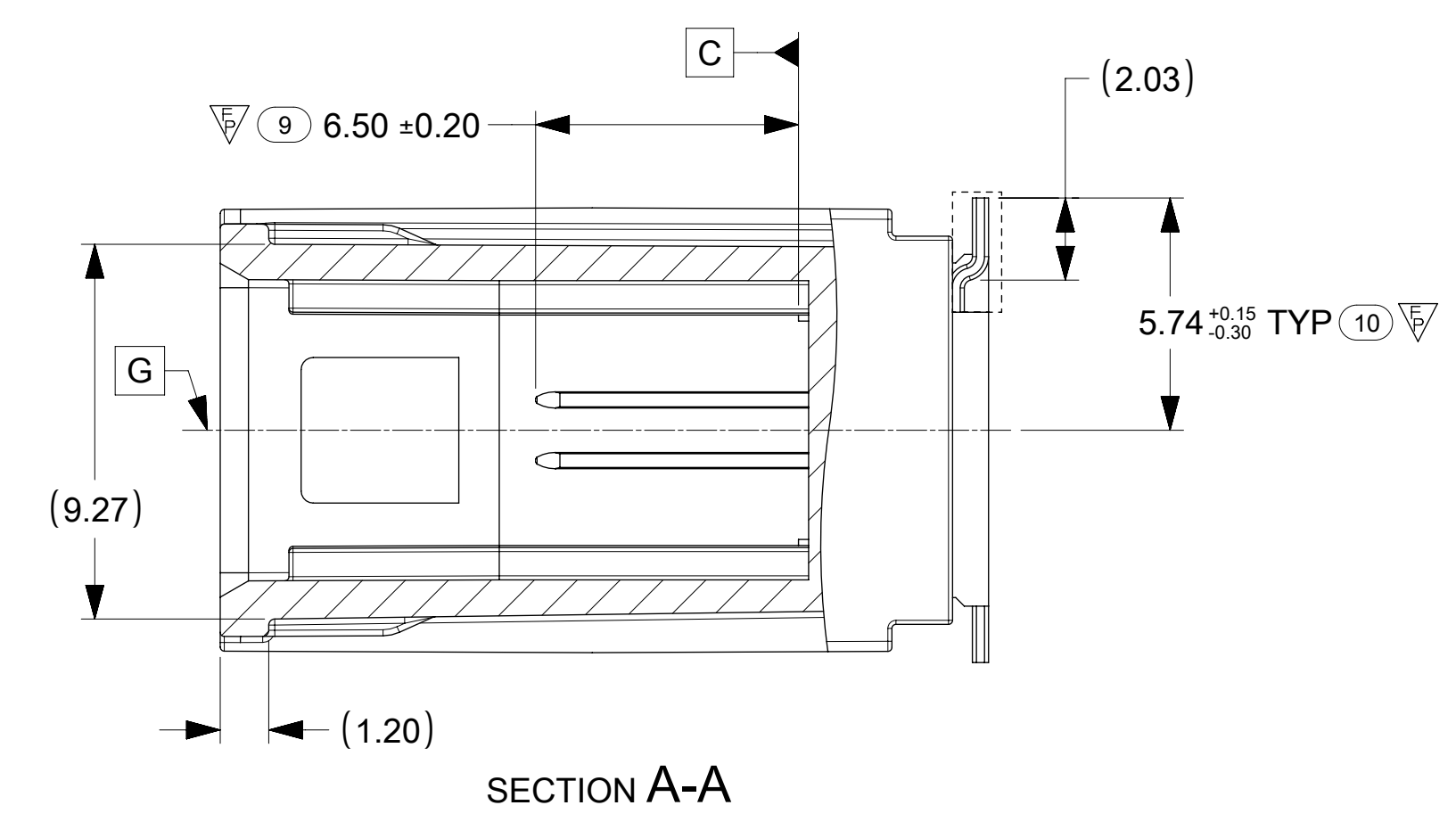
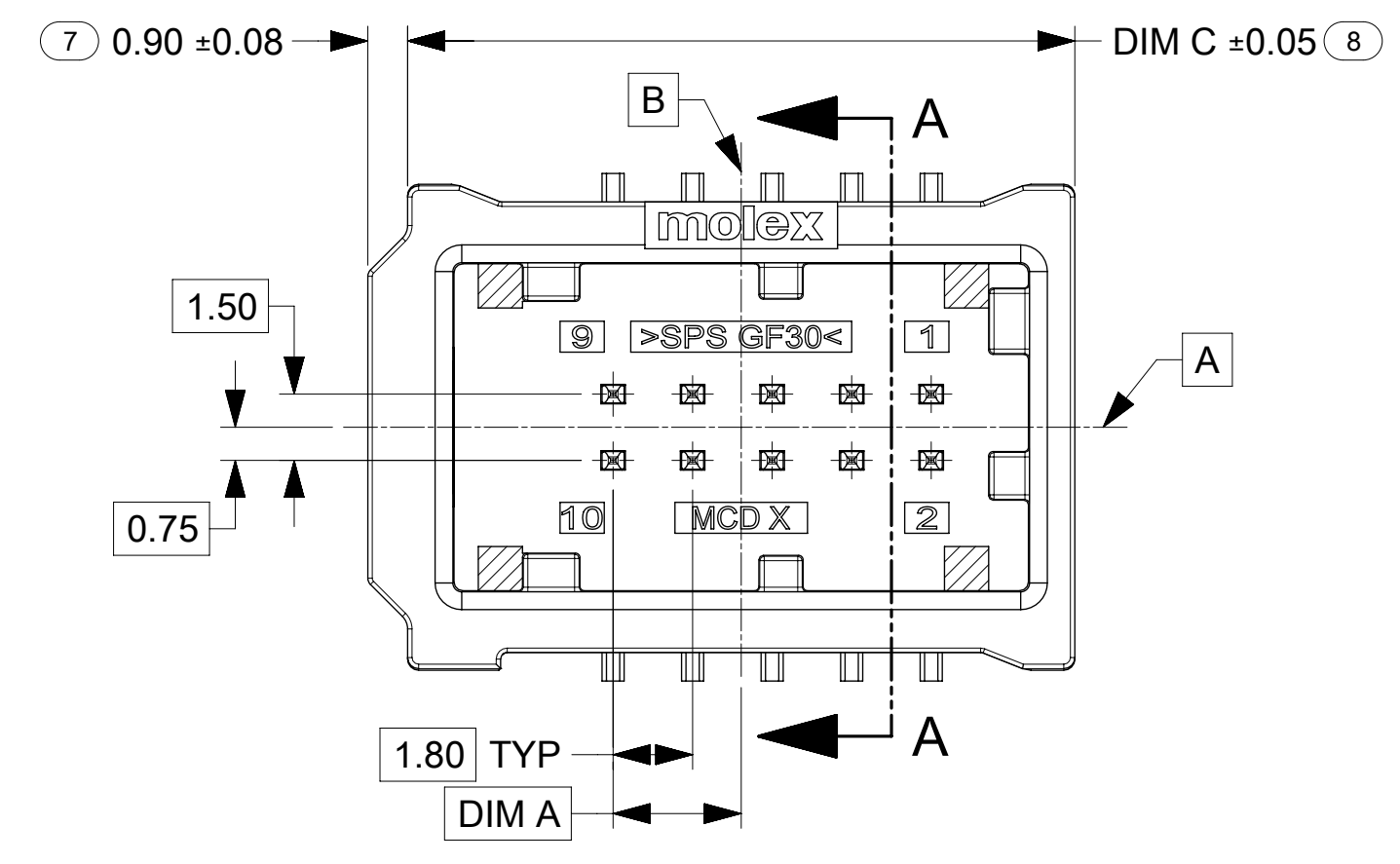
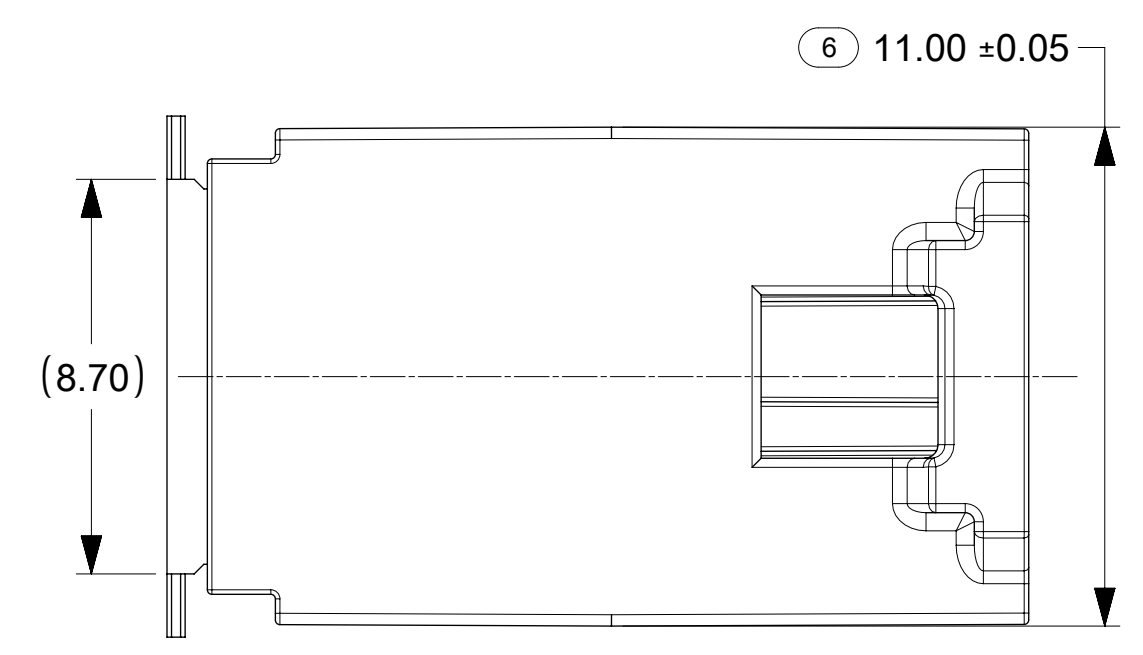
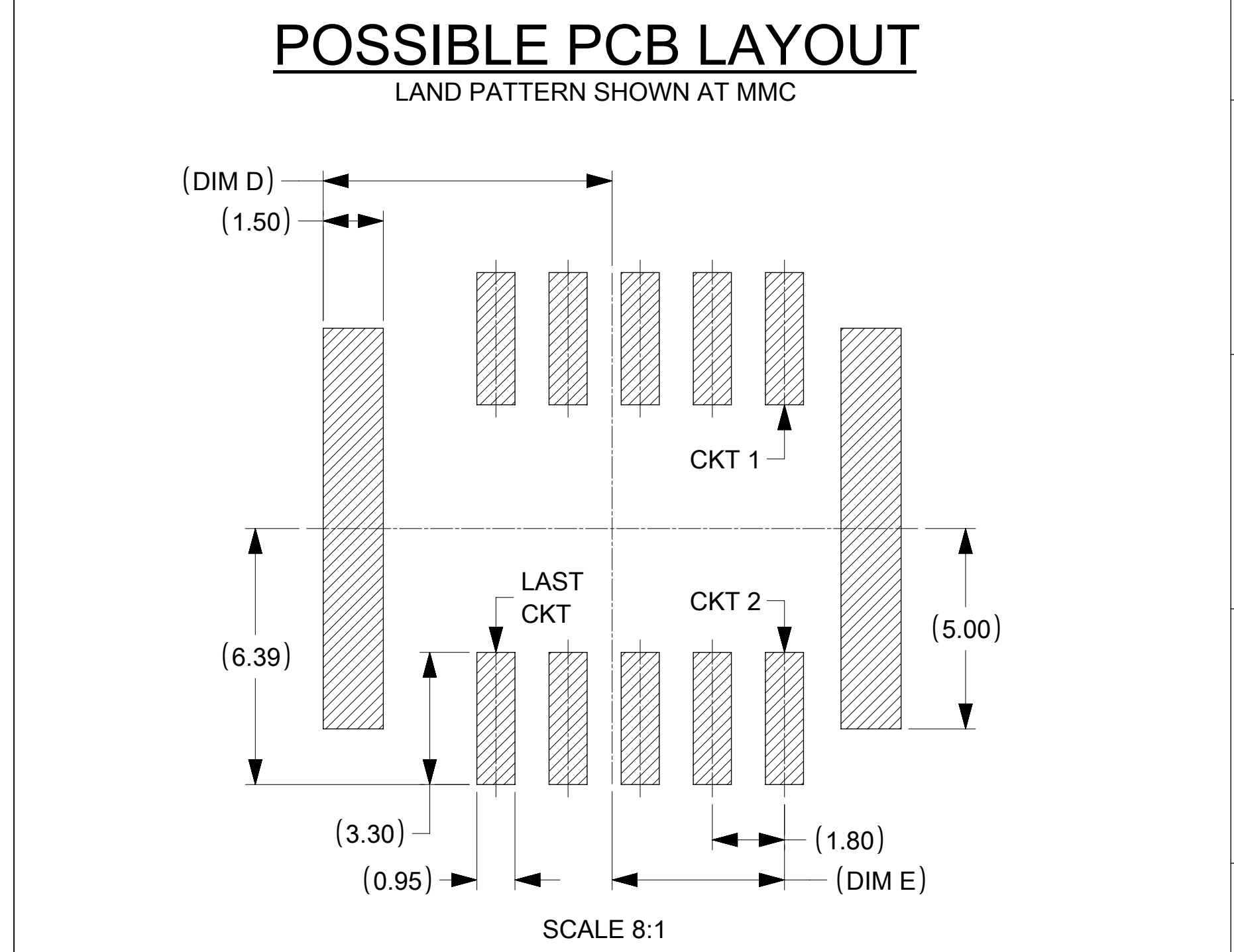
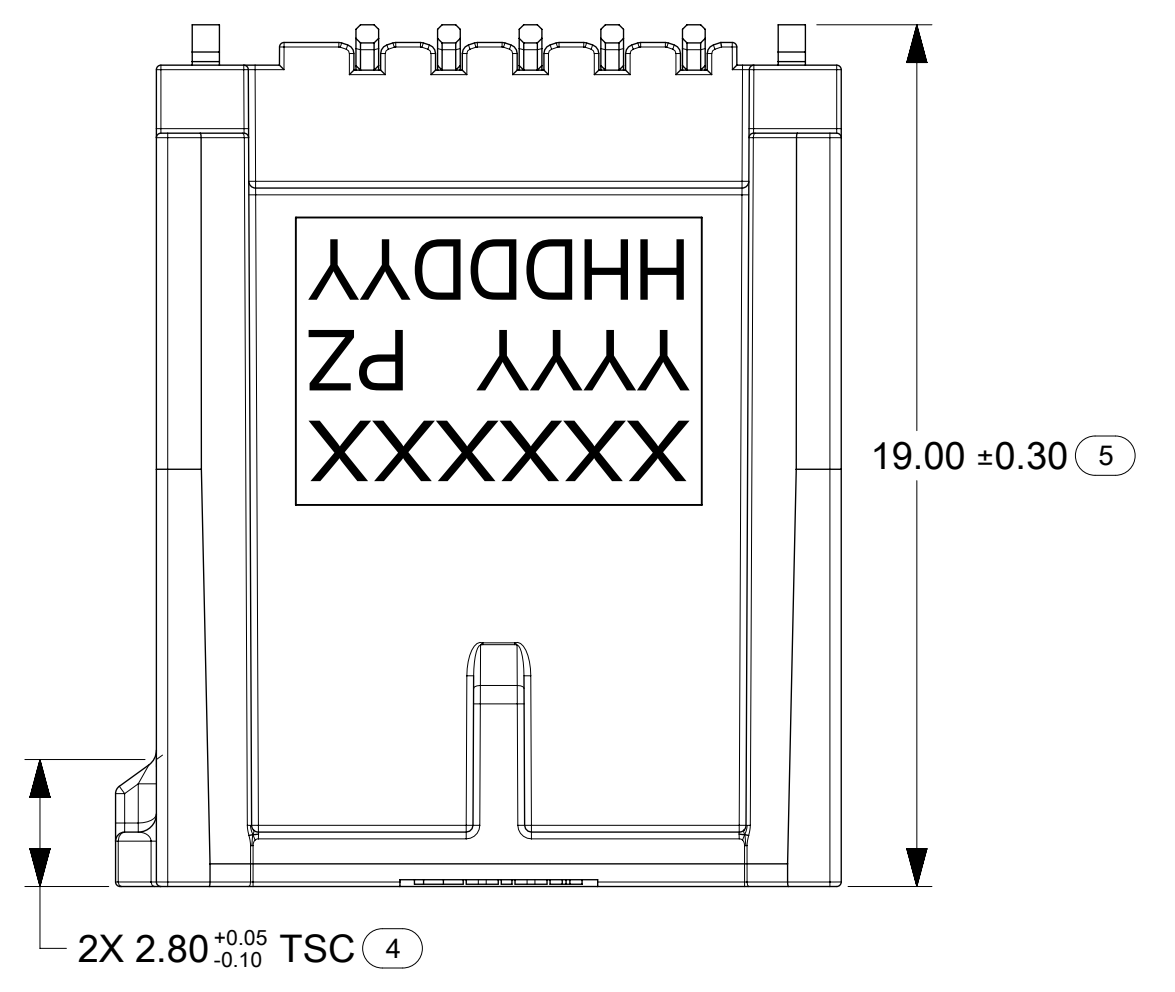
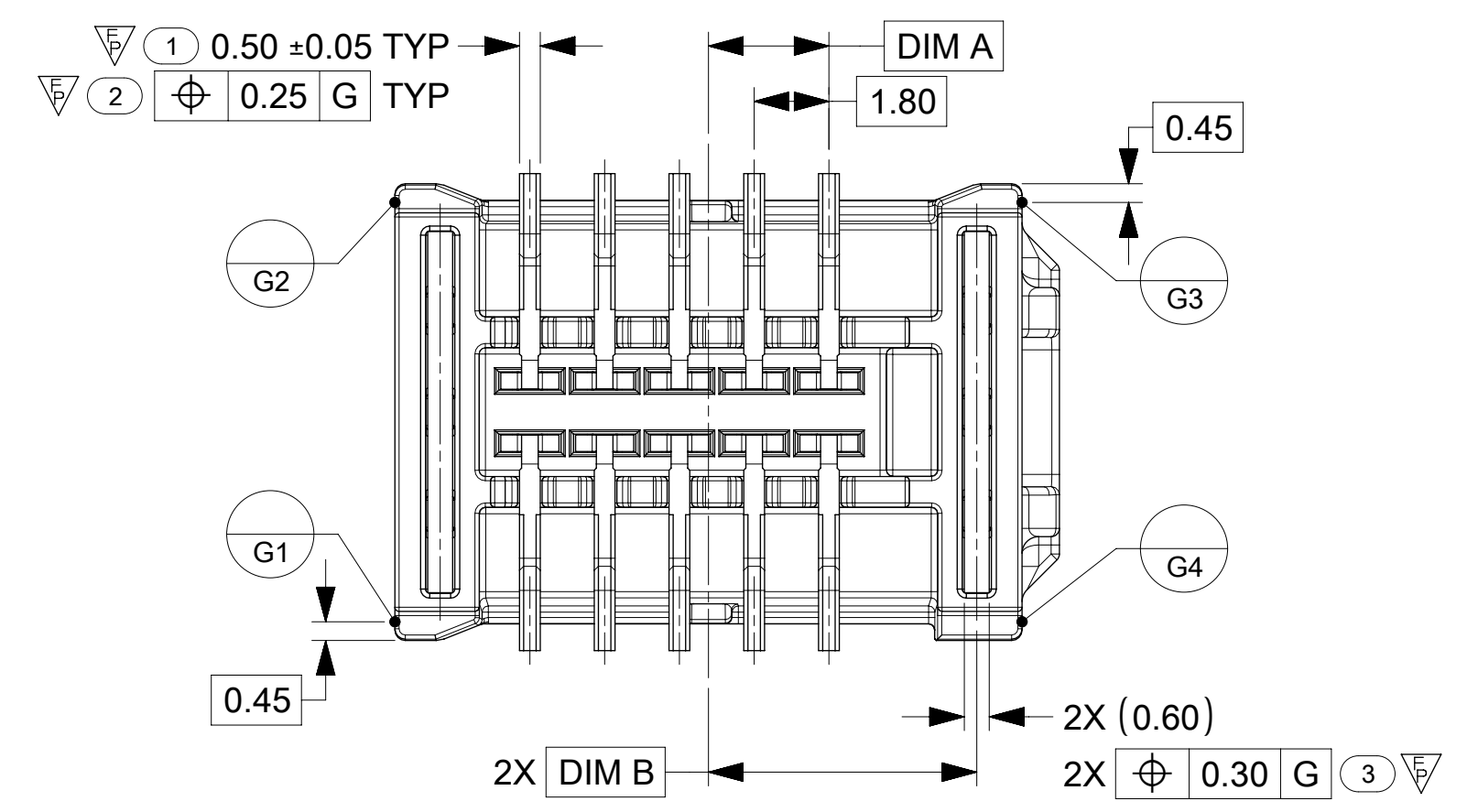
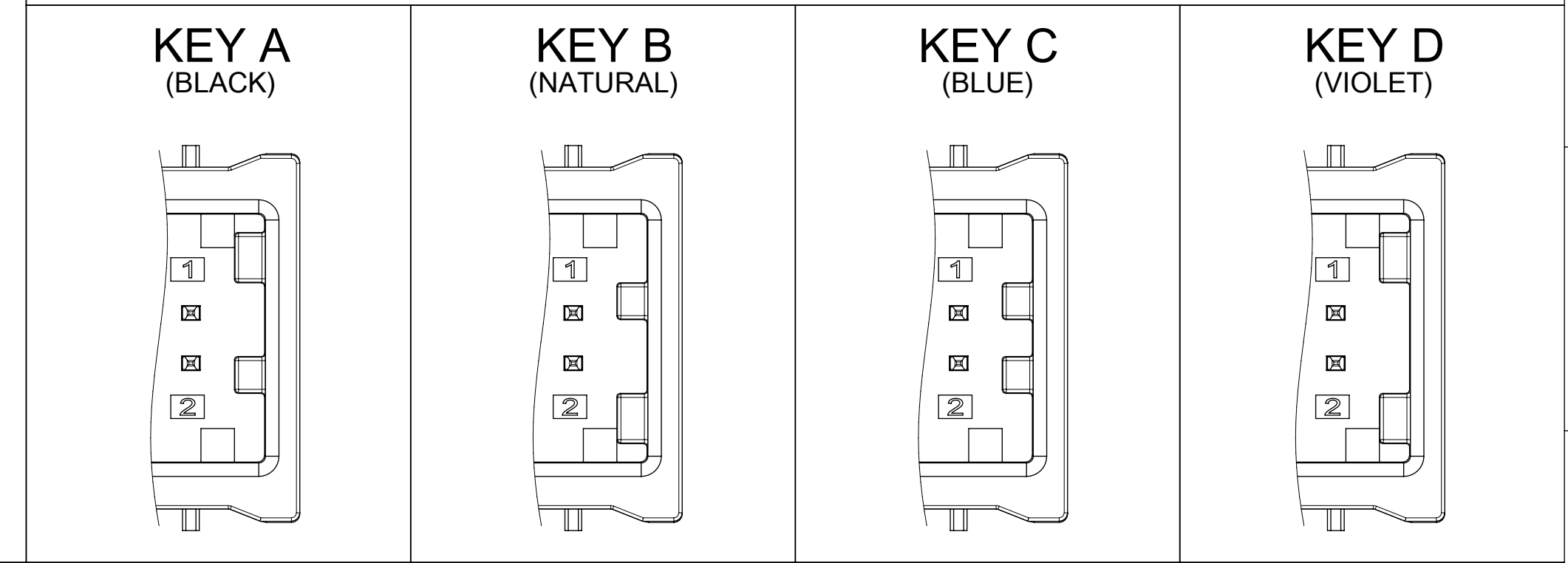


10CKT KEY A (2069572101) SHOWN EXCEPT WHERE NOTED
 REFER TO 2046310002 FOR INTERFACE DIMENSIONS



KEYING OPTIONS



2 CKTS UNPOPULATED
 8CKT HEADER WITH 2 CKTS UNPOPULATED (10CKT INTERFACE) SHOWN
 PART NUMBER: 2069584081

THIS DRAWING CONTAINS INFORMATION THAT IS PROPRIETARY TO MOLEX ELECTRONIC TECHNOLOGIES, LLC AND SHOULD NOT BE USED WITHOUT WRITTEN PERMISSION											
DIMENSION UNITS: mm		SCALE: 6:1		CURRENT REV DESC:							
GENERAL TOLERANCES (UNLESS SPECIFIED)				molex CONNTRAK50 DR VERTICAL SMT HEADER PRODUCT CUSTOMER DRAWING DOCUMENT NUMBER: 2057260003 DOC TYPE: PSD DOC PART: 000 REVISION: C3 MATERIAL NUMBER: SEE TABLE CUSTOMER: GENERAL MARKET SHEET NUMBER: 2 OF 2							
ANGULAR TOL: ± °											
4 PLACES: ±											
3 PLACES: ±											
2 PLACES: ±											
1 PLACE: ±											
0 PLACES: ±				DRAFT WHERE APPLICABLE MUST REMAIN WITHIN DIMENSIONS		THIRD ANGLE PROJECTION		DRAWING: D-SIZE		SERIES: 205726	
EC NO: 672688		2021/05/12		DRWN: KHEWITT		2021/08/09		CHK'D: VBALASUBRAMA		2021/08/09	
APPR: JDUNAJ		2021/08/09		INITIAL REVISION:		2018/02/23		DRWN: ECOLARUSSO		2018/03/14	
APPR: JDUNAJ		2018/03/14		APPR: JDUNAJ		2018/03/14		APPR: JDUNAJ		2018/03/14	