

42865-3 ✓ ACTIVE

SHUR-PLUG 180

TE Internal #: 42865-3

Crimp Wire Pins, Tabs & Ferrules, Shur-Plug, Mating Pin Diameter

4.57 mm [.18 in], 14 – 10 AWG Wire Size, 2 – 6 mm² Wire Size,

SHUR-PLUG 180

[View on TE.com >](#)



Terminals & Splices > Crimp Wire Pins, Tabs & Ferrules



Crimp Wire Terminal Type: **Shur-Plug**

Mating Pin Diameter: **4.57 mm [.18 in]**

Wire Size: **9600 CMA**

Features

Product Type Features

| | |
|------------------------------------|-----------------|
| Compatible With Discrete Wire Type | Solid, Stranded |
|------------------------------------|-----------------|

Configuration Features

| | |
|-----------------------------------|---------------|
| Compatible With Wire & Cable Type | Discrete Wire |
|-----------------------------------|---------------|

Contact Features

| | |
|---------------------------|------------------|
| Crimp Wire Terminal Type | Shur-Plug |
| Mating Pin Diameter | 4.57 mm [.18 in] |
| Barrel Type | Open |
| Terminal Plating Material | Tin |
| Terminal Orientation | Straight |

Mechanical Attachment

| | |
|-------------------------|---------|
| Wire Insulation Support | Without |
|-------------------------|---------|

Dimensions

| | |
|-----------------------------|-------------------|
| Wire Size | 9600 CMA |
| Barrel Inside Diameter | 2.24 mm [.088 in] |
| Terminal Material Thickness | .45 mm [.018 in] |



| | |
|------------------------|-------------------|
| Overall Product Length | 21.97 mm[.865 in] |
|------------------------|-------------------|

Usage Conditions

| | |
|-----------------------------|----------------------------|
| Insulation Option | Uninsulated |
| Operating Temperature Range | -40 – 105 °C[-40 – 221 °F] |

Packaging Features

| | |
|--------------------|------|
| Packaging Quantity | 5000 |
| Packaging Method | Reel |

Other

| | |
|-----------------------------|----------------|
| Terminals & Splices Comment | Can be molded. |
|-----------------------------|----------------|

Product Compliance

[For compliance documentation, visit the product page on TE.com>](#)

| | |
|---|--|
| EU RoHS Directive 2011/65/EU | Compliant |
| EU ELV Directive 2000/53/EC | Compliant |
| China RoHS 2 Directive MIIT Order No 32, 2016 | No Restricted Materials Above Threshold |
| EU REACH Regulation (EC) No. 1907/2006 | Current ECHA Candidate List: JUNE 2023 (235) Candidate List Declared Against: JAN 2023 (233) Does not contain REACH SVHC |
| Halogen Content | Low Halogen - Br, Cl, F, I < 900 ppm per homogenous material. Also BFR/CFR/PVC Free |
| Solder Process Capability | Not applicable for solder process capability |

Product Compliance Disclaimer

This information is provided based on reasonable inquiry of our suppliers and represents our current actual knowledge based on the information they provided. This information is subject to change. The part numbers that TE has identified as EU RoHS compliant have a maximum concentration of 0.1% by weight in homogenous materials for lead, hexavalent chromium, mercury, PBB, PBDE, DBP, BBP, DEHP, DIBP, and 0.01% for cadmium, or qualify for an exemption to these limits as defined in the Annexes of Directive 2011/65/EU (RoHS2). Finished electrical and electronic equipment products will be CE marked as required by Directive 2011/65/EU. Components may not be CE marked. Additionally, the part numbers that TE has identified as EU ELV compliant have a maximum concentration of 0.1% by weight in homogenous materials for lead, hexavalent chromium, and mercury, and 0.01% for cadmium, or qualify for an exemption to these limits as defined in the Annexes of Directive 2000/53/EC (ELV). Regarding the REACH Regulation, the information TE provides on SVHC in articles for this part number is based on the latest European Chemicals Agency (ECHA) 'Guidance on requirements for substances in articles' posted at this URL: <https://echa.europa.eu/guidance-documents/guidance-on-reach>

Compatible Parts




TE Part # 1742039-1
SHUR PLUG .156 DIA REC 10-14 AWG PTPBR



TE Part # 2-2836450-1
OCEAN_2.0_APPLICATOR-S-130F



TE Part # 2-2836450-2
OCEAN_2.0_APPLICATOR-S-130FA



TE Part # 2836450-1
OCEAN_2.0_APPLICATOR-S-130F



TE Part # 2836450-2
OCEAN_2.0_APPLICATOR-S-130FA



TE Part # 444154-2
SHUR PLUG 180 0.5-1.0MM2 0.45X27.6 PTPBR



TE Part # 7-2836450-1
OCEAN_2.0_APPLICATOR-S-130F




TE Part # 7-2836450-2
OCEAN_2.0_APPLICATOR-S-130FA



KIT
REPRESENTATION ONLY

TE Part # 7-2836450-7
OCEAN_2.0_SPARE_PART_KIT-130F

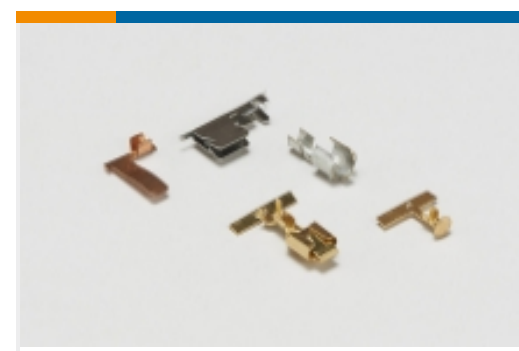
Also in the Series | **SHUR-PLUG 180**



Crimp Terminal Housings(6)



Crimp Wire Pins, Tabs & Ferrules(37)

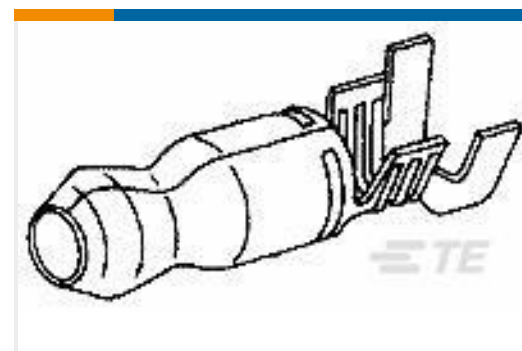


Special Purpose Terminals(1)

Customers Also Bought



TE Part #60798-4
SHUR PLUG 180 RECEPTACLE 18-14 AWG TPBR



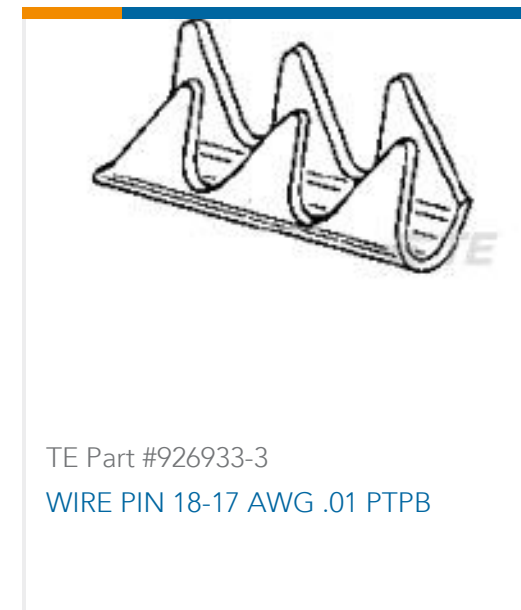
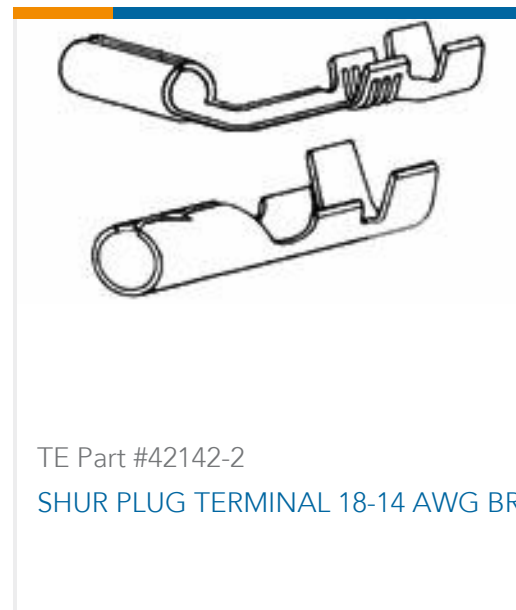
TE Part #60793-1
SHUR PLUG .180 18-14 AWG TPBR



TE Part #42868-2
SHUR PLUG 180 RECEPTACLE 14-10 AWG TPBR



TE Part #60798-2
SHUR PLUG 180 RECEPTACLE 18-14 AWG BR



Documents

Product Drawings

[SHUR PLUG 180 REVERSE REEL 14-10AWG TPBR](#)

English

CAD Files

[3D PDF](#)

3D

Customer View Model

[ENG_CVM_CVM_42865-3_AG.2d_dxf.zip](#)

English

Customer View Model

[ENG_CVM_CVM_42865-3_AG.3d_igs.zip](#)

English

Customer View Model

[ENG_CVM_CVM_42865-3_AG.3d_stp.zip](#)

English

By downloading the CAD file I accept and agree to the [Terms and Conditions](#) of use.

Product Specifications

[Application Specification](#)

English

Product Environmental Compliance

[TE Material Declaration](#)

English