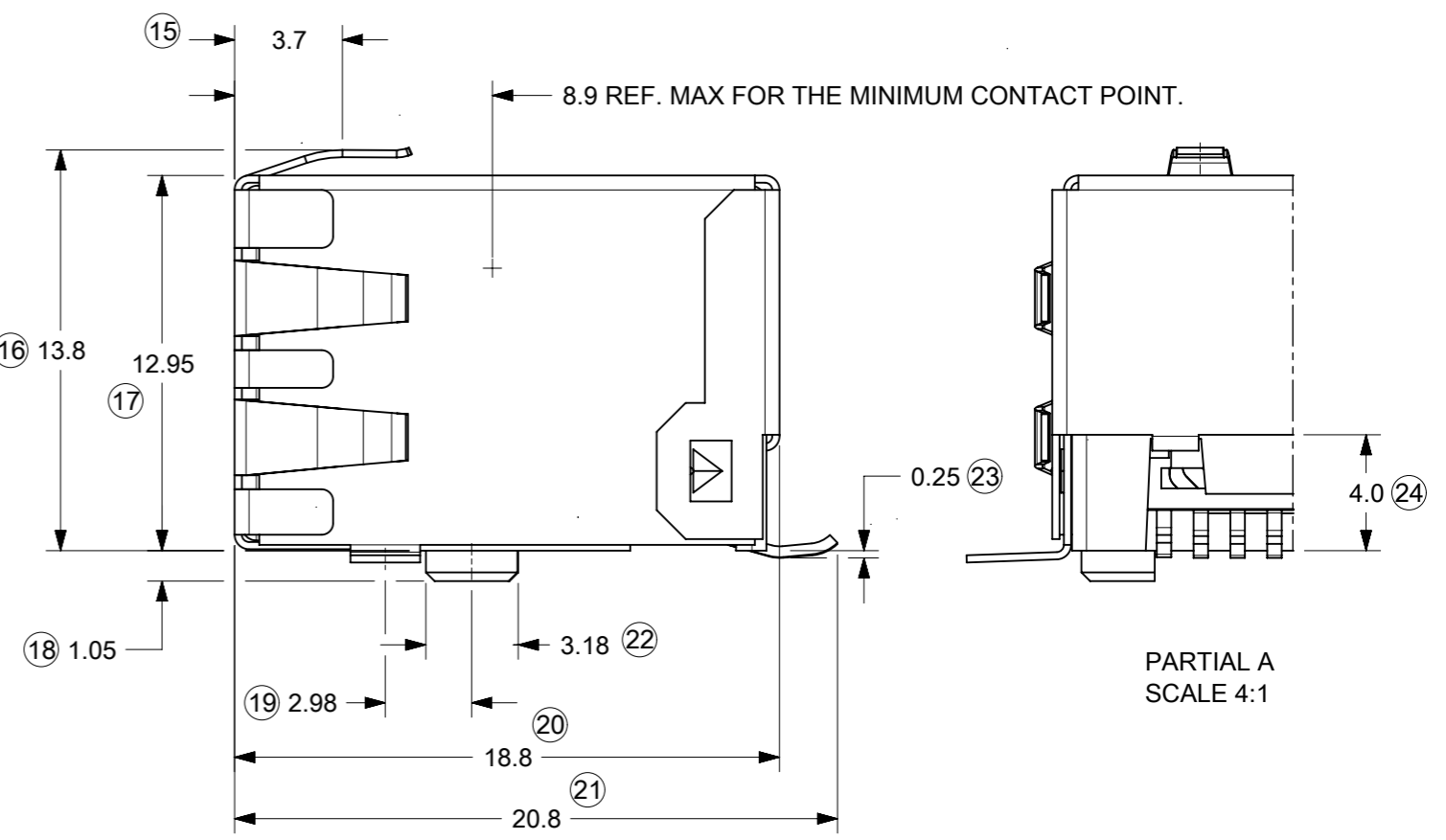
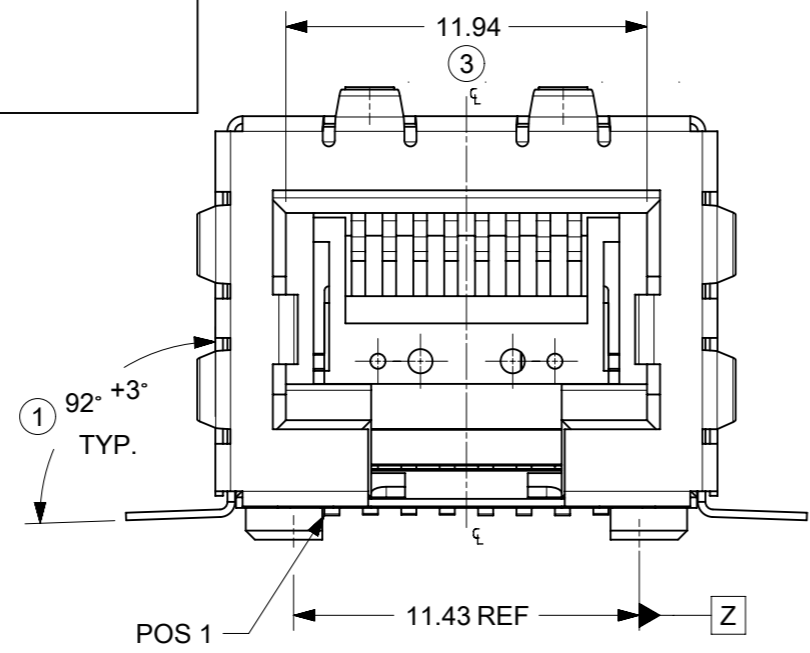
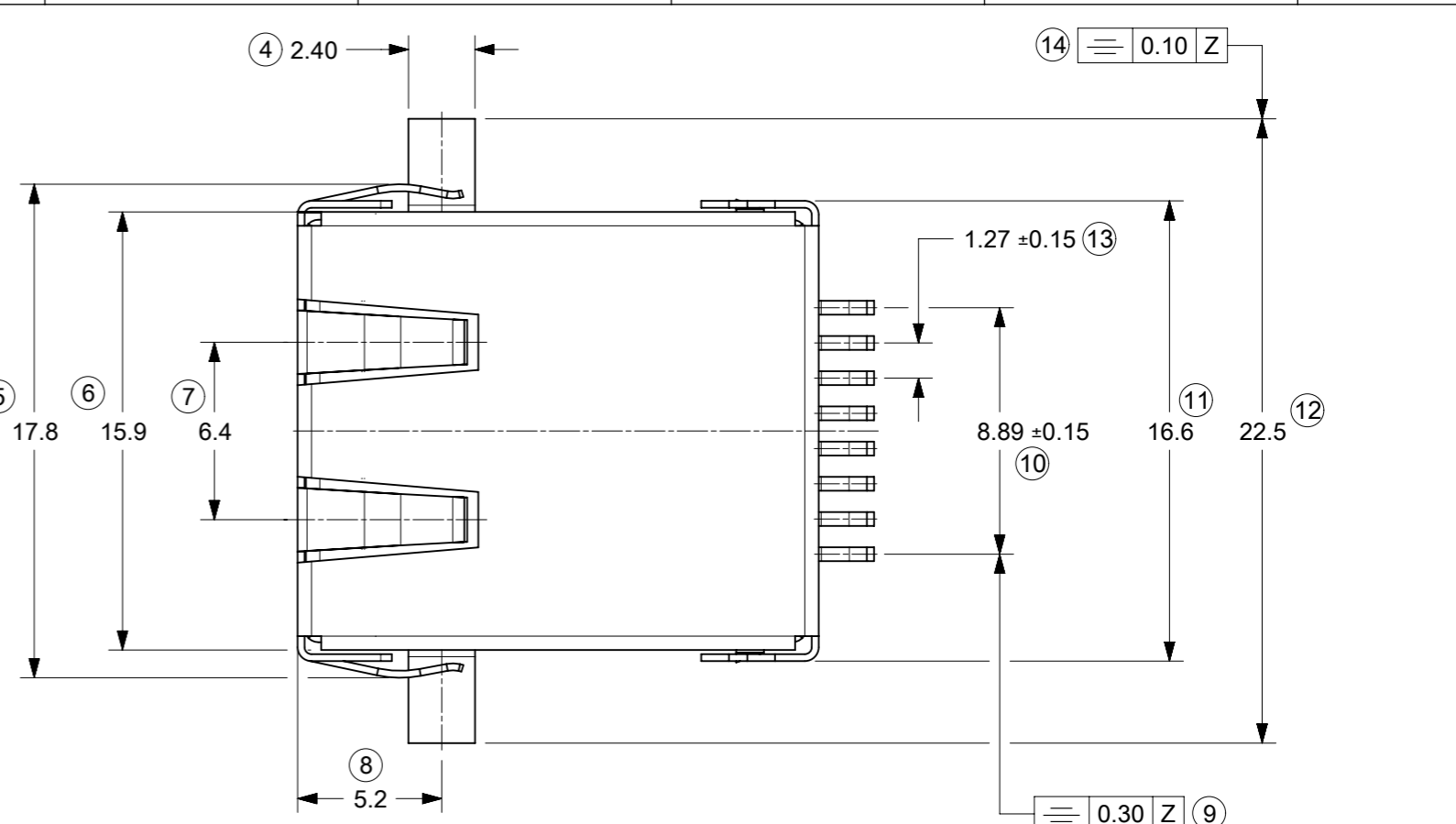
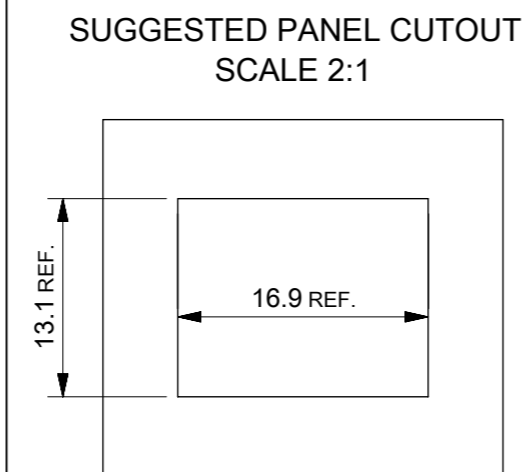


RECOMMENDED P.C.B. LAYOUT
VIEW FROM COMPONENT SIDE
ALL DIMENSIONS REF DIMENSIONS

PART NO.	PLATING
85543-7001	7



- NOTES:
- JACK FOR MATING WITH SHIELDED PLUG (MOLEX 95043 SERIES)
 - PRODUCT SPECIFICATION: PS-85543-002
 - PACKAGING SPECIFICATION: PK-85542-002 (BLISTER ON REEL)
 - COPLANARITY OF SIGNAL LEADS: 0.10 MAX
 - EXCEEDS CATEGORY 5E PERFORMANCE.
 - RECOMMENDED PCB THICKNESS 1.57

LAST INSPECTION No: 25
REMOVED INSPECTION NO: 2

TECHNICAL SPECIFICATIONS:
MATERIAL:
HOUSING: LCP GLASS FILLED UL 94V0,
COLOUR BLACK.
TERMINAL: PHOSPHOR BRONZE PLATED WITH:
PLATING 7: POST PLATE 0.00005 MIN GOLD FLASH OVER
0.00060 MIN PALLADIUM-NICKEL IN CONTACT AREA,
0.00190 MIN PURE TIN IN TAIL AREA,
BOTH OVER 0.00127 MIN NICKEL OVERALL.
SHIELD: BRASS PLATED WITH 0.0020 MIN TIN.

THIS DRAWING CONTAINS INFORMATION THAT IS PROPRIETARY TO MOLEX ELECTRONIC TECHNOLOGIES, LLC AND SHOULD NOT BE USED WITHOUT WRITTEN PERMISSION		CURRENT REV DESC: ADDED PANEL CUTOUT		molex	
DIMENSION UNITS	SCALE	EC NO: 735778			
mm	4:1	DRWN: ASWINA		2022/12/26	
GENERAL TOLERANCES (UNLESS SPECIFIED)		CHK'D: KLANG		2023/01/27	
ANGULAR TOL	± 2.0°	APPR: KLANG		2023/01/27	
4 PLACES	±	INITIAL REVISION:		DOCUMENT NUMBER	
3 PLACES	±	DRWN: DBYRNES		SD-85543-501	
2 PLACES	± 0.25	APPR: EOMAHONY		DOC TYPE DOC PART REVISION	
1 PLACE	± 0.35	2006/09/05		PSD 001 C2	
0 PLACES	±	2006/09/06		SHEET NUMBER	
DRAFT WHERE APPLICABLE MUST REMAIN WITHIN DIMENSIONS	THIRD ANGLE PROJECTION	DRAWING	SERIES	MATERIAL NUMBER	CUSTOMER
		A3-SIZE	85543	SEE CHART	GENERAL MARKET