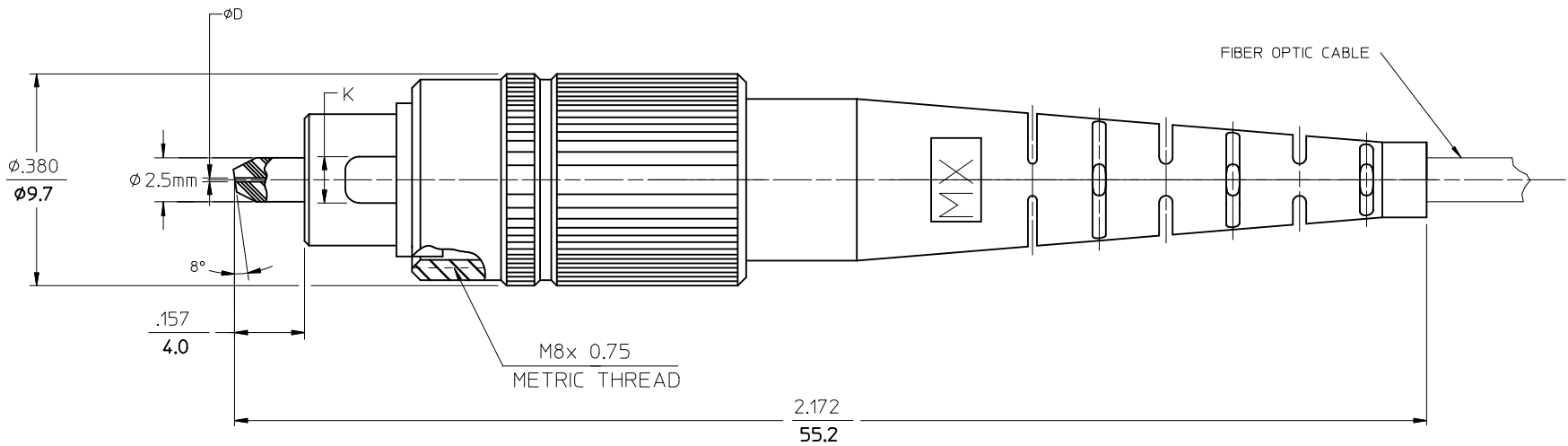


CONNECTOR P/N	∅D (µm)	K (KEY)
106055-2100	125.5	.0785
106056-2100		.083
106055-4100	125	.0785
106056-4100		.083
106055-5100	126	.0785
106056-5100		.083
106055-2120	125.5	.0785



NOTES:

1. DIMENSIONS ARE FOR REFERENCE ONLY.
2. DUST CAP IS NOT SHOWN.

<b>ENTER DESCRIPTION</b> EC NO: MF2012-0068 DRAWN: YBEDNYAK 2011/08/02 CHKD: APPR: IGUMIN 2011/08/02 REV: A1	QUALITY SYMBOLS ▽=0 ▽7=0	GENERAL TOLERANCES (UNLESS SPECIFIED) <table border="1"> <thead> <tr> <th></th> <th>mm</th> <th>INCH</th> </tr> </thead> <tbody> <tr> <td>4 PLACES</td> <td>± .005</td> <td>± .0004</td> </tr> <tr> <td>3 PLACES</td> <td>± .003</td> <td>± .0002</td> </tr> <tr> <td>2 PLACES</td> <td>± .002</td> <td>± .0001</td> </tr> <tr> <td>1 PLACE</td> <td>± .001</td> <td>± .00005</td> </tr> </tbody> </table>		mm	INCH	4 PLACES	± .005	± .0004	3 PLACES	± .003	± .0002	2 PLACES	± .002	± .0001	1 PLACE	± .001	± .00005	DIMENSION STYLE IN/MM	SCALE 5:1	DESIGN UNITS INCH	THIRD ANGLE PROJECTION
		mm	INCH																		
	4 PLACES	± .005	± .0004																		
	3 PLACES	± .003	± .0002																		
	2 PLACES	± .002	± .0001																		
1 PLACE	± .001	± .00005																			
DRAFT WHERE APPLICABLE MUST REMAIN WITHIN DIMENSIONS		APPROVED BY IGUMIN	DATE 2011/08/01	TITLE FC APC CONNECTOR 1.6MM & 2.0MM CABLE																	
MATERIAL NO.		SEE TABLE		MOLEX INCORPORATED																	
SIZE B		DOCUMENT NO. SD-10605X-X100		SHEET NO. 1 OF 1																	
THIS DRAWING CONTAINS INFORMATION THAT IS PROPRIETARY TO MOLEX INCORPORATED AND SHOULD NOT BE USED WITHOUT WRITTEN PERMISSION																					