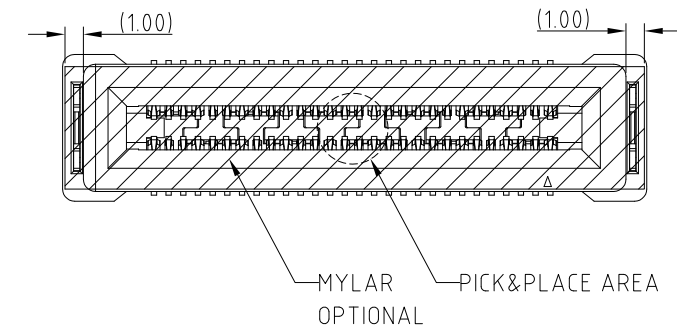
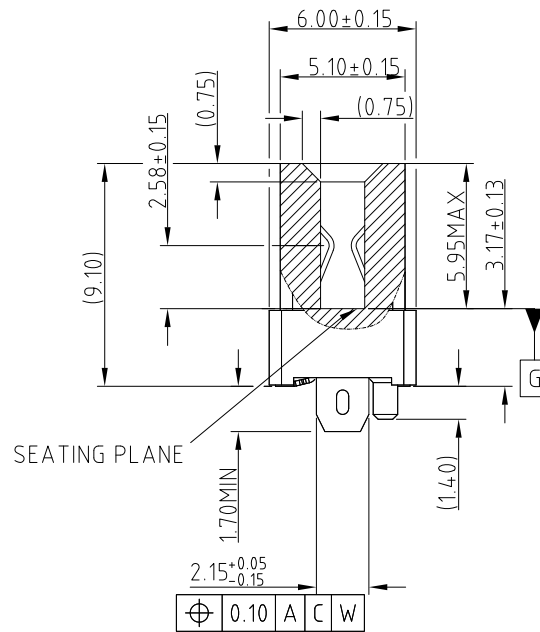
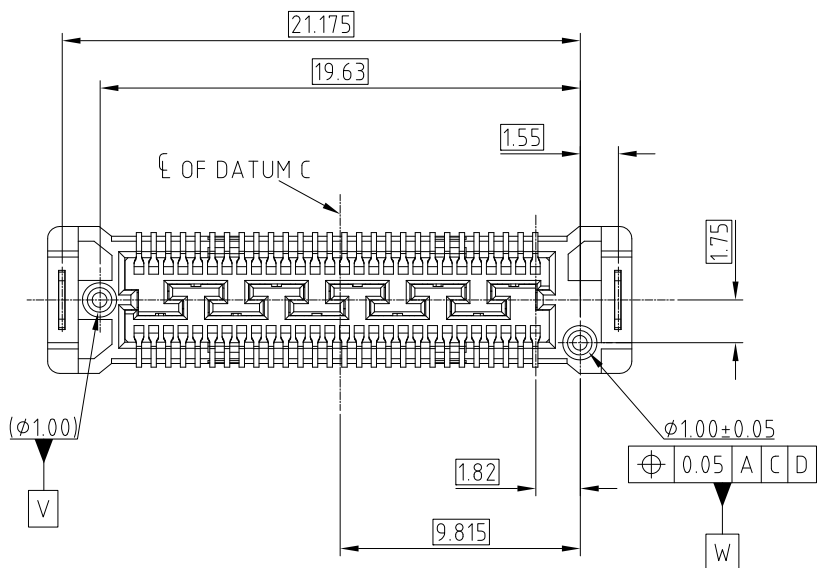
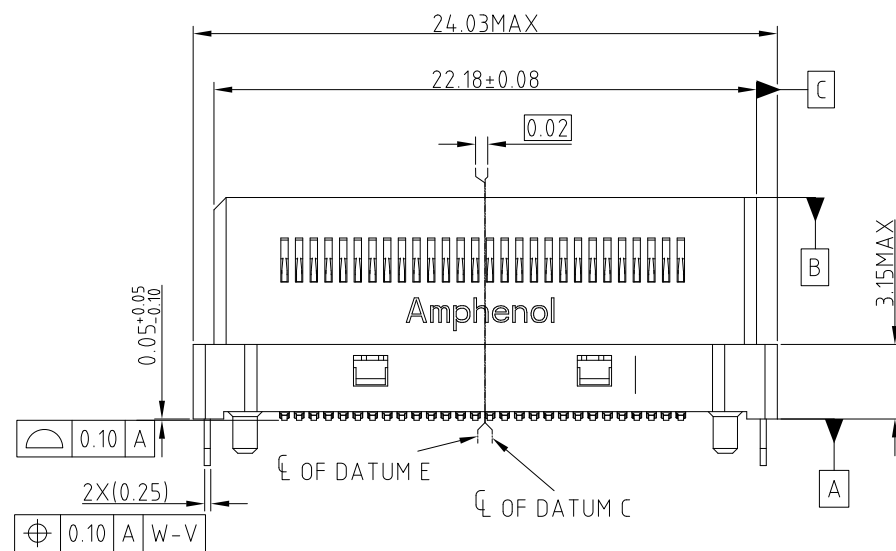
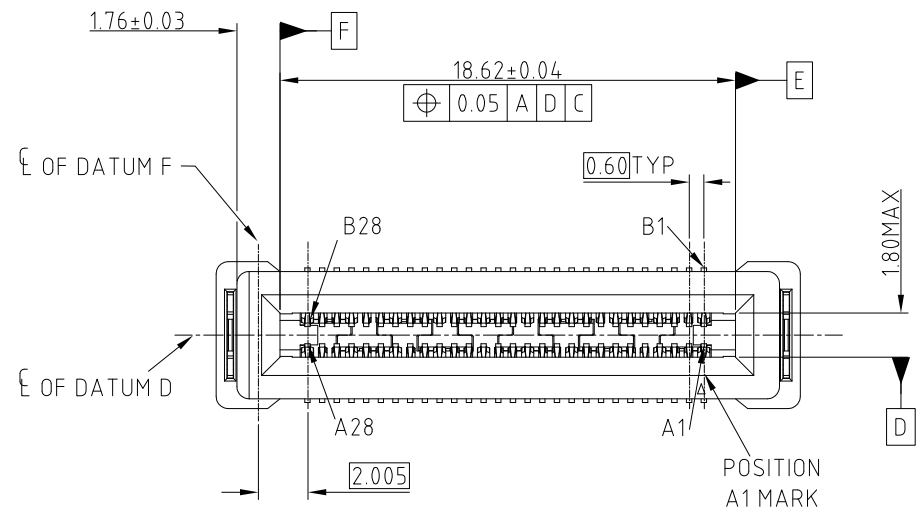


This document is the property of Amphenol Corporation and is delivered on the express condition that it is not to be disclosed, reproduced or used, in whole or in part, for manufacture or sale by anyone other than Amphenol Corporation without its prior consent, & that no right is granted to disclose or to use any information in this document.

# CUSTOMER DRAWING

## REVISIONS

SYM	ECN	DESCRIPTION	DATE	APPROVED
4	CDXXXX	PRELIMINARY PROPOSAL(FOLLOW GEN Z V0.9E)	Nov.10,2017	
5	CDXXXX	ADD AIC CARD RECOMMEND SPECIFICATION	May.21,2018	
6	CDXXXX	ADD PICK UP CAP	Aug.14,2018	
7	CDXXXX	UPDATED BY SFF TA 1002 V1.1.3	Nov.05,2018	
8	CDXXXX	CHANGE CAP TO MYLAR	Dec.18,2018	
9	CDXXXX	OPTIMIZED SOME FEATURE	Jan.15,2019	
10	CD1750	OFFICIAL RELEASE AND ADD P/N LIST TABLE	Jul.01,2019	YH
11	CD1853	STANDARDIZATION OF WAFER	Sep.24,2019	YH
12	CD2186	UPDATED THE BOARD LOCK SPEC	Jul.03,2020	YH



### NOTE:

- MATERIAL:  
HOUSING: HIGH TEMPERATURE THERMOPLASTIC BLACK UL94-V0  
CONTACT: COPPER ALLOY  
BOARDLOCK: COPPER ALLOY
- PLATING:  
CONTACT: Au PLATING AT MATING AREA DETAILS REFER TO PAGE 3 PART NUMBER  
1.27µm MIN TIN AT SOLDER AREA 1.27-2.54 µm NICKEL PLATED ALL OVER  
BOARDLOCK: 1.27 µm MIN TIN OVER 1.27-2.54µm NICKEL UNDERPLATED
- ELECTRICAL PERFORMANCE:  
RATED CURRENT : 1.1A/PIN UP TO 12PINS  
LLCR:30mΩ MAX, DELTA 15 mΩ.  
INSULATION RESISTANCE: 1000MΩ MIN
- MATERIAL SHOULD BE FULFILLED AMPHENOL SPEC# S-SN-002 AND S-SN-004.
- ORDERING PART NUMBER REFER TO PAGE 3 PART NUMBER LIST TABLE



UNLESS OTHERWISE SPECIFIED TOLERANCES	
U.S.	METRIC
.X +/-	0.25
.XX +/-	0.20
.XXX +/-	0.15
FRACTIONS +/-	5°
ANGLES +/-	

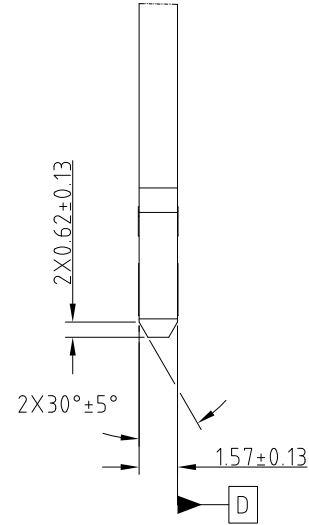
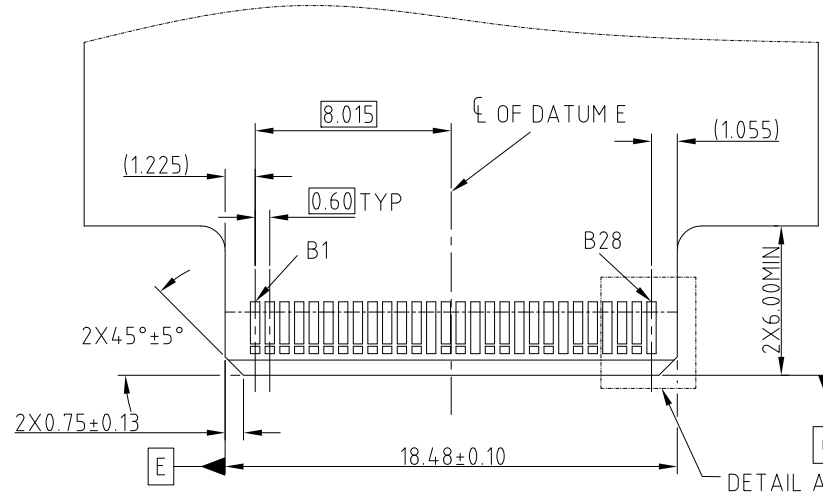
APPROVAL		DATE
DRAWN Rocky		Jul.03,2020
CHECKED Ly.Yi		Jul.03,2020
APPROVED		
DRAWING FILE :		
INTERNAL\DRAWING\ME\ C ME100561010X01X		
ANGLE OF PROJECTION		

<b>Amphenol</b>		
TITLE MINI COOL EDGE CONNECTOR 56P V/T 0.6MM PITCH SMT		
SIZE A3	DRAWING NO. C ME100561010X01X	REV. 12
SCALE	NONE	SHEET 1 OF 4

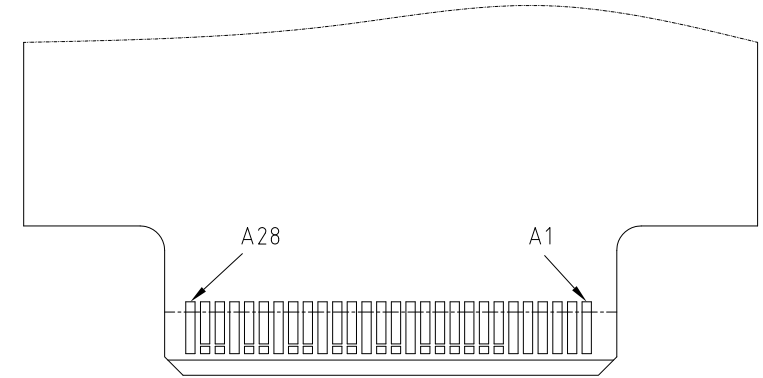
This document is the property of Amphenol Corporation and is delivered on the express condition that it is not to be disclosed, reproduced or used, in whole or in part, for manufacture or sale by anyone other than Amphenol Corporation without its prior consent, & that no right is granted to disclose or to use any information in this document.

CUSTOMER DRAWING

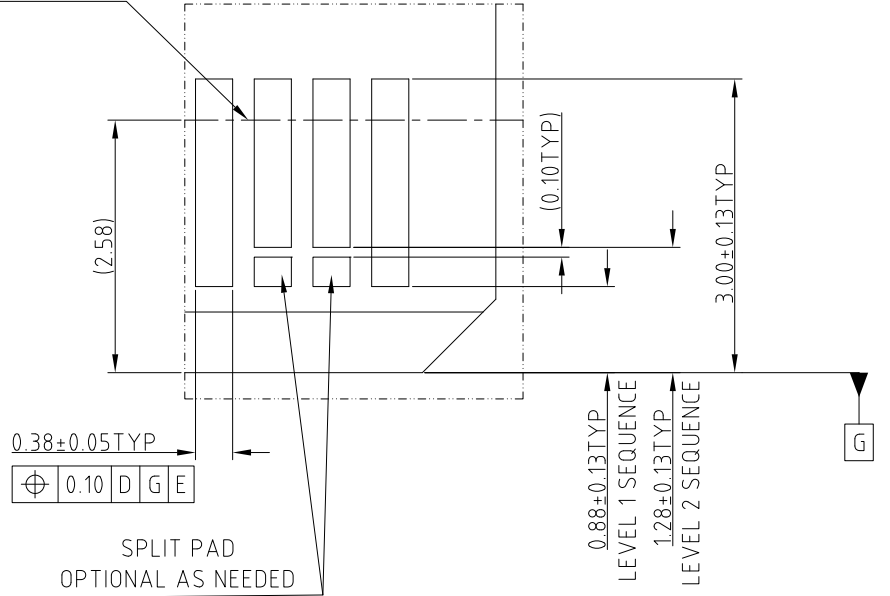
REVISIONS				
SYM	ECN	DESCRIPTION	DATE	APPROVED
		SEE SHEET 1		



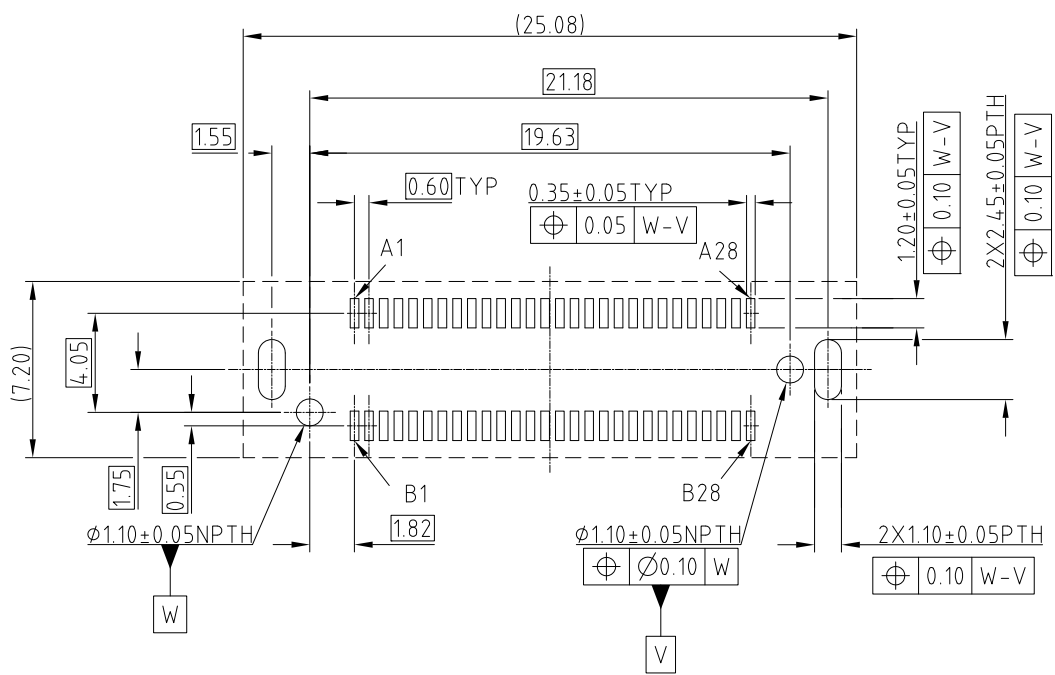
RECOMMENDED AIC MATING CARD



CONTACT POINT REFERENCE LINE



DETAIL A SCALE 4:1



RECOMMENDED FOOTPRINT



UNLESS OTHERWISE SPECIFIED TOLERANCES	
U.S.	METRIC
.X +/-	0.25
.XX +/-	0.20
.XXX +/-	0.15
FRACTIONS +/-	
ANGLES +/-	5°
FOR MATERIALS AND FINISHES SEE NOTES	
REMOVE SHARP EDGES	
DIMENSIONS	
—U.S.—	INCHES
(METRIC)	(mm)

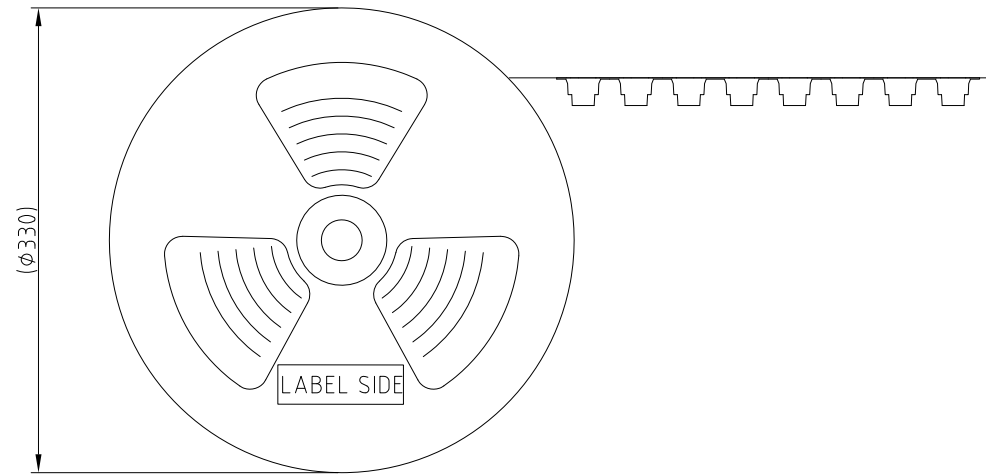
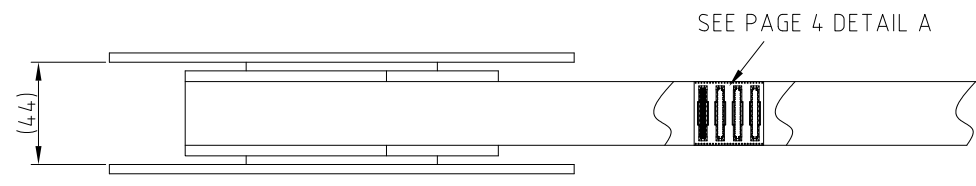
APPROVAL	DATE
DRAWN Rocky	Jul.03.2020
CHECKED Ly.Yi	Jul.03.2020
APPROVED	
DRAWING FILE :	
INTERNAL\DRAWING\ME\ C ME100561010X01X	
ANGLE OF PROJECTION	

Amphenol		
TITLE		
MINI COOL EDGE CONNECTOR		
56P V/T 0.6MM PITCH SMT		
SIZE	DRAWING NO.	REV.
A3	C ME100561010X01X	12
SCALE	NONE	SHEET 2 OF 4

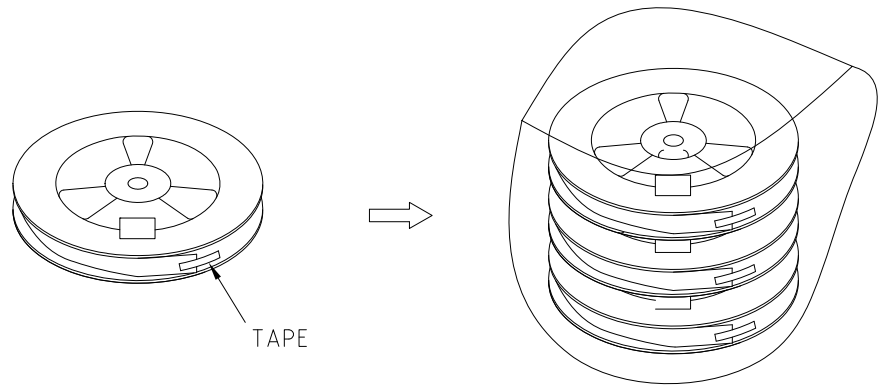
This document is the property of Amphenol Corporation and is delivered on the express condition that it is not to be disclosed, reproduced or used, in whole or in part, for manufacture or sale by anyone other than Amphenol Corporation without its prior consent, & that no right is granted to disclose or to use any information in this document.

CUSTOMER DRAWING

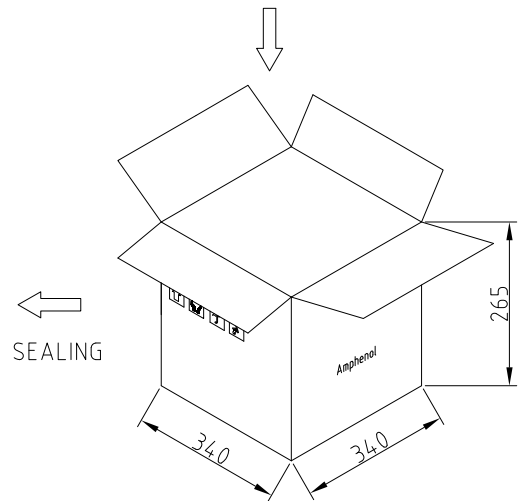
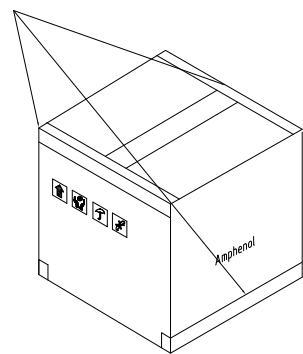
REVISIONS				
SYM	ECN	DESCRIPTION	DATE	APPROVED
		SEE SHEET 1		



USER DIRECTION OF UNREELING



STICK ADHESIVE TAPE ON MASTER BOX



ME1005610104014	G/F+PdNi	24	200/REEL 1000/CARTON	NO
ME1005610104013	GOLD FLASH			YES
ME1005610104012	0.38um Au			
ME1005610104011	0.76um Au			
ME1005610103014	G/F+PdNi	16	300/REEL 1500/CARTON	NO
ME1005610103013	GOLD FLASH			YES
ME1005610103012	0.38um Au			
ME1005610103011	0.76um Au			
ME1005610102014	G/F+PdNi			
ME1005610102013	GOLD FLASH			
ME1005610102012	0.38um Au			
ME1005610102011	0.76um Au			
ME1005610101014	G/F+PdNi	16	300/REEL 1500/CARTON	NO
ME1005610101013	GOLD FLASH			YES
ME1005610101012	0.38um Au			
ME1005610101011	0.76um Au			
PART NUMBER	PLATING	CARRIER TAPE PITCH	PACKAGE QUANTITY	MYLAR

PART NUMBER LIST TABLE

UNLESS OTHERWISE SPECIFIED <b>TOLERANCES</b> U.S.      METRIC .X    +/-      0.25 .XX   +/-      0.20 .XXX +/-      0.15 FRACTIONS +/-      5° ANGLES +/- FOR MATERIALS AND FINISHES SEE NOTES REMOVE SHARP EDGES DIMENSIONS —U.S.—      INCHES (METRIC)      (mm)	APPROVAL DRAWN Rocky CHECKED Ly.Yi APPROVED	DATE Jul.03,2020 Jul.03,2020	<b>Amphenol</b>		
	DRAWING FILE : INTERNAL\DRAWING\ME\ C ME100561010X01X	TITLE MINI COOL EDGE CONNECTOR 56P V/T 0.6MM PITCH SMT			
	SCALE NONE	SHEET 3 OF 4	SIZE A3	DRAWING NO. C ME100561010X01X	REV. 12

This document is the property of Amphenol Corporation and is delivered on the express condition that it is not to be disclosed, reproduced or used, in whole or in part, for manufacture or sale by anyone other than Amphenol Corporation without its prior consent, & that no right is granted to disclose or to use any information in this document.

CUSTOMER DRAWING

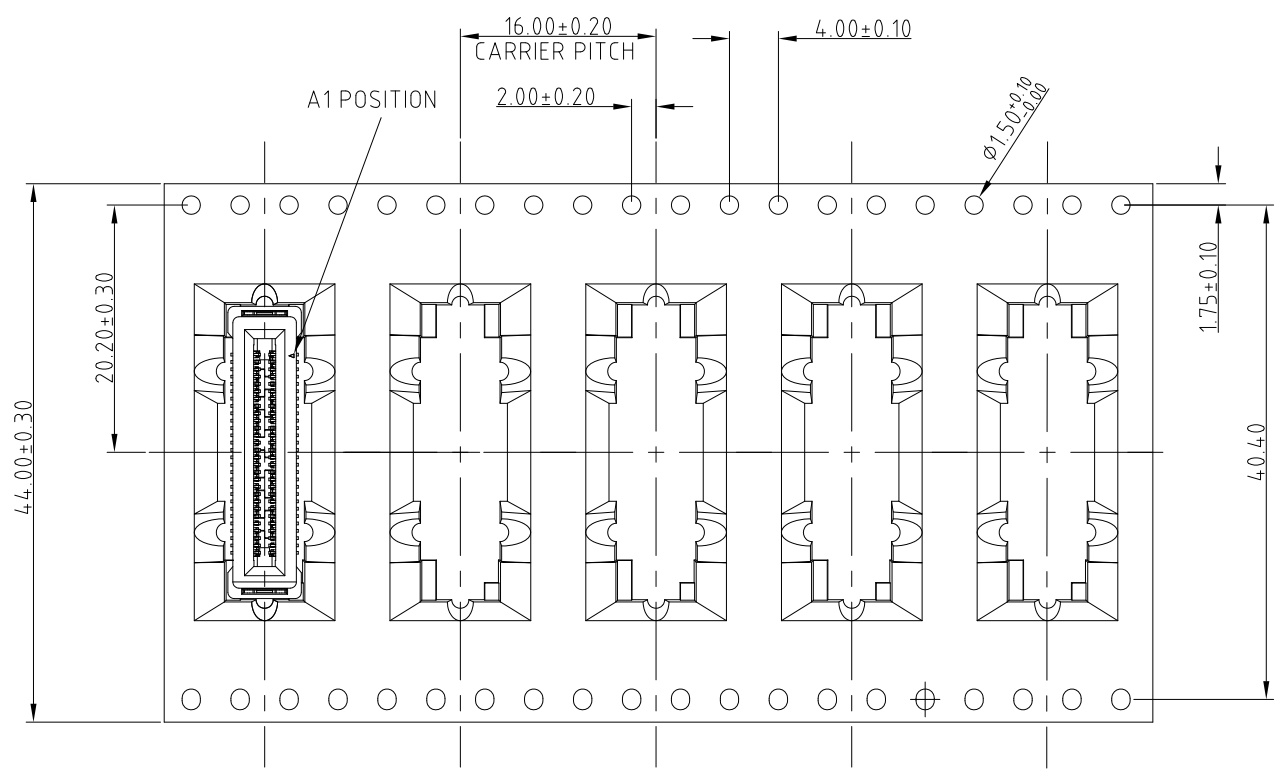
REVISIONS				
SYM	ECN	DESCRIPTION	DATE	APPROVED
		SEE SHEET 1		

D

C

B

A



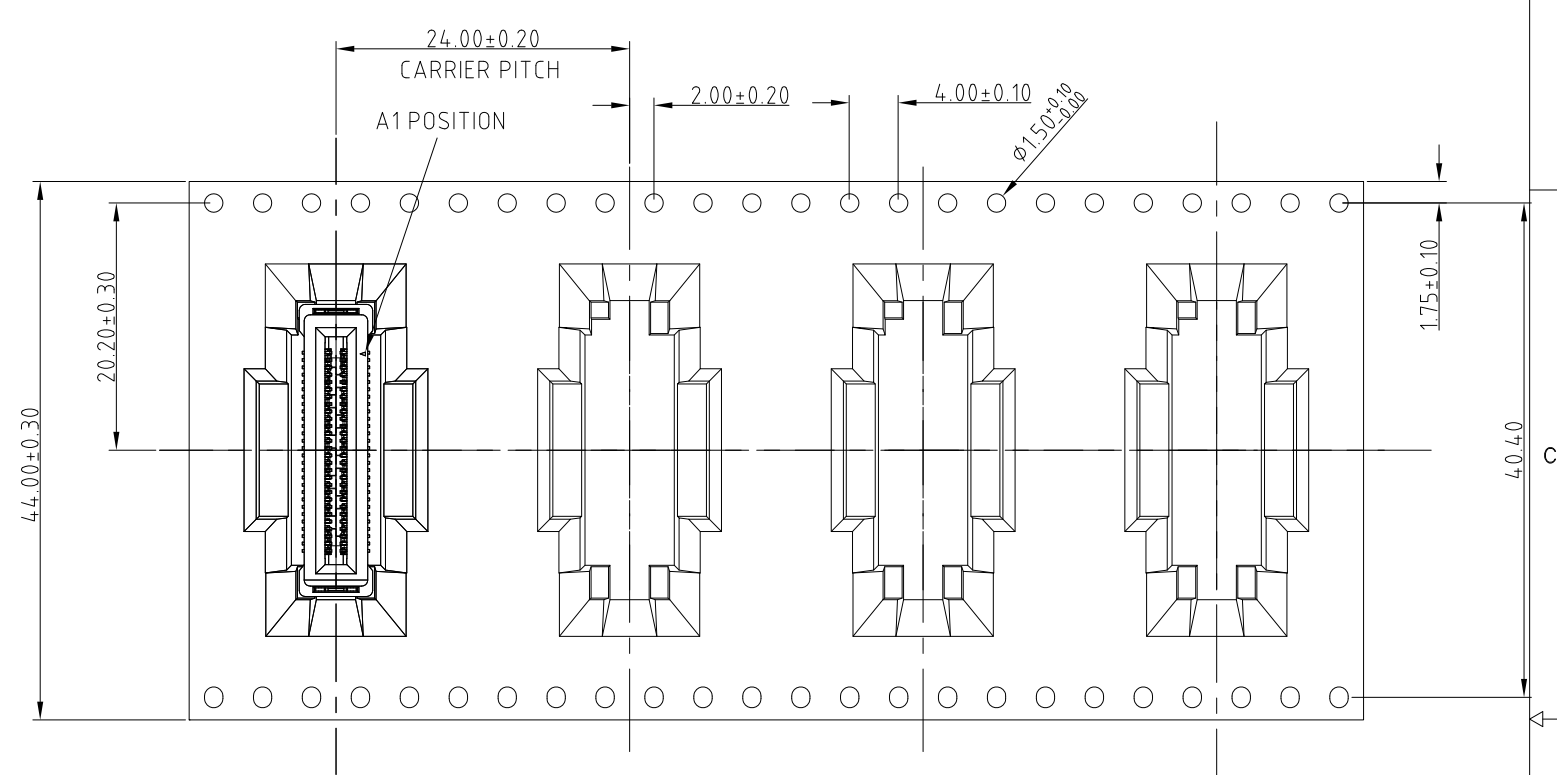
DETAIL A  
SCALE 1:2  
OPTIONAL 1

D

C

B

A



DETAIL A  
SCALE 1:2  
OPTIONAL 2



UNLESS OTHERWISE SPECIFIED TOLERANCES	
U.S.	METRIC
.X +/-	0.25
.XX +/-	0.20
.XXX +/-	0.15
FRACTIONS +/-	
ANGLES +/-	5°
FOR MATERIALS AND FINISHES SEE NOTES	
REMOVE SHARP EDGES	
DIMENSIONS	
—U.S.—	INCHES
(METRIC)	(mm)

APPROVAL		DATE
DRAWN	Rocky	Jul.03,2020
CHECKED	Ly.Yi	Jul.03,2020
APPROVED		
DRAWING FILE :		
INTERNAL\DRAWING\ME\ C ME100561010X01X		
ANGLE OF PROJECTION		

Amphenol		
TITLE		
MINI COOL EDGE CONNECTOR		
56P V/T 0.6MM PITCH SMT		
SIZE	DRAWING NO.	REV.
A3	C ME100561010X01X	12
SCALE	NONE	SHEET 4 OF 4

4

3

2

1