

**TABLE 1**

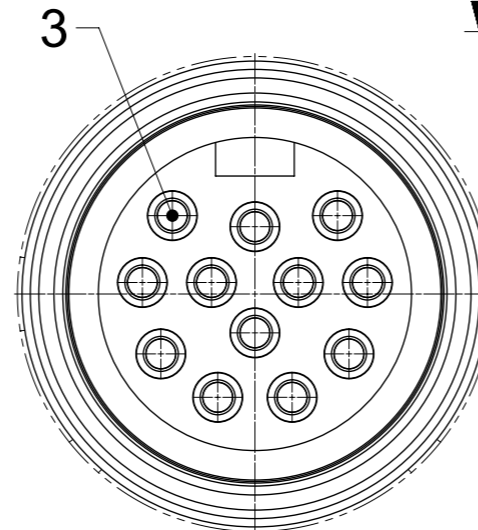
MOLEX P/N	ENG. NO.	LED
1202480073	BTB8010-FBB	NO
1202480074	BTB801P-FBB	YES
1202480075	BTB801N-FBB	YES

**TABLE 2 BILL OF MATERIAL**

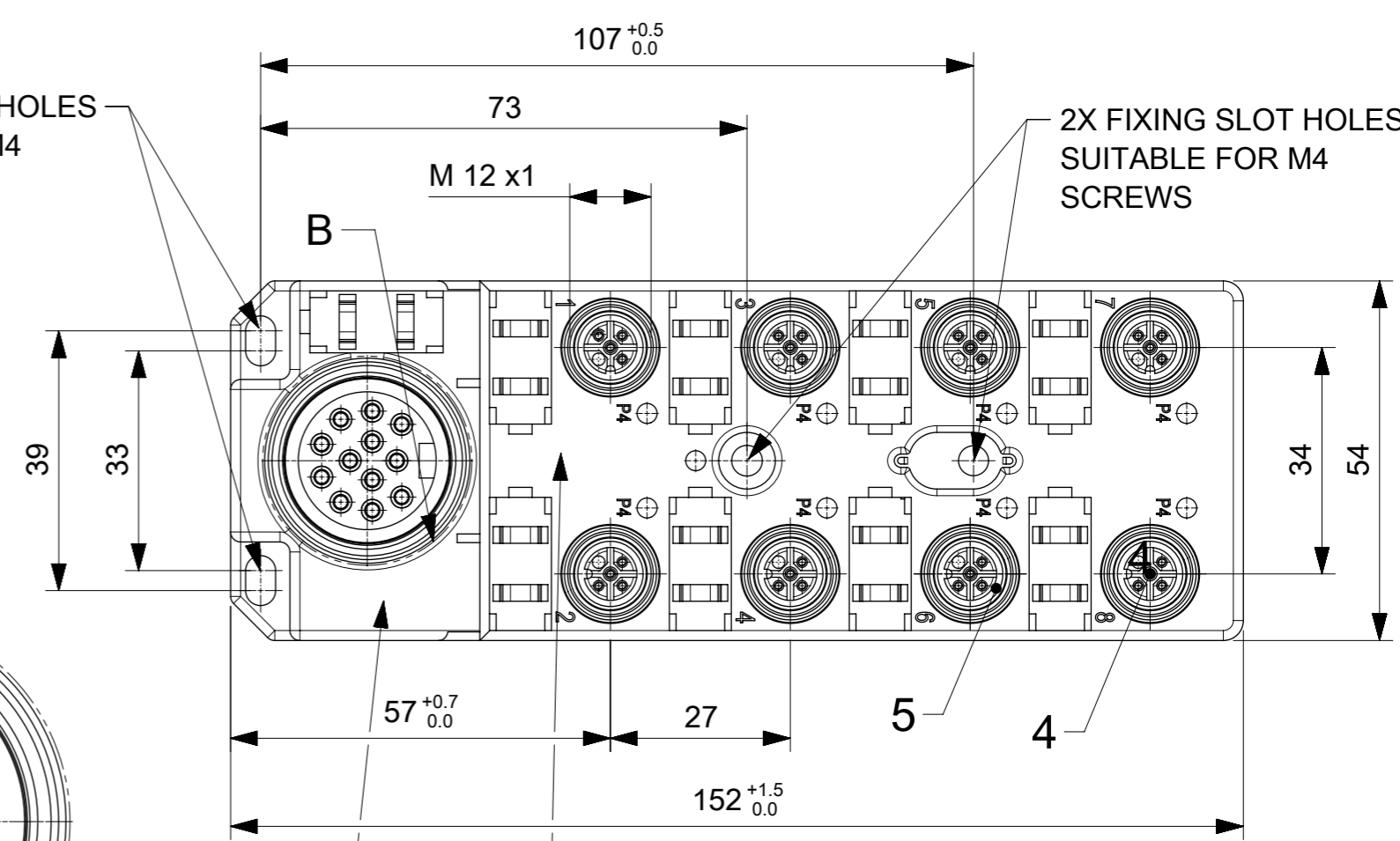
ITEM	DESCRIPTION	MATERIAL	FINISH
1	LABEL	ABS	WHITE
2	SHELL	BRASS	NICKEL PLATED
3	CONTACT	BRASS	GOLD OVER NICKEL
4	CONTACT	BRONZE	GOLD OVER NICKEL
5	O-RING	FPM	RED
6	LED	NO LED = PA	BLACK
		WITH LED = PA	TRANSPARENT
7	SHELL	BRASS	NICKEL PLATED
8	HOUSING	PBT	BLACK

2X FIXING SLOT HOLES  
SUITABLE FOR M4  
SCREWS

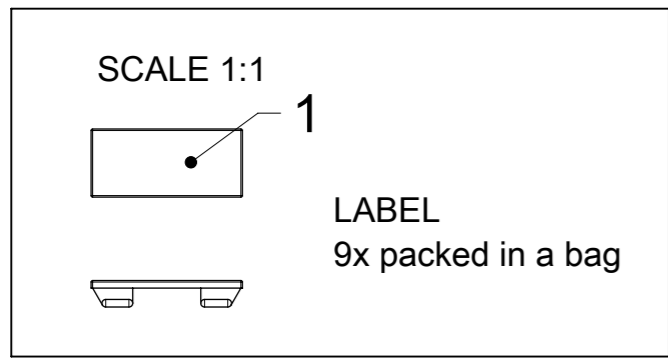
2X FIXING SLOT HOLES  
SUITABLE FOR M4  
SCREWS



**DETAIL B**  
**SCALE 2:1**  
NOTE - PIN 12 NOT USED

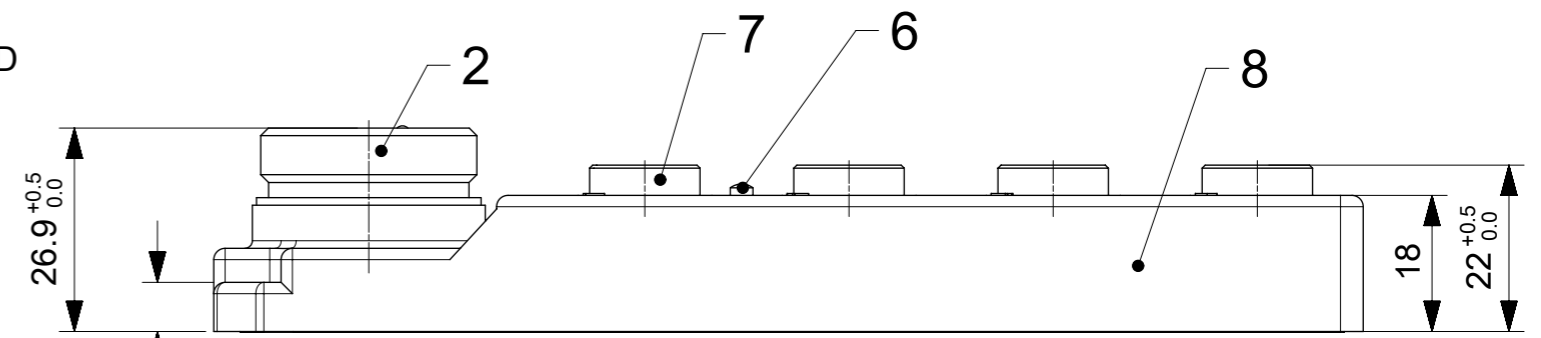


LASER PRINTING:  
PN: 120248XXXX  
ENG.: BTB801X-FBB  
PO: XXXXXXXXXX



SCALE 1:1

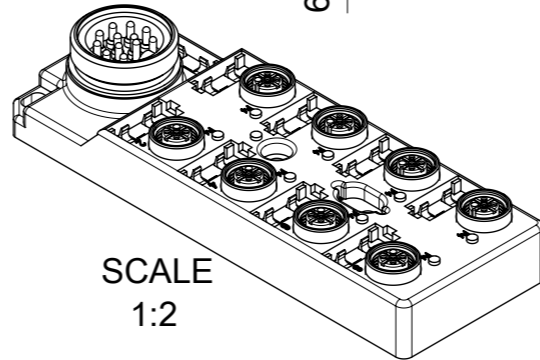
LABEL  
9x packed in a bag



**GENERAL CHARACTERISTICS:**

ELECTRICAL AND MECHANICAL DATA ACC. TO IEC 61076-2-101

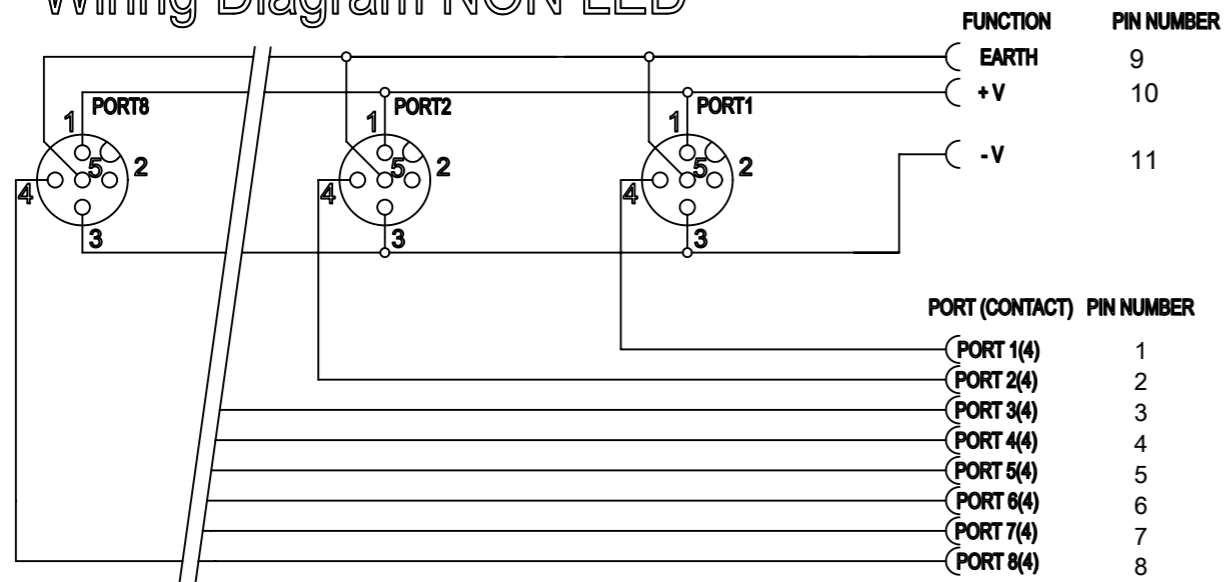
NOMINAL VOLTAGE: 10-30 V DC  
 AMPERE RATING: 4 A PER PORT / 12 A MAX  
 AMPERE RATING WITH UL REGISTRATION: 3 A PER PORT / 9 A MAX  
 IP DEGREE OF PROTECTION: IP 67  
 TEMPERATURE RANGE: -25°C to + 85°C



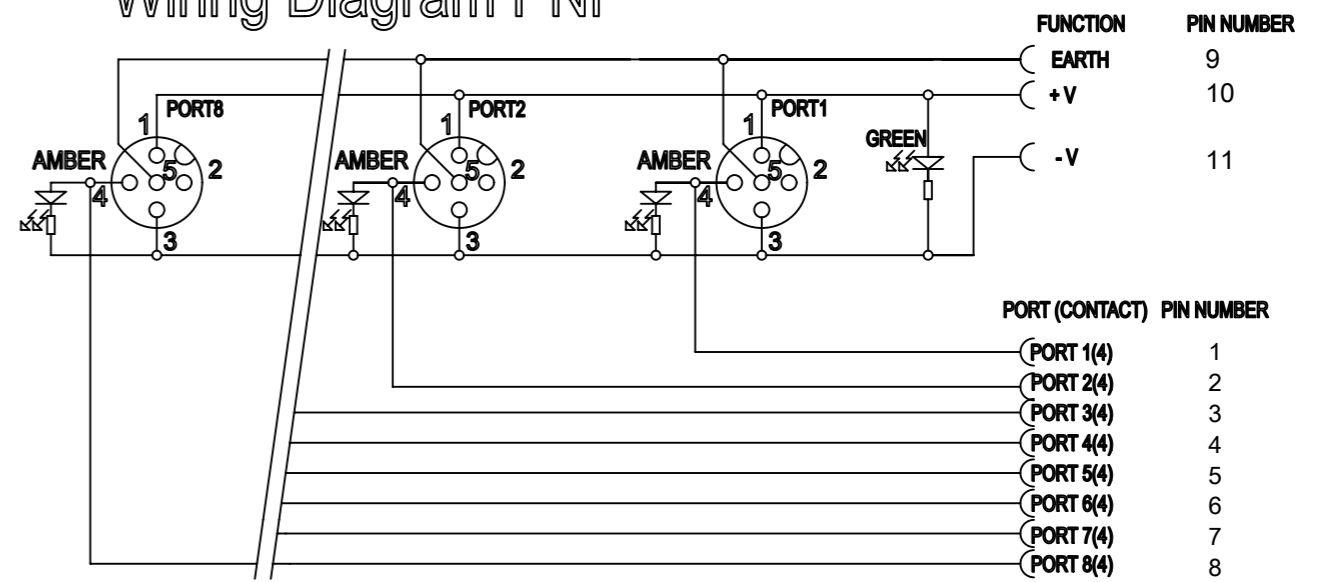
SCALE 1:2

SYMBOLS		THIS DRAWING CONTAINS INFORMATION THAT IS PROPRIETARY TO MOLEX ELECTRONIC TECHNOLOGIES, LLC AND SHOULD NOT BE USED WITHOUT WRITTEN PERMISSION	
DIMENSION UNITS	SCALE	CURRENT REV DESC:	LASER PRINT UPDATE
mm		EC NO: 606042	2018/08/31
GENERAL TOLERANCES (UNLESS SPECIFIED)		DRWN: SSM	2018/10/18
ANGULAR TOL ± °		CHK'D: RSILLER	2018/10/18
▽ = 0	4 PLACES ±	APPR: RSILLER	2018/10/18
▽ = 0	3 PLACES ±	INITIAL REVISION:	
▽ = 0	2 PLACES ±	DRWN: AAHLERS	2015/04/07
▽ = 0	1 PLACE ±	APPR: RSILLER	2017/01/18
▽ = 0	0 PLACES ± 0.25	THIRD ANGLE PROJECTION	
□ = 0	DRAFT WHERE APPLICABLE MUST REMAIN WITHIN DIMENSIONS	DRAWING	SERIES
▽ = 0		A3-SIZE	120248
		MATERIAL NUMBER	CUSTOMER
		1202480073	GENERAL MARKET
		DOCUMENT NUMBER	DOC TYPE DOC PART REVISION
		PSD	000 B
		SHEET NUMBER	
		1 OF 2	

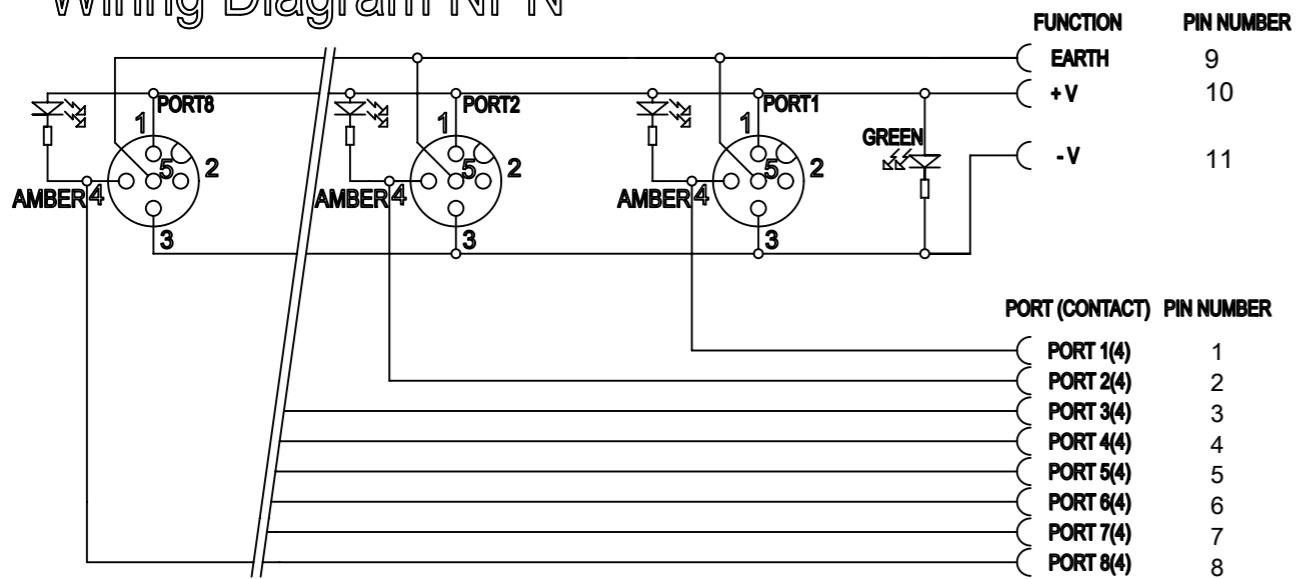
### Wiring Diagram NON LED



### Wiring Diagram PNP



### Wiring Diagram NPN



<b>SYMBOLS</b> ▽ = 0 ▽ = 0 ▽ = 0 ▽ = 0 ▽ = 0 ▽ = 0 ▽ = 0 ▽ = 0 ▽ = 0 ▽ = 0	THIS DRAWING CONTAINS INFORMATION THAT IS PROPRIETARY TO MOLEX ELECTRONIC TECHNOLOGIES, LLC AND SHOULD NOT BE USED WITHOUT WRITTEN PERMISSION DIMENSION UNITS: <b>mm</b> SCALE:	CURRENT REV DESC: LASER PRINT UPDATE EC NO: 606042 DRWN: SSM 2018/08/31 CHK'D: RSILLER 2018/10/18 APPR: RSILLER 2018/10/18	 MPIS M12 PNP NPN NOS 4P 8PT 12P MC BK STA SINGLE		
	GENERAL TOLERANCES (UNLESS SPECIFIED) ANGULAR TOL ± ° 4 PLACES ± 3 PLACES ± 2 PLACES ± 1 PLACE ± 0 PLACES ± 0.25	INITIAL REVISION: DRWN: AAHLERS 2015/04/07 APPR: RSILLER 2017/01/18			
	DRAFT WHERE APPLICABLE MUST REMAIN WITHIN DIMENSIONS THIRD ANGLE PROJECTION DRAWING: A3-SIZE SERIES: 120248 MATERIAL NUMBER: SEE TABLE 1 CUSTOMER: GENERAL MARKET SHEET NUMBER: 2 OF 2				