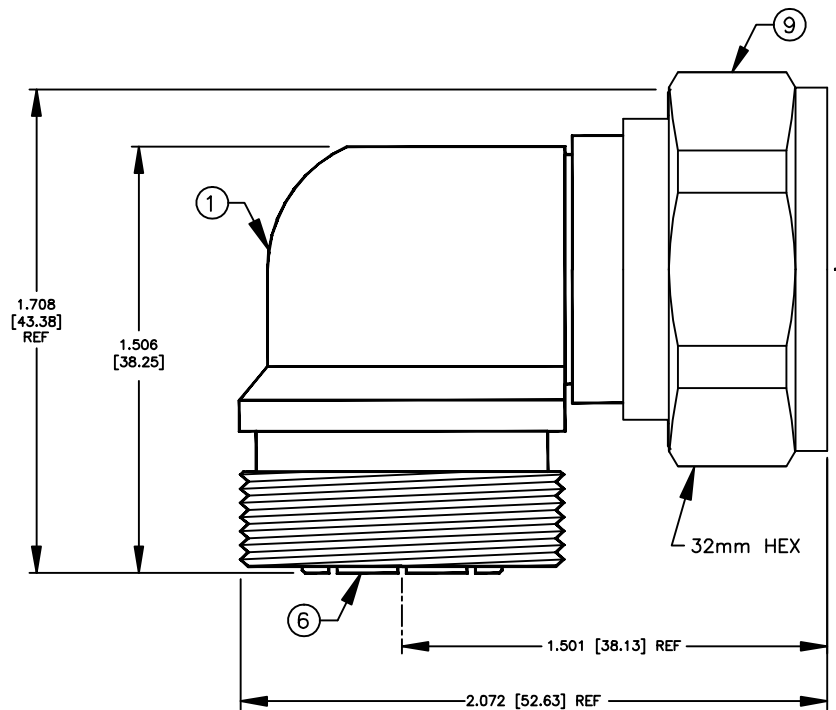


PART NO.

P2RFD-1652-SS

REV	DESCRIPTION	DWN	DATE	APPROVED
-	RELEASE	JDM	05/25/16	JDM

**SPECIFICATIONS:**

IMPEDANCE: 50 OHMS
 FREQUENCY RANGE: DC-7.5 GHz
 PEAK POWER: 13.2 Kw max.
 AVERAGE POWER: 3.0 Kw max.
 VSWR MAX: <1.1:1 @ DC-7.5 GHz
 INSERTION LOSS: $-0.1 \text{ dB} \times \sqrt{\text{FREQUENCY GHz}}$
 PIM: $\leq -160 \text{ dBc}$ @ 700 MHz
 PIM: $\leq -160 \text{ dBc}$ @ 1900 MHz
 TEMPERATURE RANGE: -55°C TO 165°C
 RoHS COMPLIANT

ITEM	DESCRIPTION	PART NUMBER	QTY	MATERIAL	FINISH
9	HEX NUT	012-16M-004-SP	1	SST 303	PASSIVATE
8	O-RING	GSO-211	1	S.I. RUBBER	RED
7	GROUND RING	014-16M0001BE	1	BRASS	TRI-METAL
6	GROUND RING	014-16F0001CE	1	BeCu	TRI-METAL
5	INSULATOR	010-16X0001TX	2	PTFE	NONE
4	CONTACT SHAFT	013-16X0005BE	1	BRASS	SILVER
3	PIN	009-16M0001BE	1	BRASS	SILVER
2	CONTACT	008-16F0001CE	1	BeCu	SILVER
1	BODY	001-16F0003BE	1	BRASS	TRI-METAL

CUSTOMER
OUTLINE DRAWINGALL DIMENSIONS
ARE REFERENCE ONLYUNLESS OTHERWISE SPECIFIED:
DIMENSIONS ARE IN INCHES
AND [MILLIMETERS]

DRAWN	JDM	5/31/17
CHECKED		
ORJ DRAWN	DM	5/31/17

PROPRIETARY AND CONFIDENTIAL
 THIS DRAWING CONTAINS
 INFORMATION PROPRIETARY TO
 RF INDUSTRIES. ANY
 UNAUTHORIZED USE OF THIS
 DRAWING IS EXPRESSLY
 PROHIBITED WITHOUT WRITTEN
 PERMISSION FROM RF
 INDUSTRIES. ANY VIOLATION IS
 PUNISHABLE UNDER U.S.
 COPYRIGHT LAWS.

RFconnectors
 DIVISION OF RF INDUSTRIES, LTD.

7610 MIRAMAR RD.
 SAN DIEGO, CA 92126
 (858) 549-6340
 (858) 549-6345 FAX

**7/16 DIN MALE TO
 7/16 DIN FEMALE R/A**

SIZE	CABLE GROUP	DWG NO.	REV
A	N/A	P2RFD-1652-SS	—
SCALE:	ENGINEERING ID:	000000	SHEET 1 OF 1
NTS			