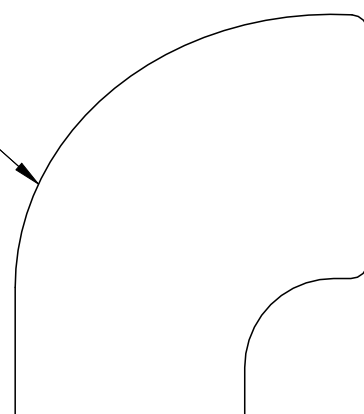
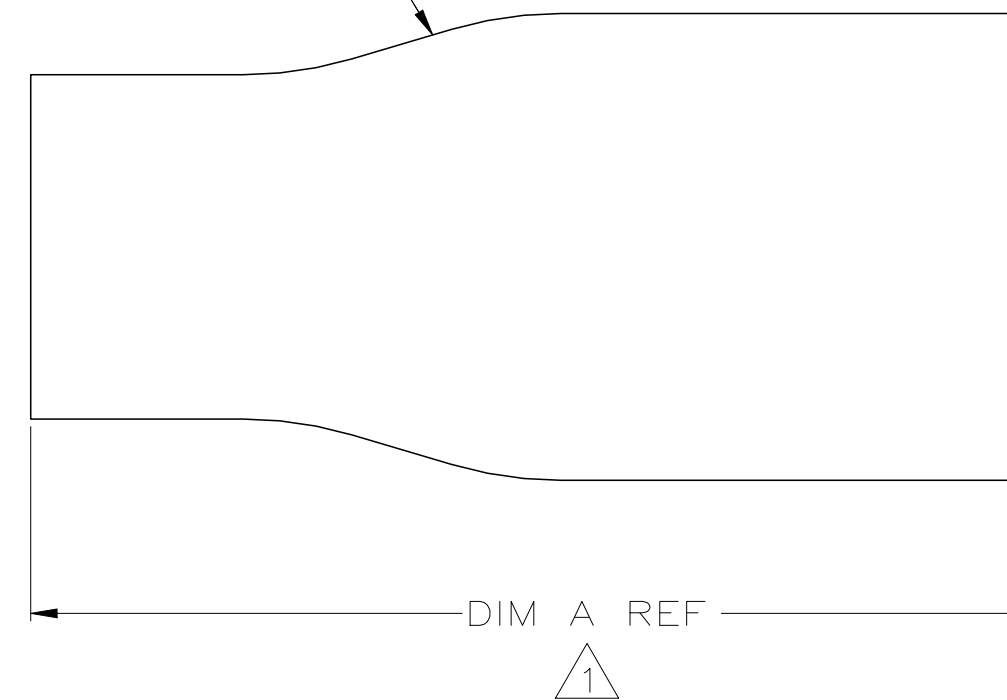


| REVISIONS |     |                       |           |       |
|-----------|-----|-----------------------|-----------|-------|
| P         | LTR | DESCRIPTION           | DATE      | APVD  |
| L         |     | REV PER ECO 21-007489 | 28JUL2021 | LN DM |

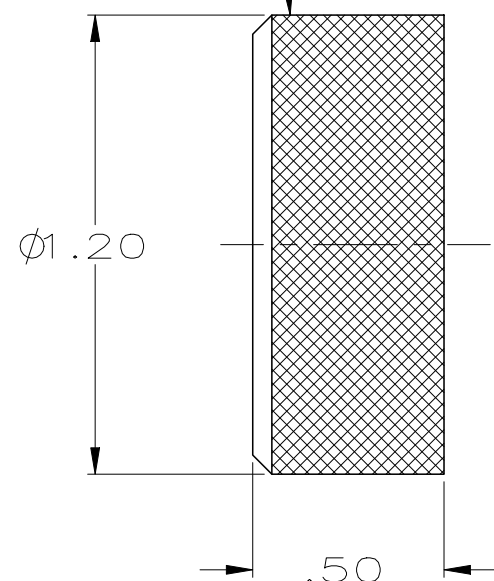
BOOT, SHRINKABLE, 90°  
MAT'L: POLYOLEFIN



BOOT, SHRINKABLE, STRAIGHT  
MAT'L: ELASTOMER/SILVER COMPOSITE



CAP  
MAT'L: BRASS  
FINISH: NICKEL  
OVER COPPER FLASH

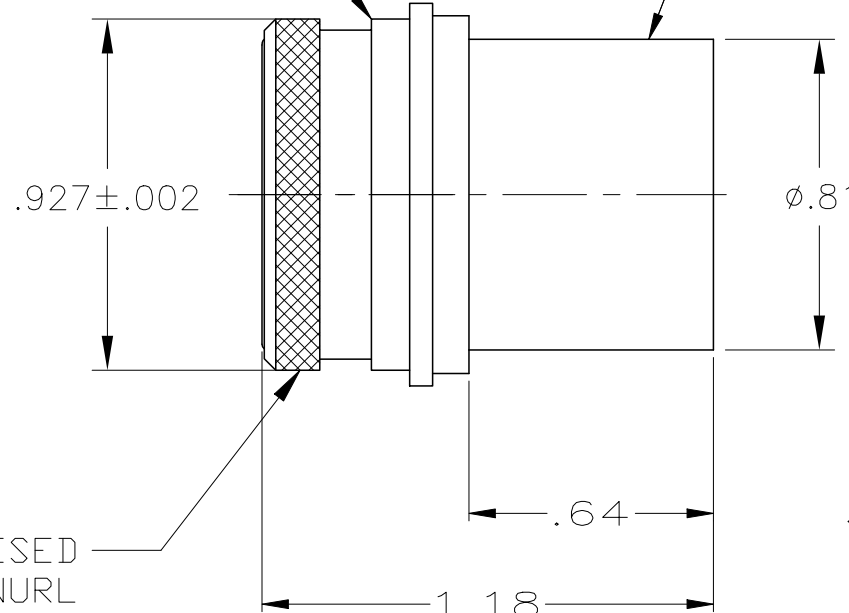


FERRULE  
MAT'L: BRASS  
FINISH: NICKEL  
OVER COPPER FLASH

2 -5 ONLY

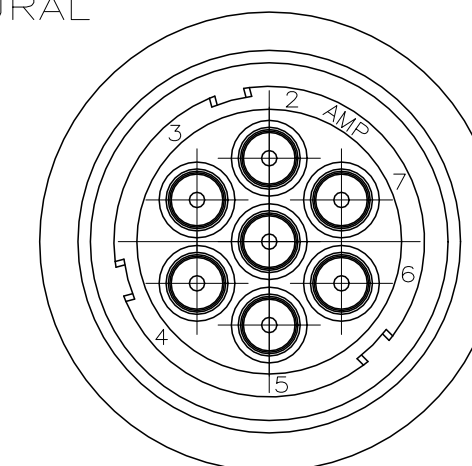
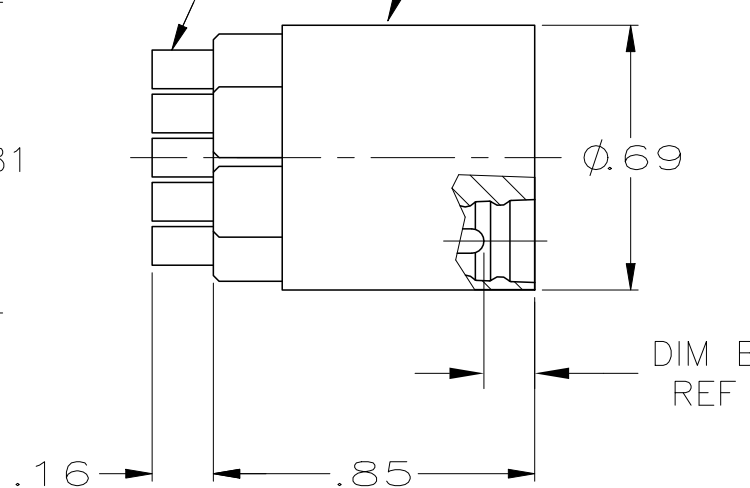
HOUSING  
MAT'L: POLYESTER

.128 DP RAISED  
DIAMOND KNURL



SOCKET END

SLUG  
MAT'L: SEE TABLE  
COLOR: NATURAL



- 1 REF. DIMENSION "A" APPLIES ONLY AFTER SHRINKING OF SHRINK BOOT.
- 2 FERRULE IS NOT ATTACHED TO PLUG HOUSING. (-5 ONLY)
- 3 SLUG MATERIAL: SILICONE RUBBER
- 4 SLUG MATERIAL: FLUROELASTOMER COMPOUND

| 4       | .305      | -       | NO SHRINKABLE BOOT       | 865656-7    |
|---------|-----------|---------|--------------------------|-------------|
| 3       | .265      | -       | NO SHRINKABLE BOOT       | 865656-6    |
| 3 2     | .305      | -       | NO SHRINKABLE BOOT       | 865656-5    |
| 3       | .305      | 3.15    | STRAIGHT SHRINKABLE BOOT | 865656-4    |
| 3       | .305      | -       | NO SHRINKABLE BOOT       | 865656-3    |
| 3       | .305      | -       | 90° SHRINKABLE BOOT      | 865656-2    |
| 3       | .305      | 2.63    | STRAIGHT SHRINKABLE BOOT | 865656-1    |
| REMARKS | DIM B REF | DIM A 1 | DISCRIPTION              | PART NUMBER |

THIS DRAWING IS A CONTROLLED DOCUMENT.

|                                |   |
|--------------------------------|---|
| DWN<br>C.C.THOMAS<br>7-15-96   | TE Connectivity                         |
| CHK<br>S.GLATFELTER<br>8-13-96 |   |
| APVD<br>-                      | NAME                                    |
| PRODUCT SPEC<br>-              | PLUG KIT, 7 PIN MINIATURE, LGH          |
| APPLICATION SPEC<br>-          | SIZE CAGE CODE DRAWING NO RESTRICTED TO |
| WEIGHT<br>0.000000             | A2 00779 C=865656                       |
| CUSTOMER DRAWING               | SCALE 2:1 SHEET 1 OF 1 REV L            |