

TECHNICAL CHARACTERISTICS

MATERIAL  
 INSULATOR: NYLON 9T  
 FLAMMABILITY RATING: UL94-V0  
 COLOR: BEIGE  
 CONTACT MATERIAL: COPPER ALLOY  
 CONTACT TYPE: STAMPED  
 CONTACT PLATING: TIN  
 QUALITY CLASS: 25 MATING CYCLES  
 PITCH: 2.00 MM

ENVIRONMENTAL  
 OPERATING TEMPERATURE: -25 UP TO 85°C  
 COMPLIANCE: LEAD FREE AND ROHS

ELECTRICAL  
 CURRENT RATING: 2 A  
 WORKING VOLTAGE: 100 VAC  
 INSULATOR RESISTANCE: >1000 MOHM  
 DIELECTRIC WITHSTANDING VOLTAGE: 800 VAC/MN  
 CONTACT RESISTANCE: 20 mOHM MAX

STANDARD  
 IEC 60320-1 CERTIFIED: E323964

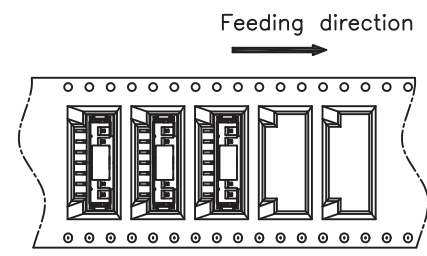
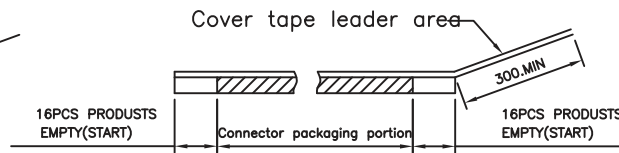
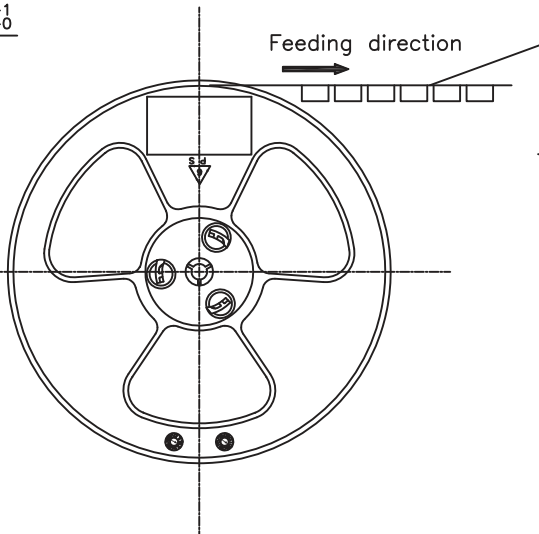
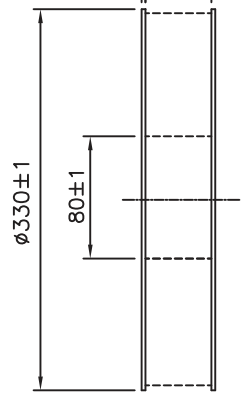
SOLDERING  
 JEDEC LEAD FREE REFLOW SOLDERING PROCESS

PACKAGING  
 TAPE AND REEL WITH CAP

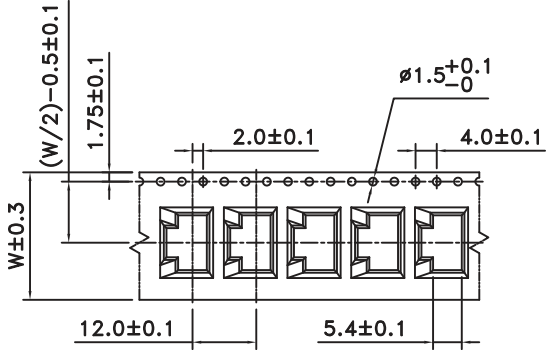
Poles	Dimensions(mm)		
	A	B	C
2	2.00	8.00	5.00
3	4.00	10.00	7.00
4	6.00	12.00	9.00
5	8.00	14.00	11.00
6	10.00	16.00	13.00
7	12.00	18.00	15.00
8	14.00	20.00	17.00
9	16.00	22.00	19.00
10	18.00	24.00	21.00
11	20.00	26.00	23.00
12	22.00	28.00	25.00
13	24.00	30.00	27.00
14	26.00	32.00	29.00
15	28.00	34.00	31.00
16	30.00	36.00	33.00

				PROJECTION: 	GENERAL TOLERANCE .X = +/- 0.2 .XX = +/- 0.15		DESCRIPTION: 2.00 MM SMT MALE VERTICAL SHROUDED HEADER WERI PART NO: 620 3xx 124 022	SIZE <b>A4</b>
J	01-FEV-18	CORRECTION PCN	AK	APPROVAL: BBU	UNIT: MM			
I	22-DEC-17	PCN	AK		SCALE:			
H	30-AUG-16	TPK	AK		SHEET: 1/4			
REV	DATE	FILE	BY		DRAW:			

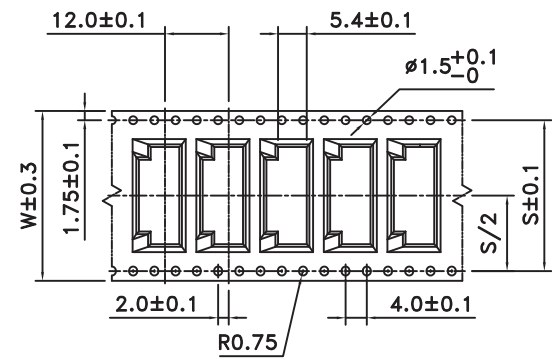
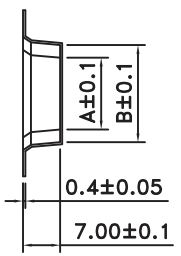
2.0±0.2      W+0.5<sup>+1</sup><sub>-0</sub>



- Note:  
 • Q' ty : 750 Pcs / Reel  
 • Length: ≥10.3m/Reel



Poles at 2~6



Poles at 7~16

Poles	Dimensions(mm)			
	S	W	A	B
2			3.55	8.4
3			5.55	10.4
4		24.0	7.55	12.4
5			9.55	14.4
6			11.5	16.4
7	28.4	32.0	13.5	18.4
8			15.5	20.4
9			17.5	22.4
10			19.5	24.4
11	40.4	44.0	21.5	26.4
12			23.5	28.4
13			25.5	30.4
14			27.5	32.4
15	52.4	56.0	29.5	34.4
16			31.5	36.4

G			
F			
E			
D			
C			
B			
A			
REV	DATE	FILE	BY

PROJECTION:

GENERAL TOLERANCE  
 .X = +/\_ 0.2  
 .XX = +/\_ 0.15

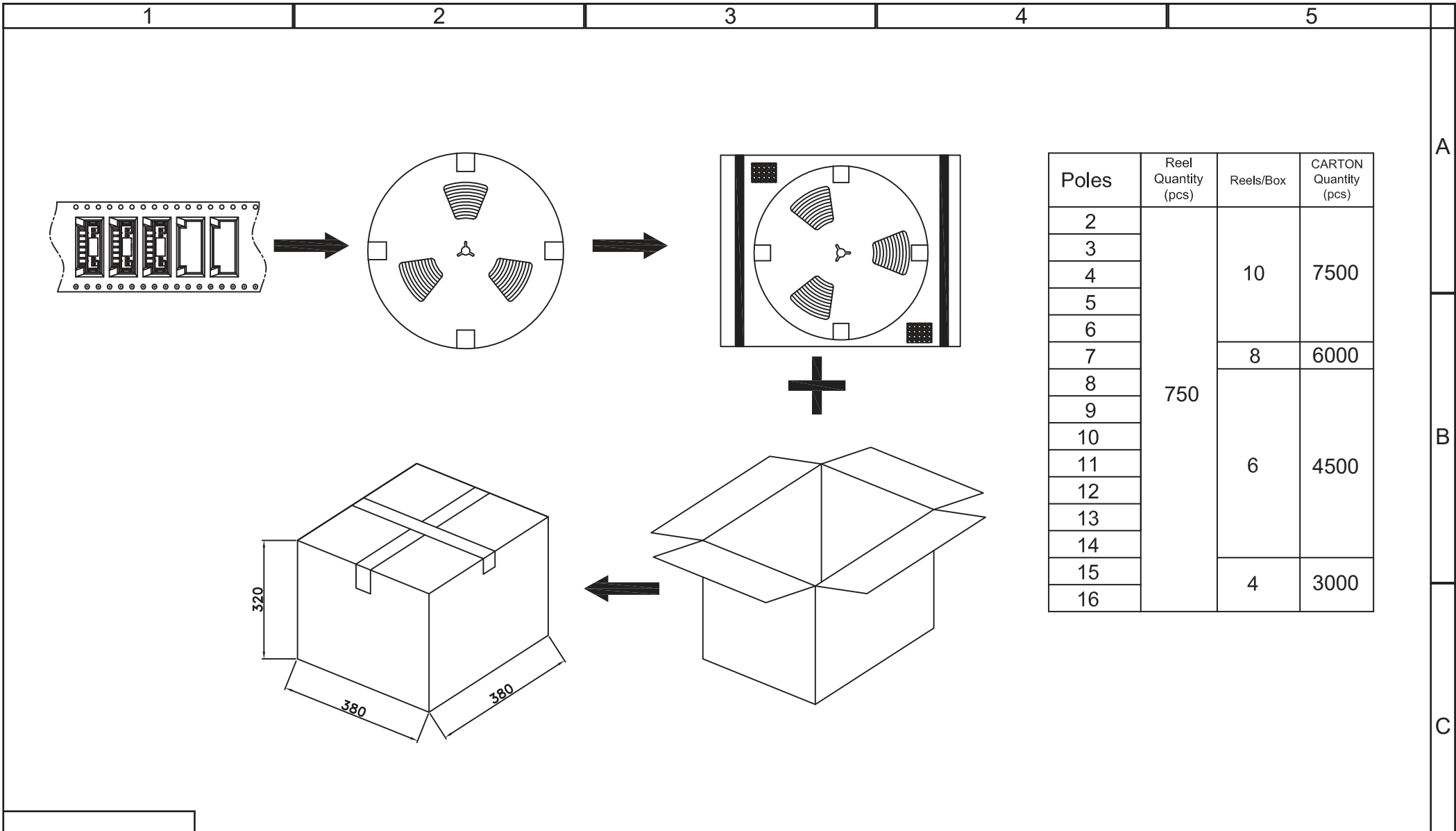
APPROVAL: BBU

UNIT: MM  
 SCALE:  
 SHEET: 2/4  
 DRAW : AK

DESCRIPTION: 2.00 MM SMT MALE VERTICAL SHROUDED HEADER

WERI PART NO: 620 3xx 124 022

SIZE  
**A4**



Poles	Reel Quantity (pcs)	Reels/Box	CARTON Quantity (pcs)
2	750	10	7500
3			
4			
5			
6		8	6000
7			
8		6	4500
9			
10			
11			
12			
13			
14		4	3000
15			
16			

G				PROJECTION: 	GENERAL TOLERANCE .X = +/- 0.2 .XX = +/- 0.15		
F							
E							
D							
C				APPROVAL: BBu	UNIT: MM	DESCRIPTION: 2.00 MM SMT MALE VERTICAL SHROUDED HEADER	
B					SCALE:		
A					SHEET: 3/4		WERI PART NO: 620 3xx 124 022
REV	DATE	FILE	BY		DRAW : AK		

SIZE  
**A4**

1

2

3

4

5

## Cautions and Warnings:

This electronic component is designed and developed with the intention for use in general electronics equipments.

Before incorporating the components into any equipments in the field such as aerospace, aviation, nuclear control, submarine, transportation, (automotive control, train control, ship control), transportation signal, disaster prevention, medical, public information network etc. where higher safety and reliability are especially required or if there is possibility of direct damage or injury to human body, Würth Elektronik must be asked for a written approval.

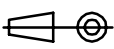

In addition, even electronic component in general electronic equipments, when used in electrical circuits that require high safety, reliability functions or performance, the sufficient reliability evaluation-check for the safety must be performed before by the user before usage.

A

B

C

RoHS Compliant

G				PROJECTION: 	GENERAL TOLERANCE .X = +/- 0.2 .XX = +/- 0.15	 <b>WÜRTH ELEKTRONIK</b>	
F							
E							
D							
C				APPROVAL: JC	UNIT: MM	DESCRIPTION: DISCLAIMER	SIZE <b>A4</b>
B					SCALE:		
A	10-SEP-14	PDF	QL		SHEET: 4/4	WERI PART NO: DISCLAIMER	
REV	DATE	FILE	BY		DRAW: QL		

D