

1

2

3

4

FCI PART NO.

10129385-P0009YYLF

REV

ECN NO

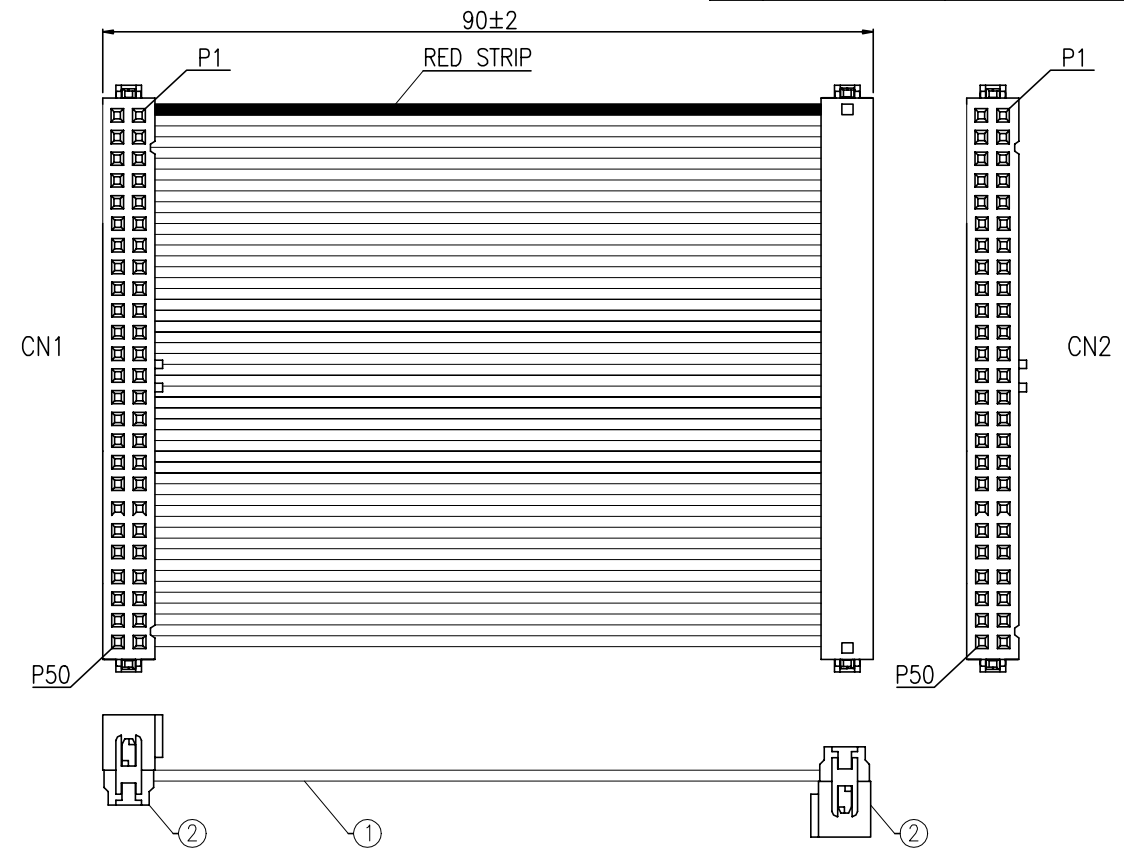
DESCRIPTION

B

ELX-N-19694-1

MODIFY "UNIT"

WIRING LIST	
CN1	CN2
1	1
2	2
3	3
4	4
5	5
...	...
47	47
48	48
49	49
50	50



NOTES:

1. MATERIAL: SEE BOM ON SHEET 1.
2. THIS DIMENSION IS A FINISHED PRODUCT LENGTH.
3. ALL CABLE ASSEMBLIES SHALL BE TESTED 100% FOR CONTINUITY AS DEFINED IN WIRING LIST.
4. UNLESS OTHERWISE SPECIFIED ALL CABLE ASSEMBLIES SHALL BE TESTD:
 HI-POT: DC 300V/10ms
 DIELECTRIC RESISTANCE: 10M Ohms MIN.
 CONNECTION RESISTANCE: 3 Ohms MAX.
5. LEAD FREE PRODUCTS MEET EUROPEAN UNION DIRECTIVES AND OTHER COUNTRY REGULATIONS AS DESCRIBED IN GS-22-008.



2	EA	IDC CONN: 2.54PITCH 2*25PIN, 0.76um Au, WITH CENTRAL KEY AND WITHOUT STRAIN RELIEF, FCI P/N:71600-150LF	2
A/R	M	FLAT CABLE: 1.27PITCH 28AWG*50C, UL2651, COLOR:GRAY	1
Q'TY	UNIT	DESCRIPTION	ITEM

TOLERANCES UNLESS OTHERWISE SPECIFIED			tolerance std	material	dr	Carl Wang	2014-12-10	projection	MM	size	A3	scale	N/A	
linear	X.	±	surface ✓	mat code	eng	Carl Wang	2014-12-10		← →	ecn no		rel level		
	0.XX	±		heatreat	chr	Guo-Feng Jin	2014-12-10			product family				
	0.XXX	±		plating/finish	appr	Guo-Feng Jin	2014-12-10	title		QUICKIE IDC CABLE ASSEMBLY	dwg no	10129385-P0009YYLF	rev	B
	0.XXXX	±		spec ref	www.fci.com		cat. no.	Product - Customer Drw		sheet 1 of 1				
	0	±		model name	model revision									

1

2

3

