

LEAD FREE

500161-4786	478
MATERIAL NO.	CIRCUIT

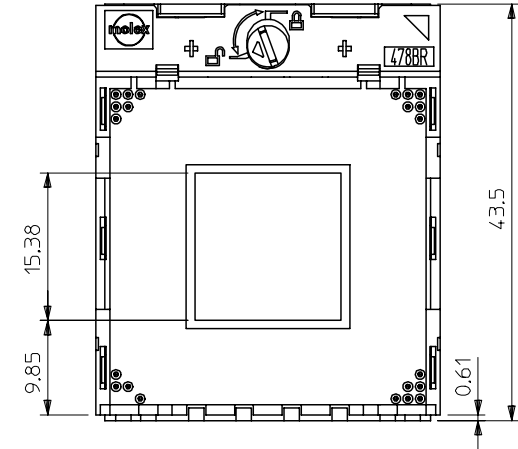
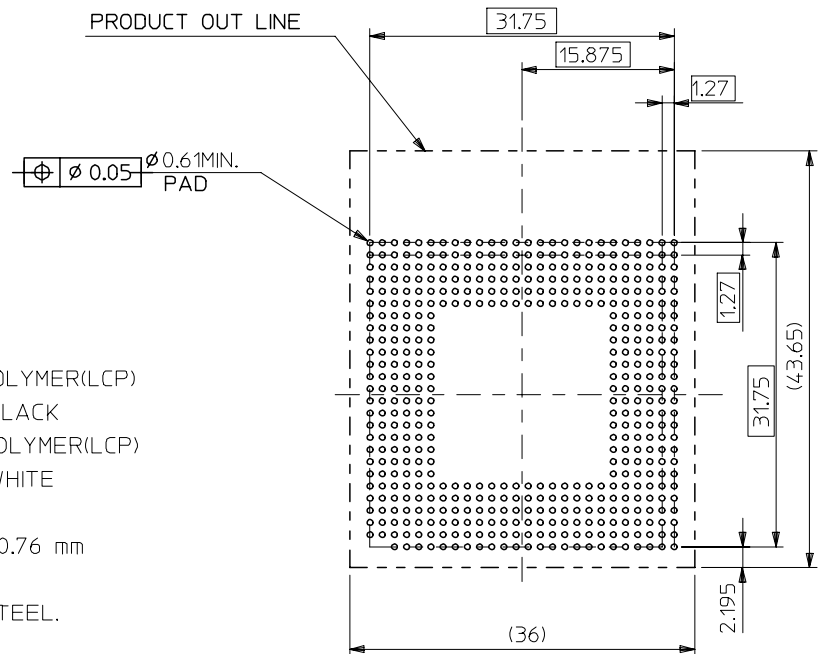
REVISE ON CAD ONLY

REVISED	QUALITY SYMBOLS
EC NO: SH2006-0636	▽ = 0
DRWN: SMCHEN 2006/05/05	▽ = 0
CHKD: 2006/05/05	
APPR: JINCHEN 2006/05/09	
DESCRIPTION	
REV	

GENERAL TOLERANCES (UNLESS SPECIFIED)	
	mm INCH
4 PLACES	± --- ± ---
3 PLACES	± --- ± ---
2 PLACES	± 0.20 ± ---
1 PLACE	± 0.25 ± ---
ANGULAR ± 2 °	
DRAFT WHERE APPLICABLE	
MUST REMAIN WITHIN DIMENSIONS	

SCALE	DESIGN UNITS
	METRIC
DIMENSION STYLE	
MM ONLY	
DRAWN BY	DATE
AYIN	2004/07/20
CHECKED BY	DATE
JCHIANG	2004/07/20
APPROVED BY	DATE
VYAP	2004/07/20

THIRD ANGLE PROJECTION	TITLE
	MPGA478BR SOCKET LEAD FREE TYPE TRAY PACKAGE
MATERIAL NO.	DOCUMENT NO.
SEE CHART	SD-500161-003
SHEET NO. 1 OF 3	
THIS DRAWING CONTAINS INFORMATION THAT IS PROPRIETARY TO MOLEX INCORPORATED AND SHOULD NOT BE USED WITHOUT WRITTEN PERMISSION	



OPEN CONDITION

RECOMMENDED P.C. BOARD LAYOUT

NOTES:

- MATERIAL  
 HOUSING: LIQUID CRYSTAL POLYMER(LCP)  
 UL 94V-0, COLOR BLACK  
 COVER : LIQUID CRYSTAL POLYMER(LCP)  
 UL 94V-0, COLOR WHITE  
 CONTACT: COPPER ALLOY  
 SOLDER BALL: Sn-Ag-Cu,  $\varnothing 0.76$  mm  
 CAM : STAINLESS STEEL  
 CAM HOLDER : STAINLESS STEEL.

- PLATING  
 CONTACT AREA : GOLD 0.25 MICROMETER MIN.  
 UNDER PLATING: NICKEL 1.5 MICROMETER MIN.

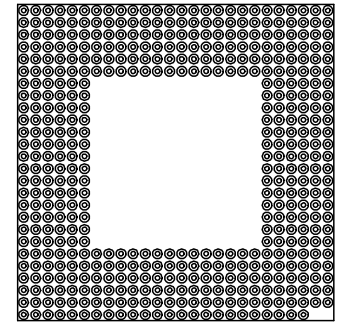
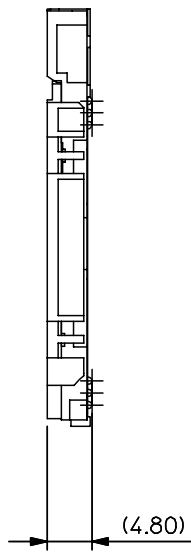
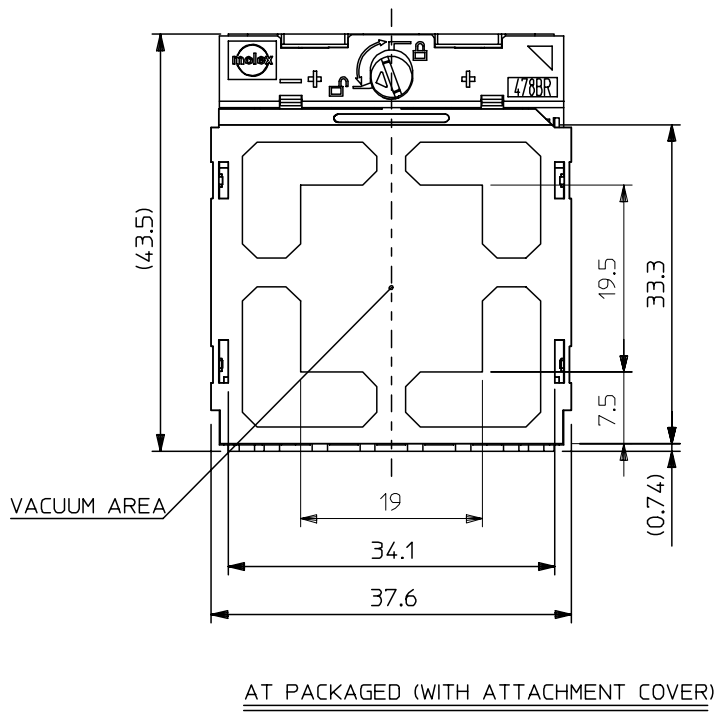
- SOLDER BALL COPLANARITY : 0.20mm MAX.

DATE CODE  
 \*\*\*\*\*  
 DAY (01-31)  
 MONTH (01-12)  
 YEAR (0-9)

\*\*\*\*\*  
 NONE: LEAD SOCKET.LF:LEAD-FREE SOCKET

- PRODUCT SPECIFICATION REFER TO PS-51248-020

REVISED EC NO: SH2006-0636 DRWN: SMCHEN 2006/05/05 CHKD: 2006/05/05 APPR: JNCHEN 2006/05/09	QUALITY SYMBOLS ▽ 0 ▽ 0	GENERAL TOLERANCES (UNLESS SPECIFIED)		SCALE N/A	DESIGN UNITS METRIC	THIRD ANGLE PROJECTION	REVISE ON CAD ONLY
		4 PLACES ± --- ± --- 3 PLACES ± --- ± --- 2 PLACES ± 0.20 ± --- 1 PLACE ± 0.25 ± --- ANGULAR ± 2 °	DIMENSION STYLE MM ONLY	TITLE MPGA478BR SOCKET LEAD FREE TYPE TRAY PACKAGE			
DESCRIPTION DRAFT WHERE APPLICABLE MUST REMAIN WITHIN DIMENSIONS	DRAWN BY AYIN		DATE 2004/07/20		MOLEX INCORPORATED		
	CHECKED BY JCHIANG		DATE 2004/07/20		MATERIAL NO. SEE SHEET 1	DOCUMENT NO. SD-500161-003	SHEET NO. 2 OF 3
THIS DRAWING CONTAINS INFORMATION THAT IS PROPRIETARY TO MOLEX INCORPORATED AND SHOULD NOT BE USED WITHOUT WRITTEN PERMISSION							



USING INTERPOSER (PIN SIDE VIEW)

AT PACKAGED (WITH ATTACHMENT COVER)

REVISED EC NO: SH2006-0636 DRWN: SMCHEN 2006/05/05 CHKD: 2006/05/05 APPR: JINCHEN 2006/05/09	QUALITY SYMBOLS	GENERAL TOLERANCES (UNLESS SPECIFIED)		SCALE N/A	DESIGN UNITS METRIC	THIRD ANGLE PROJECTION	REVISE ON CAD ONLY	
	DESCRIPTION ▽ = 0 ▽ = 0	mm	INCH	DIMENSION STYLE MM ONLY		TITLE MPGA478BR SOCKET LEAD FREE TYPE TRAY PACKAGE		
		4 PLACES ± --- ± ---	3 PLACES ± --- ± ---	DRAWN BY AYIN	DATE 2004/07/20	MATERIAL NO. MOLEX INCORPORATED		
		2 PLACES ± 0.20 ± ---	1 PLACE ± 0.25 ± ---	CHECKED BY JCHIANG	DATE 2004/07/20	DOCUMENT NO. SD-500161-003		
REV	DESCRIPTION	ANGULAR ± 2 °		APPROVED BY VYAP	DATE 2004/07/20	SHEET NO. 3 OF 3	B	
		DRAFT WHERE APPLICABLE MUST REMAIN WITHIN DIMENSIONS		THIS DRAWING CONTAINS INFORMATION THAT IS PROPRIETARY TO MOLEX INCORPORATED AND SHOULD NOT BE USED WITHOUT WRITTEN PERMISSION				