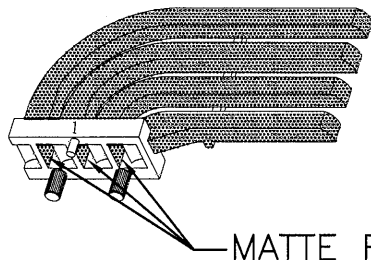
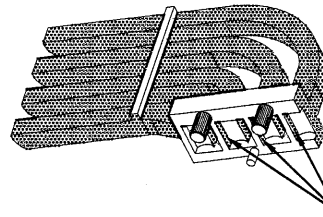


REVISIONS			
REV	DESCRIPTION	DATE	BY

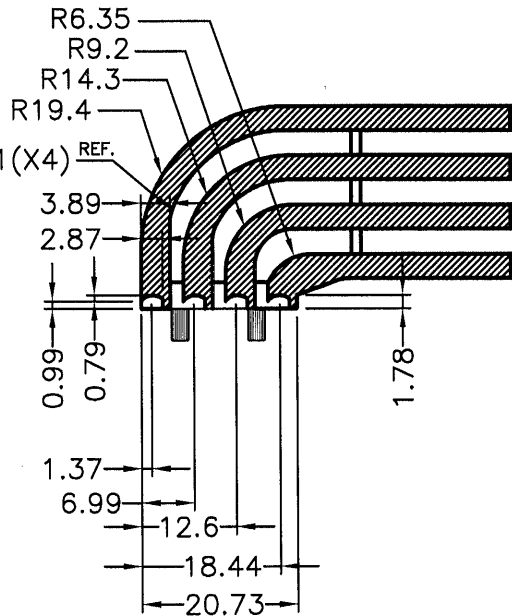
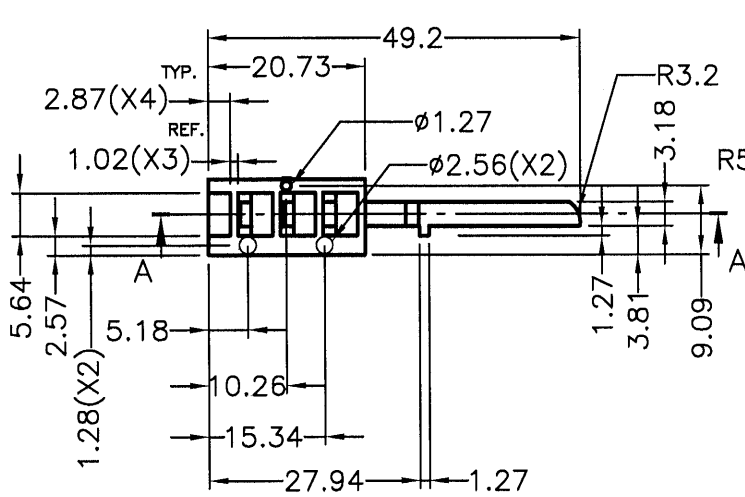
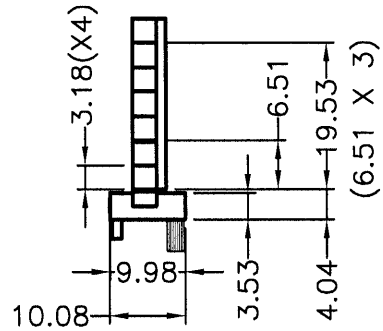
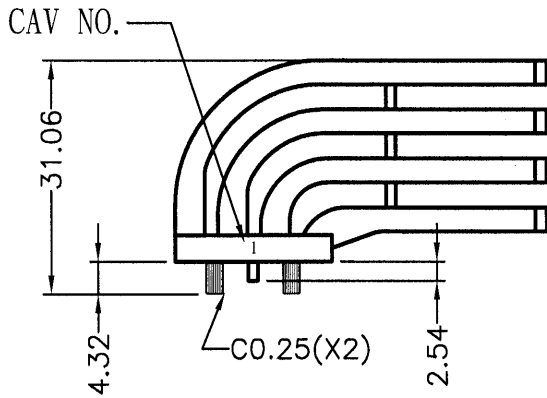


MATTE FINISH






MATTE FINISH

 = MATTE FINISH



SECTION A-A

 康揚企業股份有限公司 KANG YANG HARDWARE ENTERPRISE CO., LTD. 康揚塑膠(東莞)有限公司 KANG YANG PLASTIC(DONG GUAN) CO., LTD. 康哲電腦配件(吳江)有限公司 KANG CHE COMPUTER COMPONENTS(WUJIANG) CO., LTD.				TITLE	LIGHT PIPE	SPEC. DWG.	
				MATERIAL	PC UL94V-0	DATE	2014.01.10
				FINISH	SEE ABOVE	DRAWN	ROBERT
				COLOR	CLEAR	CHECK	
PART NUMBER	LPEB4-1V0	DRAWING NUMBER	LPEB4-1	UNLESS OTHERWISE SPECIFIED TOLERANCE	±0.25	APPROVED	
SIZE	A4	SCALE	1:1	UNIT	mm	REV	A