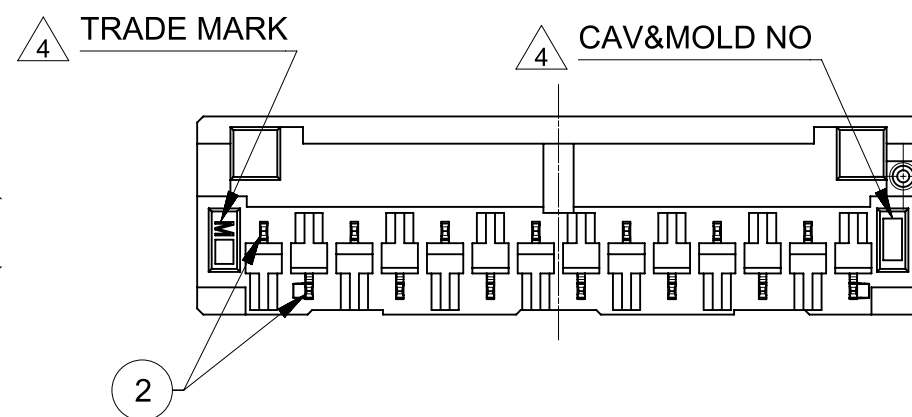
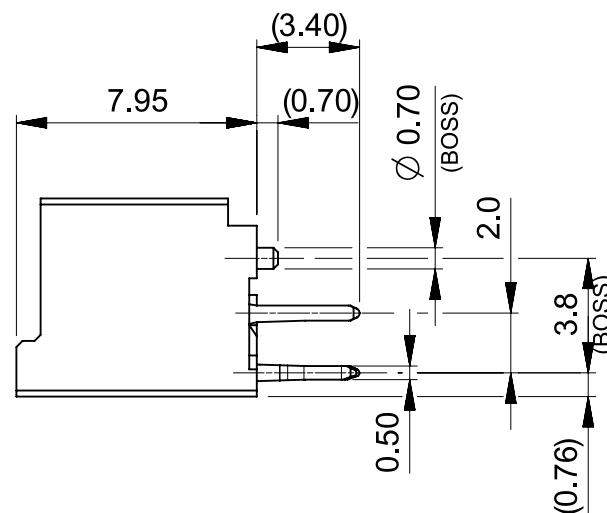


**NOTES**

- ① 極数/2 = 偶数に適合  
APPLY FOR CIRCUIT SIZE / 2 =EVEN
- ② 適用製品及び各種仕様書はSHEET 5を参照のこと  
REFER TO SHEET 5 ABOUT APPLICABLE PRODUCTS AND VARIOUS SPECIFICATIONS.

- ④ トレードマーク：Mプラス 1~2文字のアルファベットにて表示。(例：MXJ)  
但し、"J"はJAPANを表す。  
キャビティー番号：1~2桁の数字で構成。  
金型番号：アルファベット1文字にて構成。



- ③ オーダー番号(製品番号): SHEET 3の製品一覧を参照のこと  
ORDER No (PRODUCT No) : REFER TO SHEET 3 FOR PRODUCT LIST.

**503159 \*\*\*\***

シリーズ番号      極数      色  
SERIES NO      CIRCUIT SIZE      COLOR  
ボス有無  
WITH OR WITHOUT BOSS

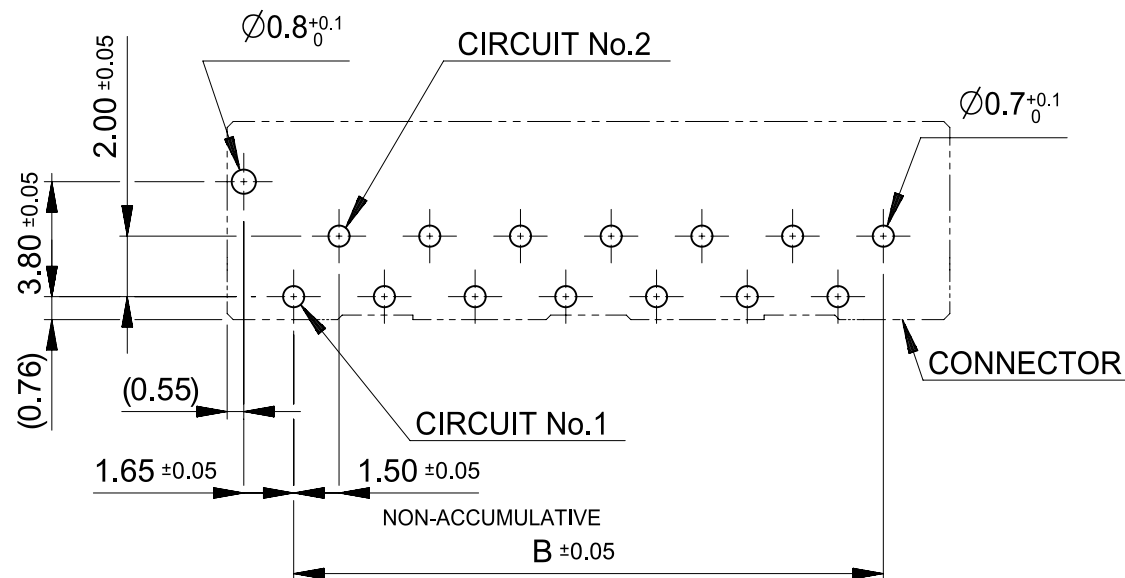
| CIRCUIT | BOSS                        | COLOR |                              |
|---------|-----------------------------|-------|------------------------------|
|         |                             | 0     | 1                            |
| 02~15   | 0: WITH BOSS<br>1: W/O BOSS | 0     | ナチュラル (ページユ) NATURAL (BEIGE) |
|         |                             | 1     | 黒 BLACK                      |
|         |                             | 2     | 赤 RED                        |
|         |                             | 3     | 黄 YELLOW                     |
|         |                             | 4     | 青 BLUE                       |
|         |                             | 5     | 桃 PINK                       |
|         |                             | 6     | 緑 GREEN                      |
|         |                             | 7     | 茶 BROWN                      |
|         |                             | 8     | 橙 ORANGE                     |
| 02~05   | 2: WITH BOSS<br>3: W/O BOSS | 1     | 灰 GRAY                       |
|         |                             | 4     | 水 PALE BLUE                  |
|         |                             | 6     | 黄緑 YELLOWISH GREEN           |
| 02      |                             | 3     | 蛍光黄 FLUORESCENCE YELLOW      |

|       |         |      |      |                  |    |
|-------|---------|------|------|------------------|----|
| 12.15 | ±0.25   | 21   | 25.4 | ±0.25            | 15 |
| 11.4  |         | 19.5 | 23.9 |                  | 14 |
| 10.65 |         | 18   | 22.4 |                  | 13 |
| 9.9   | (±0.20) | 16.5 | 20.9 | (±0.20)          | 12 |
| 9.15  |         | 15   | 19.4 |                  | 11 |
| 8.4   |         | 13.5 | 17.9 |                  | 10 |
| 7.65  |         | 12   | 16.4 |                  | 9  |
| 6.9   |         | 10.5 | 14.9 |                  | 8  |
| 6.15  |         | 9    | 13.4 |                  | 7  |
| 5.4   |         | 7.5  | 11.9 |                  | 6  |
| 4.65  |         | 6    | 10.4 |                  | 5  |
| 3.9   |         | 4.5  | 8.9  |                  | 4  |
| 3.15  | 3       | 7.4  | 3    |                  |    |
| 2.4   | 1.5     | 5.9  | 2    |                  |    |
| C     |         | B    |      | A                |    |
|       |         |      |      | 極数<br>CIRCUIT NO |    |

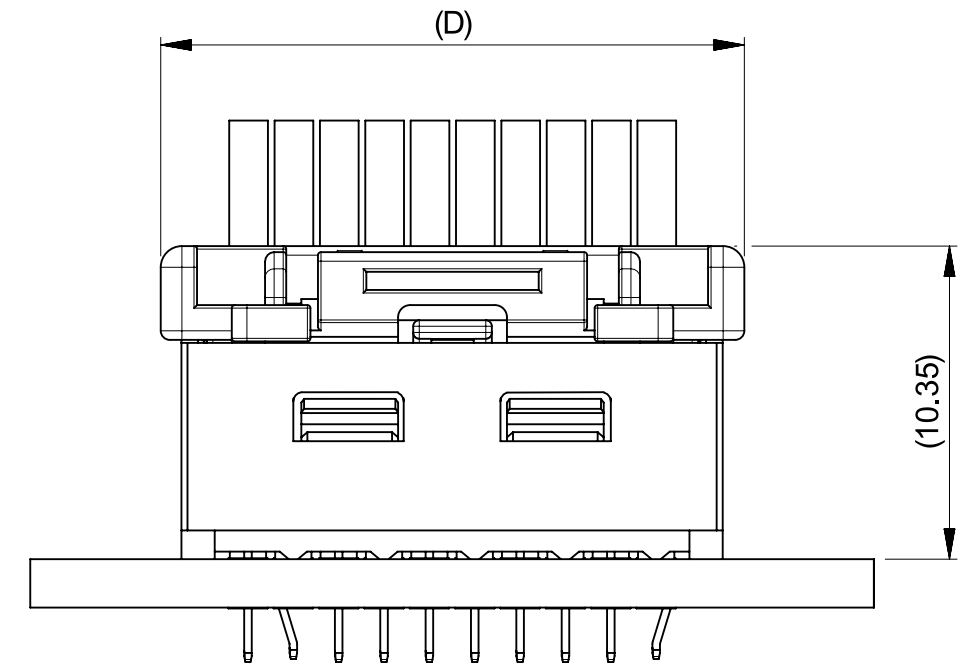
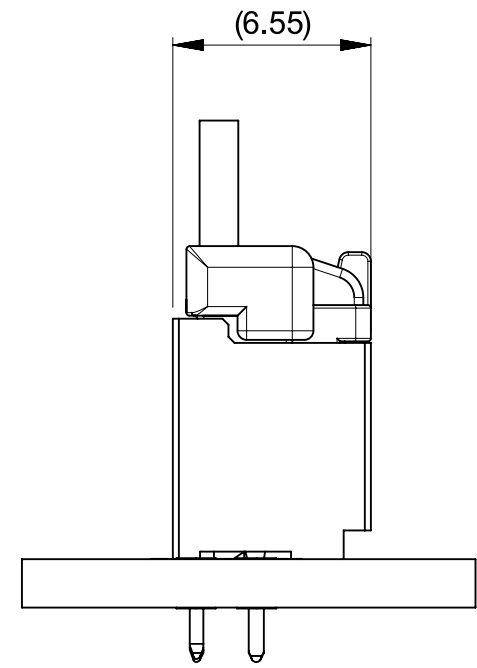
| 番号 NO. | 部品 PART        | 材質 MATERIAL  |
|--------|----------------|--|
| ①      | ハウジング HOUSING  | ポリアミド(PA) UL94V-0 色 : SEE CHART<br>POLYAMIDE(PA) UL94V-0 COLOR : SEE CHART                                     |
| ②      | ターミナル TERMINAL | 銅合金<br>COPPER ALLOY  |
|        |                | 錫めっき : 1.0 micro-meter MIN<br>MATTE TIN PLATING<br>ニッケルめっき(下地) : 1.0 micro-meter MIN<br>NICKEL (UNDER PLATING) |

THIS DRAWING CONTAINS INFORMATION THAT IS PROPRIETARY TO MOLEX ELECTRONIC TECHNOLOGIES, LLC AND SHOULD NOT BE USED WITHOUT WRITTEN PERMISSION

|  |         |   |  |
|--|---------|---|--|
| DIMENSION UNITS                                      | SCALE   | CURRENT REV DESC:                       |  |
| mm   | NTS     | molex                                   |  |
| GENERAL TOLERANCES (UNLESS SPECIFIED)                |         | CLIK-MATE 1.5<br>SINGLE ROW DIP VT TYPE |  |
| ANGULAR TOL  | ± 3.0 ° | PRODUCT CUSTOMER DRAWING                |  |
| 4 PLACES   | ± 0.2   | DOCUMENT NUMBER                         |  |
| 3 PLACES   | ± 0.2   | 5031590000-SD                           |  |
| 2 PLACES   | ± 0.2   | DOC TYPE                                |  |
| 1 PLACE  | ± 0.2   | PSD                                     |  |
| 0 PLACES   | ± 0.2   | DOC PART                                |  |
| DRAFT WHERE APPLICABLE MUST REMAIN WITHIN DIMENSIONS |         | REVISION                                |  |
| THIRD ANGLE PROJECTION                               |         | A                                       |  |
| DRAWING  | SERIES  | SHEET NUMBER                            |  |
| A3-SIZE  | 503159  | 1 OF 5                                  |  |
| MATERIAL NUMBER                                      |         | CUSTOMER                                |  |
| SEE TABLE  |         | GENERAL                                 |  |



基板取付穴推奨寸法 (マウント面)  
RECOMMENDED PCB HOLE DIMENSION  
(MOUNTING SIDE) (t=1.6)



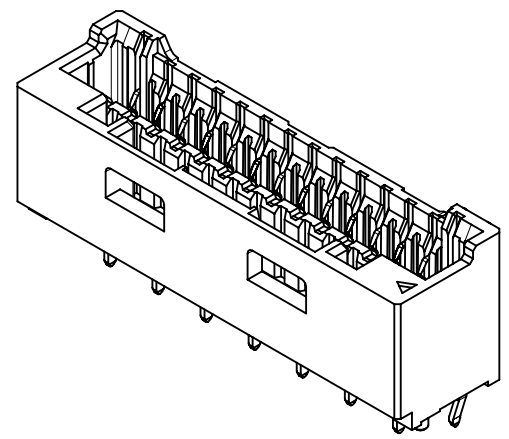
嵌合図  
MATED CONNECTORS

適用製品及び各種仕様書  
APPLICABLE PRODUCTS AND VARIOUS SPECIFICATIONS

|                                  | PART NUMBER | DOCUMENT NUMBER |
|----------------------------------|-------------|-----------------|
| 梱包仕様書<br>PACKAGING SPECIFICATION | 503159 **0* | SPK-503159-001  |
|                                  | 503159 **1* |                 |
|                                  | 503159 **2* |                 |
|                                  | 503159 **3* |                 |

| 適用嵌合相手<br>MATE WITH                      | HOUSING       | TERMINAL |        |
|--|---------------|----------|--------|
|  |               | #24-28   | #28-30 |
| シリーズ番号<br>SERIES NUMBER                  | 502578        | 502579   | 503429 |
| 製品仕様書<br>PRODUCT SPECIFICATION           | 5025780002-PS |          |        |
| アプリケーション仕様書<br>APPLICATION SPECIFICATION | AS-502578-001 |          |        |

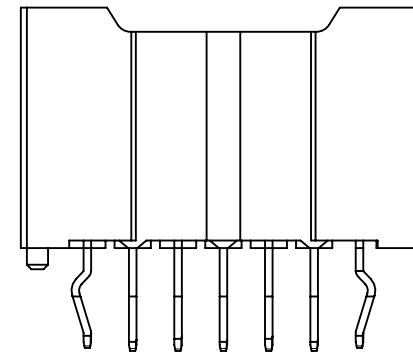
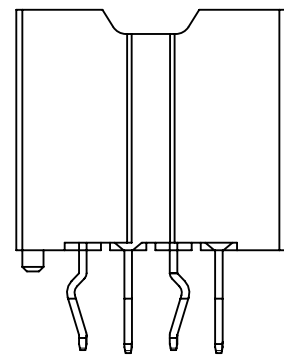
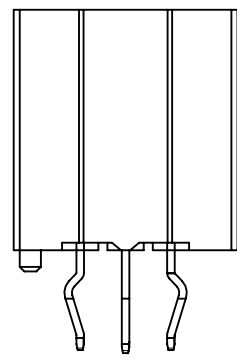
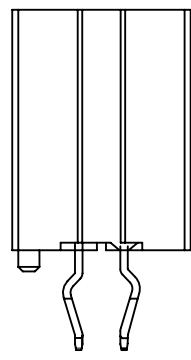
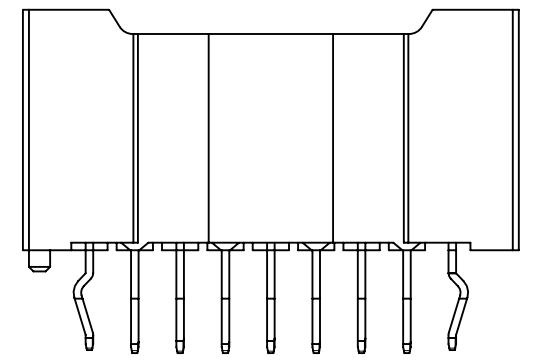
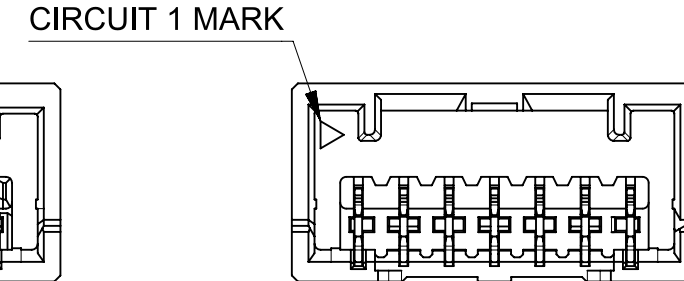
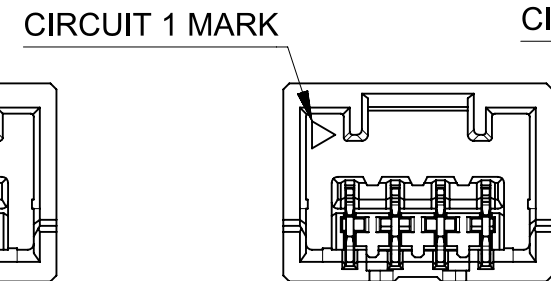
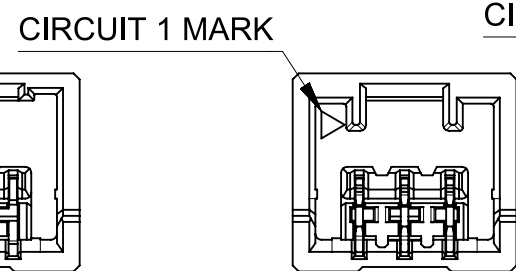
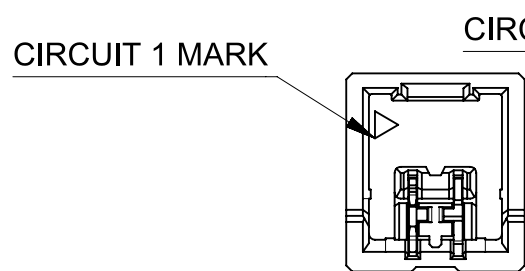
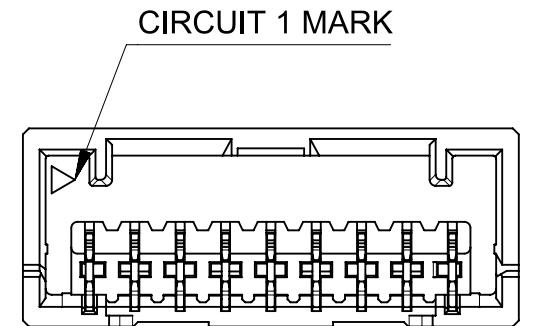
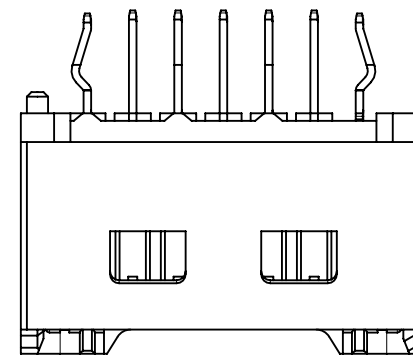
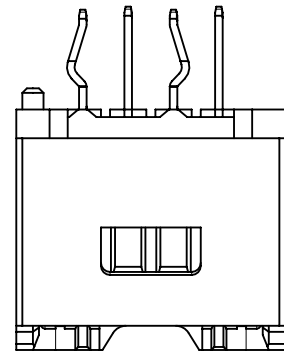
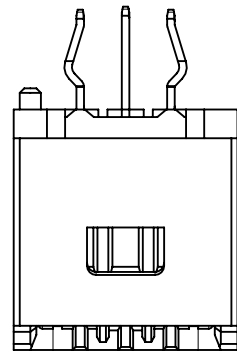
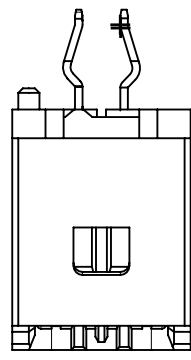
|      |         |
|------|---------|
| 26.8 | 15      |
| 25.3 | 14      |
| 23.8 | 13      |
| 22.3 | 12      |
| 20.8 | 11      |
| 19.3 | 10      |
| 17.8 | 9       |
| 16.3 | 8       |
| 14.8 | 7       |
| 13.3 | 6       |
| 11.8 | 5       |
| 10.3 | 4       |
| 8.8  | 3       |
| 7.3  | 2       |
| D    | CIRCUIT |



THIS DRAWING CONTAINS INFORMATION THAT IS PROPRIETARY TO MOLEX ELECTRONIC TECHNOLOGIES, LLC AND SHOULD NOT BE USED WITHOUT WRITTEN PERMISSION

|  |              |                        |            |                          |              |          |          |   |
|--|--------------|------------------------|------------|--------------------------|--------------|----------|----------|---|
| DIMENSION UNITS<br>mm                                | SCALE<br>NTS | CURRENT REV DESC:      |            | <b>molex</b>             |              |          |          |   |
| GENERAL TOLERANCES (UNLESS SPECIFIED)                |              | EC NO: 632623          |            |                          |              |          |          | CLIK-MATE 1.5<br>SINGLE ROW DIP VT TYPE |
| ANGULAR TOL  | ± 3.0 °      | DRWN: MIKEDA01         | 2019/06/18 | PRODUCT CUSTOMER DRAWING |              |          |          |   |
| 4 PLACES   | ± 0.2        | CHK'D: SAKIYAMA        | 2020/02/28 | DOCUMENT NUMBER          |              |          |          |   |
| 3 PLACES   | ± 0.2        | APPR: KOMURAKAMI       | 2020/03/03 | 5031590000-SD            |              | DOC TYPE | DOC PART | REVISION                                |
| 2 PLACES   | ± 0.2        | INITIAL REVISION:      |            | PSD 000 A                |              |          |          |   |
| 1 PLACE  | ± 0.2        | DRWN: MIKEDA01         | 2019/06/18 | MATERIAL NUMBER          |              |          |          |   |
| 0 PLACES   | ± 0.2        | APPR: KOMURAKAMI       | 2020/03/03 | CUSTOMER                 |              |          |          |   |
| DRAFT WHERE APPLICABLE MUST REMAIN WITHIN DIMENSIONS |              | THIRD ANGLE PROJECTION | DRAWING    | SERIES                   | SHEET NUMBER |          | 2 OF 5   |   |
|  |              |                        | A3-SIZE    | 503159                   | SEE TABLE    | GENERAL  |          |   |

極数別ハウジング形状  
HOUSING SHAPE AT EACH CKT



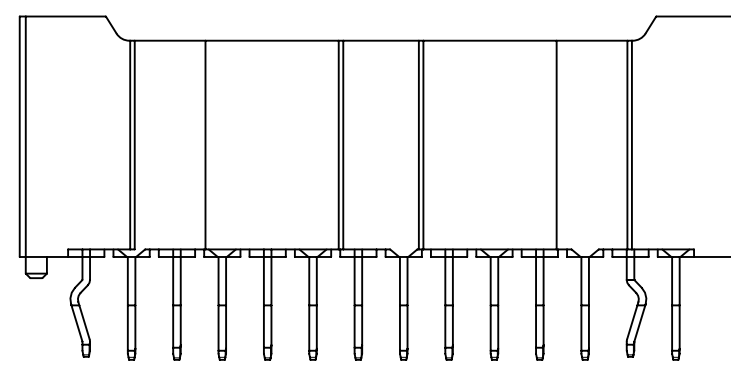
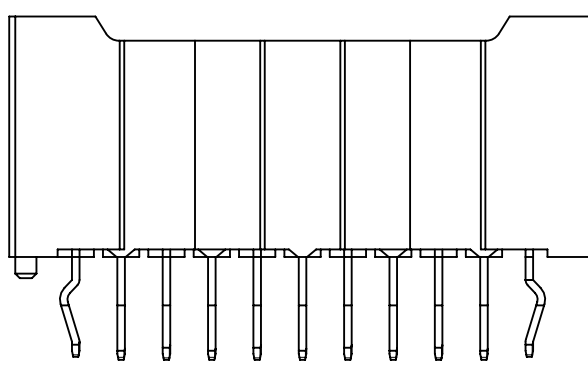
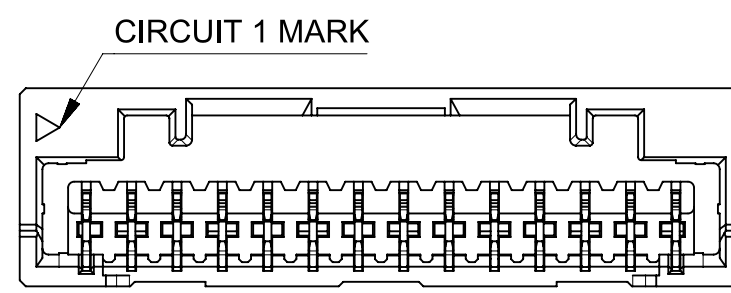
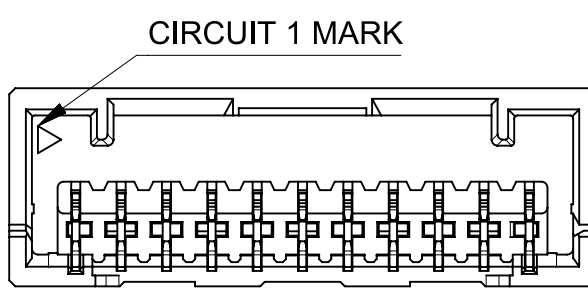
2極  
2 CIRCUITS

3極  
3 CIRCUITS

4~5極  
4-5 CIRCUITS

6~7極  
6-7 CIRCUITS

8~10極  
8-10 CIRCUITS



11極  
11 CIRCUITS

12~15極  
12-15 CIRCUITS

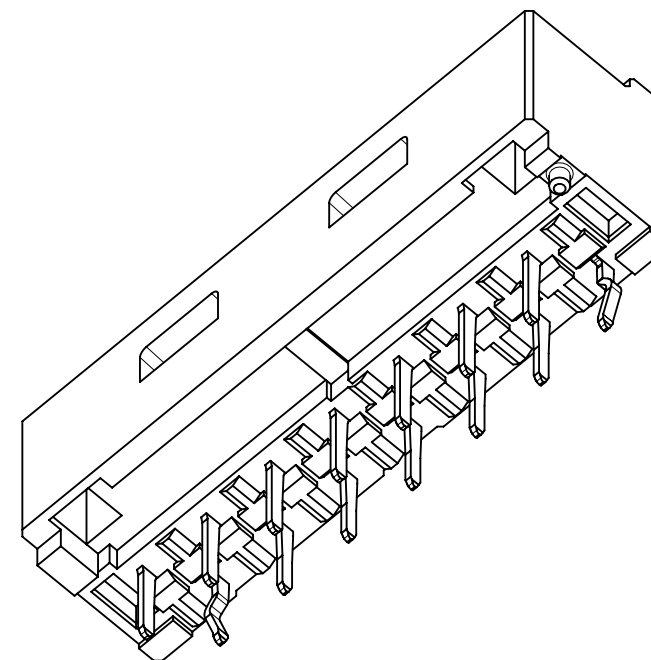
|   |  |         |  |   |  |            |  |                 |  |                  |  |            |  |
|---|--|---------|--|---|--|------------|--|-----------------|--|------------------|--|------------|--|
| THIS DRAWING CONTAINS INFORMATION THAT IS PROPRIETARY TO MOLEX ELECTRONIC TECHNOLOGIES, LLC AND SHOULD NOT BE USED WITHOUT WRITTEN PERMISSION |  |         |  |   |  |            |  |                 |  |                  |  |            |  |
| DIMENSION UNITS   |  | SCALE   |  | CURRENT REV DESC:   |  |            |  |                 |  |                  |  |            |  |
| mm  |  | NTS     |  | <b>molex</b><br>CLIK-MATE 1.5<br>SINGLE ROW DIP VT TYPE<br>PRODUCT CUSTOMER DRAWING |  |            |  |                 |  |                  |  |            |  |
| GENERAL TOLERANCES (UNLESS SPECIFIED)   |  |         |  |   |  |            |  |                 |  | EC NO: 632623    |  | 2019/06/18 |  |
| ANGULAR TOL   |  | ± 3.0 ° |  |   |  |            |  |                 |  | DRWN: MIKEDA01   |  | 2020/02/28 |  |
| 4 PLACES  |  | ± 0.2   |  |   |  |            |  |                 |  | CHK'D: SAKIYAMA  |  | 2020/03/03 |  |
| 3 PLACES  |  | ± 0.2   |  |   |  |            |  |                 |  | APPR: KOMURAKAMI |  | 2020/03/03 |  |
| 2 PLACES  |  | ± 0.2   |  | INITIAL REVISION:   |  |            |  | DOCUMENT NUMBER |  |                  |  |            |  |
| 1 PLACE   |  | ± 0.2   |  | DRWN: MIKEDA01  |  | 2019/06/18 |  | 503159000-SD    |  |                  |  |            |  |
| 0 PLACES  |  | ± 0.2   |  | APPR: KOMURAKAMI  |  | 2020/03/03 |  | PSD 000 A       |  |                  |  |            |  |
| DRAFT WHERE APPLICABLE MUST REMAIN WITHIN DIMENSIONS  |  |         |  | THIRD ANGLE PROJECTION  |  | DRAWING    |  | SHEET NUMBER    |  |                  |  |            |  |
|   |  |         |  |   |  | A3-SIZE    |  | 3 OF 5          |  |                  |  |            |  |

# 製品一覧

## PRODUCTS LIST

| ボス有 WITH BOSS      |             |             |             |             |             |             |             |             |                               | BOSS             |
|--------------------|-------------|-------------|-------------|-------------|-------------|-------------|-------------|-------------|-------------------------------|------------------|
| 紫<br>VIOLET        | 橙<br>ORANGE | 茶<br>BROWN  | 緑<br>GREEN  | 桃<br>PINK   | 青<br>BLUE   | 黄<br>YELLOW | 赤<br>RED    | 黒<br>BLACK  | ナチュラル(ベージュ)<br>NATURAL(BEIGE) | HOUSING<br>COLOR |
| 503159 1509        | 503159 1508 | 503159 1507 | 503159 1506 | 503159 1505 | 503159 1504 | 503159 1503 | 503159 1502 | 503159 1501 | 503159 1500                   | 15               |
| 503159 1409        | 503159 1408 | 503159 1407 | 503159 1406 | 503159 1405 | 503159 1404 | 503159 1403 | 503159 1402 | 503159 1401 | 503159 1400                   | 14               |
| 503159 1309        | 503159 1308 | 503159 1307 | 503159 1306 | 503159 1305 | 503159 1304 | 503159 1303 | 503159 1302 | 503159 1301 | 503159 1300                   | 13               |
| 503159 1209        | 503159 1208 | 503159 1207 | 503159 1206 | 503159 1205 | 503159 1204 | 503159 1203 | 503159 1202 | 503159 1201 | 503159 1200                   | 12               |
| 503159 1109        | 503159 1108 | 503159 1107 | 503159 1106 | 503159 1105 | 503159 1104 | 503159 1103 | 503159 1102 | 503159 1101 | 503159 1100                   | 11               |
| 503159 1009        | 503159 1008 | 503159 1007 | 503159 1006 | 503159 1005 | 503159 1004 | 503159 1003 | 503159 1002 | 503159 1001 | 503159 1000                   | 10               |
| 503159 0909        | 503159 0908 | 503159 0907 | 503159 0906 | 503159 0905 | 503159 0904 | 503159 0903 | 503159 0902 | 503159 0901 | 503159 0900                   | 9                |
| 503159 0809        | 503159 0808 | 503159 0807 | 503159 0806 | 503159 0805 | 503159 0804 | 503159 0803 | 503159 0802 | 503159 0801 | 503159 0800                   | 8                |
| 503159 0709        | 503159 0708 | 503159 0707 | 503159 0706 | 503159 0705 | 503159 0704 | 503159 0703 | 503159 0702 | 503159 0701 | 503159 0700                   | 7                |
| 503159 0609        | 503159 0608 | 503159 0607 | 503159 0606 | 503159 0605 | 503159 0604 | 503159 0603 | 503159 0602 | 503159 0601 | 503159 0600                   | 6                |
| 503159 0509        | 503159 0508 | 503159 0507 | 503159 0506 | 503159 0505 | 503159 0504 | 503159 0503 | 503159 0502 | 503159 0501 | 503159 0500                   | 5                |
| 503159 0409        | 503159 0408 | 503159 0407 | 503159 0406 | 503159 0405 | 503159 0404 | 503159 0403 | 503159 0402 | 503159 0401 | 503159 0400                   | 4                |
| 503159 0309        | 503159 0308 | 503159 0307 | 503159 0306 | 503159 0305 | 503159 0304 | 503159 0303 | 503159 0302 | 503159 0301 | 503159 0300                   | 3                |
| 503159 0209        | 503159 0208 | 503159 0207 | 503159 0206 | 503159 0205 | 503159 0204 | 503159 0203 | 503159 0202 | 503159 0201 | 503159 0200                   | 2                |
| オーダー番号<br>ORDER NO |             |             |             |             |             |             |             |             |                               | 極数<br>CIRCUIT NO |

| ボス有 WITH BOSS         |                |                            |             | BOSS             |
|-----------------------|----------------|----------------------------|-------------|------------------|
| 黄緑<br>YELLOWISH GREEN | 水<br>PALE BLUE | 蛍光黄<br>FLUORESCENCE YELLOW | 灰<br>GRAY   | HOUSING<br>COLOR |
| -                     | -              | -                          | -           | 15               |
| -                     | -              | -                          | -           | 14               |
| -                     | -              | -                          | -           | 13               |
| -                     | -              | -                          | -           | 12               |
| -                     | -              | -                          | -           | 11               |
| -                     | -              | -                          | -           | 10               |
| -                     | -              | -                          | -           | 9                |
| -                     | -              | -                          | -           | 8                |
| -                     | -              | -                          | -           | 7                |
| -                     | -              | -                          | -           | 6                |
| 503159 0526           | 503159 0524    | -                          | 503159 0521 | 5                |
| 503159 0426           | 503159 0424    | -                          | 503159 0421 | 4                |
| 503159 0326           | 503159 0324    | -                          | 503159 0321 | 3                |
| 503159 0226           | 503159 0224    | 503159 0223                | 503159 0221 | 2                |
| オーダー番号<br>ORDER NO    |                |                            |             | 極数<br>CIRCUIT NO |

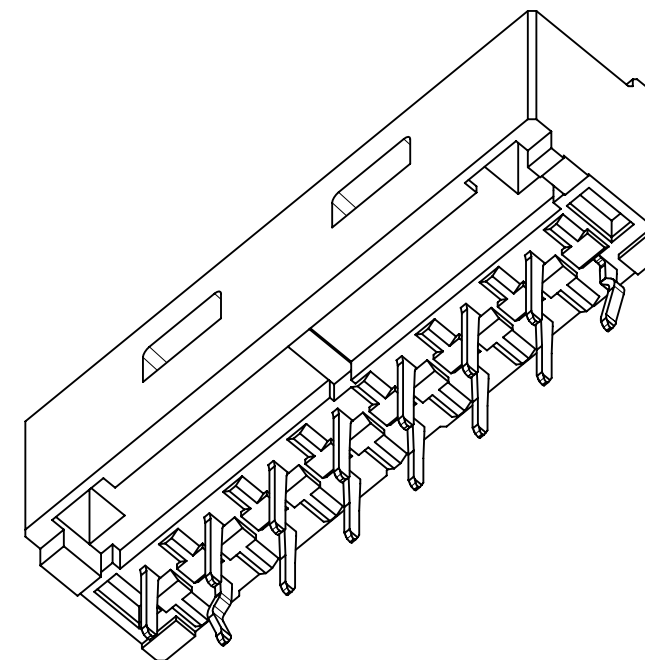


|   |  |                        |  |                             |  |         |  |   |  |
|---|--|------------------------|--|-----------------------------|--|---------|--|---|--|
| THIS DRAWING CONTAINS INFORMATION THAT IS PROPRIETARY TO MOLEX ELECTRONIC TECHNOLOGIES, LLC AND SHOULD NOT BE USED WITHOUT WRITTEN PERMISSION |  |                        |  |                             |  |         |  |   |  |
| DIMENSION UNITS   |  | SCALE                  |  | CURRENT REV DESC:           |  |         |  |   |  |
| mm  |  | NTS                    |  |                             |  |         |  |   |  |
| GENERAL TOLERANCES (UNLESS SPECIFIED)   |  |                        |  | EC NO: 632623               |  |         |  | CLIK-MATE 1.5<br>SINGLE ROW DIP VT TYPE |  |
| ANGULAR TOL ± 3.0°  |  |                        |  | DRWN: MIKEDA01 2019/06/18   |  |         |  |   |  |
| 4 PLACES ± 0.2  |  |                        |  | CHK'D: SAKIYAMA 2020/02/28  |  |         |  |   |  |
| 3 PLACES ± 0.2  |  |                        |  | APPR: KOMURAKAMI 2020/03/03 |  |         |  | PRODUCT CUSTOMER DRAWING                |  |
| 2 PLACES ± 0.2  |  |                        |  | INITIAL REVISION:           |  |         |  |   |  |
| 1 PLACE ± 0.2   |  |                        |  | DRWN: MIKEDA01 2019/06/18   |  |         |  | DOCUMENT NUMBER<br><b>5031590000-SD</b> |  |
| 0 PLACES ± 0.2  |  |                        |  | APPR: KOMURAKAMI 2020/03/03 |  |         |  |   |  |
| DRAFT WHERE APPLICABLE MUST REMAIN WITHIN DIMENSIONS  |  | THIRD ANGLE PROJECTION |  | DRAWING                     |  | SERIES  |  | SHEET NUMBER                            |  |
|   |  |                        |  | A3-SIZE                     |  | 503159  |  | 4 OF 5                                  |  |
| MATERIAL NUMBER   |  | CUSTOMER               |  | SEE TABLE                   |  | GENERAL |  |   |  |

製品一覧  
PRODUCTS LIST

| ボス無 WITHOUT BOSS   |             |             |             |             |             |             |             |             |                               | BOSS             |
|--------------------|-------------|-------------|-------------|-------------|-------------|-------------|-------------|-------------|-------------------------------|------------------|
| 紫<br>VIOLET        | 橙<br>ORANGE | 茶<br>BROWN  | 緑<br>GREEN  | 桃<br>PINK   | 青<br>BLUE   | 黄<br>YELLOW | 赤<br>RED    | 黒<br>BLACK  | ナチュラル(ベージュ)<br>NATURAL(BEIGE) | HOUSING<br>COLOR |
| 503159 1519        | 503159 1518 | 503159 1517 | 503159 1516 | 503159 1515 | 503159 1514 | 503159 1513 | 503159 1512 | 503159 1511 | 503159 1510                   | 15               |
| 503159 1419        | 503159 1418 | 503159 1417 | 503159 1416 | 503159 1415 | 503159 1414 | 503159 1413 | 503159 1412 | 503159 1411 | 503159 1410                   | 14               |
| 503159 1319        | 503159 1318 | 503159 1317 | 503159 1316 | 503159 1315 | 503159 1314 | 503159 1313 | 503159 1312 | 503159 1311 | 503159 1310                   | 13               |
| 503159 1219        | 503159 1218 | 503159 1217 | 503159 1216 | 503159 1215 | 503159 1214 | 503159 1213 | 503159 1212 | 503159 1211 | 503159 1210                   | 12               |
| 503159 1119        | 503159 1118 | 503159 1117 | 503159 1116 | 503159 1115 | 503159 1114 | 503159 1113 | 503159 1112 | 503159 1111 | 503159 1110                   | 11               |
| 503159 1019        | 503159 1018 | 503159 1017 | 503159 1016 | 503159 1015 | 503159 1014 | 503159 1013 | 503159 1012 | 503159 1011 | 503159 1010                   | 10               |
| 503159 0919        | 503159 0918 | 503159 0917 | 503159 0916 | 503159 0915 | 503159 0914 | 503159 0913 | 503159 0912 | 503159 0911 | 503159 0910                   | 9                |
| 503159 0819        | 503159 0818 | 503159 0817 | 503159 0816 | 503159 0815 | 503159 0814 | 503159 0813 | 503159 0812 | 503159 0811 | 503159 0810                   | 8                |
| 503159 0719        | 503159 0718 | 503159 0717 | 503159 0716 | 503159 0715 | 503159 0714 | 503159 0713 | 503159 0712 | 503159 0711 | 503159 0710                   | 7                |
| 503159 0619        | 503159 0618 | 503159 0617 | 503159 0616 | 503159 0615 | 503159 0614 | 503159 0613 | 503159 0612 | 503159 0611 | 503159 0610                   | 6                |
| 503159 0519        | 503159 0518 | 503159 0517 | 503159 0516 | 503159 0515 | 503159 0514 | 503159 0513 | 503159 0512 | 503159 0511 | 503159 0510                   | 5                |
| 503159 0419        | 503159 0418 | 503159 0417 | 503159 0416 | 503159 0415 | 503159 0414 | 503159 0413 | 503159 0412 | 503159 0411 | 503159 0410                   | 4                |
| 503159 0319        | 503159 0318 | 503159 0317 | 503159 0316 | 503159 0315 | 503159 0314 | 503159 0313 | 503159 0312 | 503159 0311 | 503159 0310                   | 3                |
| 503159 0219        | 503159 0218 | 503159 0217 | 503159 0216 | 503159 0215 | 503159 0214 | 503159 0213 | 503159 0212 | 503159 0211 | 503159 0210                   | 2                |
| オーダー番号<br>ORDER NO |             |             |             |             |             |             |             |             |                               | 極数<br>CIRCUIT NO |

| ボス無 WITHOUT BOSS      |                |                            |             | BOSS             |
|-----------------------|----------------|----------------------------|-------------|------------------|
| 黄緑<br>YELLOWISH GREEN | 水<br>PALE BLUE | 蛍光黄<br>FLUORESCENCE YELLOW | 灰<br>GRAY   | HOUSING<br>COLOR |
| -                     | -              | -                          | -           | 15               |
| -                     | -              | -                          | -           | 14               |
| -                     | -              | -                          | -           | 13               |
| -                     | -              | -                          | -           | 12               |
| -                     | -              | -                          | -           | 11               |
| -                     | -              | -                          | -           | 10               |
| -                     | -              | -                          | -           | 9                |
| -                     | -              | -                          | -           | 8                |
| -                     | -              | -                          | -           | 7                |
| -                     | -              | -                          | -           | 6                |
| 503159 0536           | 503159 0534    | -                          | 503159 0531 | 5                |
| 503159 0436           | 503159 0434    | -                          | 503159 0431 | 4                |
| 503159 0336           | 503159 0334    | -                          | 503159 0331 | 3                |
| 503159 0236           | 503159 0234    | 503159 0233                | 503159 0231 | 2                |
| オーダー番号<br>ORDER NO    |                |                            |             | 極数<br>CIRCUIT NO |



|   |  |                |  |                        |  |            |  |   |  |
|---|--|----------------|--|------------------------|--|------------|--|---|--|
| THIS DRAWING CONTAINS INFORMATION THAT IS PROPRIETARY TO MOLEX ELECTRONIC TECHNOLOGIES, LLC AND SHOULD NOT BE USED WITHOUT WRITTEN PERMISSION |  |                |  |                        |  |            |  |   |  |
| DIMENSION UNITS<br>mm   |  | SCALE<br>NTS   |  | CURRENT REV DESC:      |  |            |  | <b>molex</b>                            |  |
| GENERAL TOLERANCES (UNLESS SPECIFIED)   |  |                |  | EC NO: 632623          |  |            |  |   |  |
| ANGULAR TOL ± 3.0°  |  | 4 PLACES ± 0.2 |  | DRWN: MIKEDA01         |  | 2019/06/18 |  | CLIK-MATE 1.5<br>SINGLE ROW DIP VT TYPE |  |
| 3 PLACES ± 0.2  |  | 2 PLACES ± 0.2 |  | CHK'D: SAKIYAMA        |  | 2020/02/28 |  | PRODUCT CUSTOMER DRAWING                |  |
| 1 PLACE ± 0.2   |  | 0 PLACES ± 0.2 |  | APPR: KOMURAKAMI       |  | 2020/03/03 |  | DOCUMENT NUMBER                         |  |
| DRAFT WHERE APPLICABLE MUST REMAIN WITHIN DIMENSIONS  |  |                |  | THIRD ANGLE PROJECTION |  | DRAWING    |  | SERIES                                  |  |
| A3-SIZE   |  | 503159         |  | MATERIAL NUMBER        |  | CUSTOMER   |  | SHEET NUMBER                            |  |
| SEE TABLE   |  | GENERAL        |  | 5031590000-SD          |  | PSD 000    |  | A                                       |  |
| 5 OF 5  |  |                |  |                        |  |            |  |   |  |