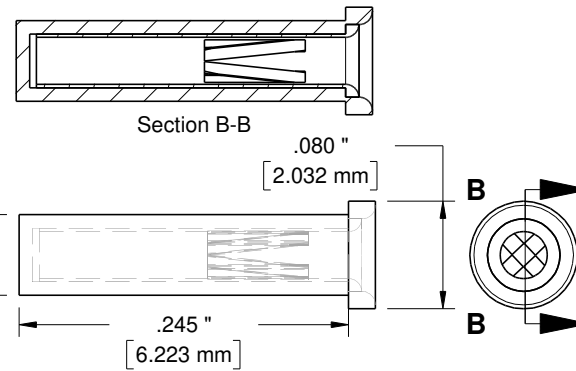
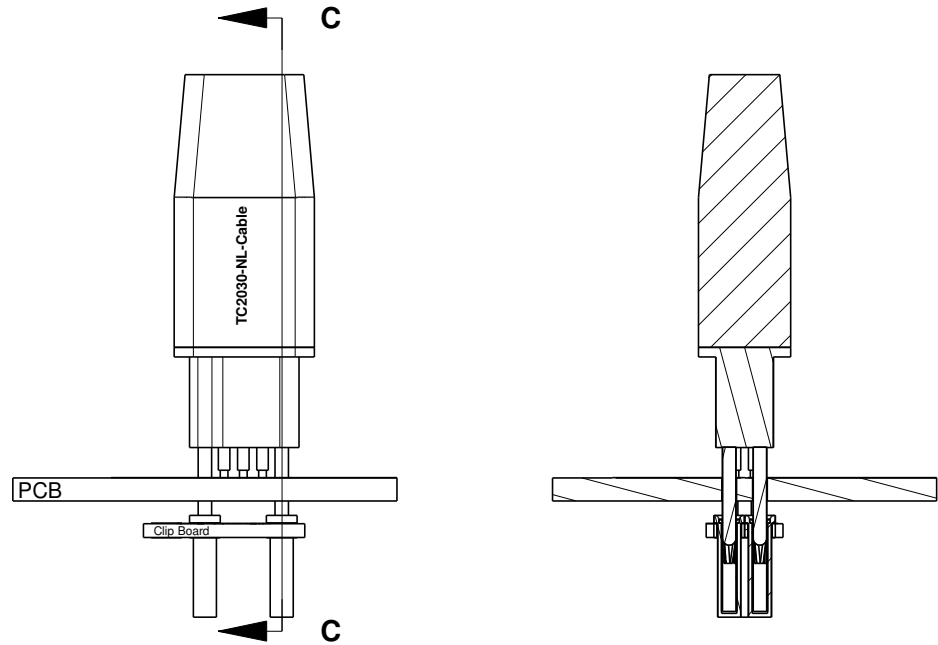


TC20X0-NL CLIP BOARD				
ZONE	A	TC2030-NL CLIP BOARD	9/16/11	MS



SIZE A	FSCM NO.	DWG NO. TC2030-NL CLIP BOARD	REV B
SCALE	www.TAG-CONNECT.com	SHEET 1 OF 1	