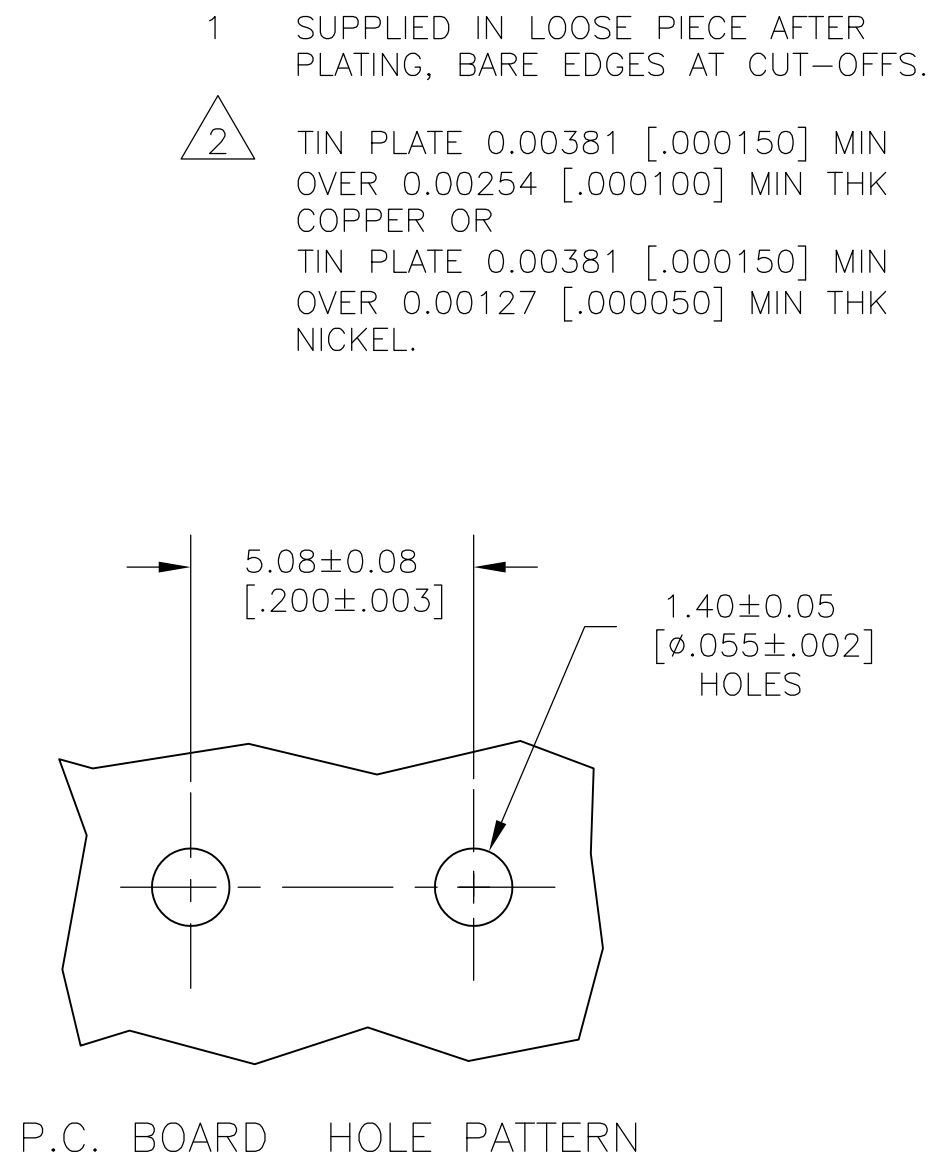
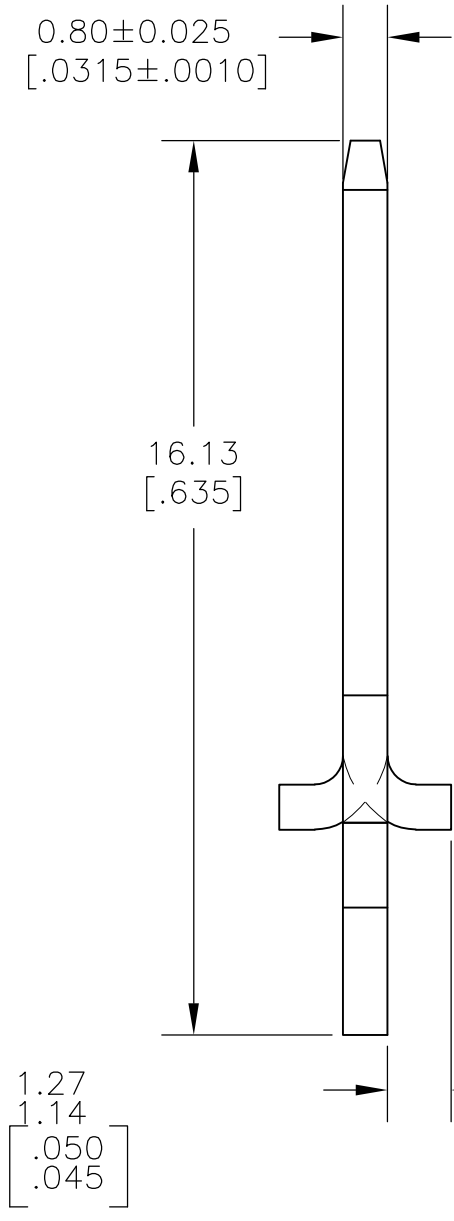
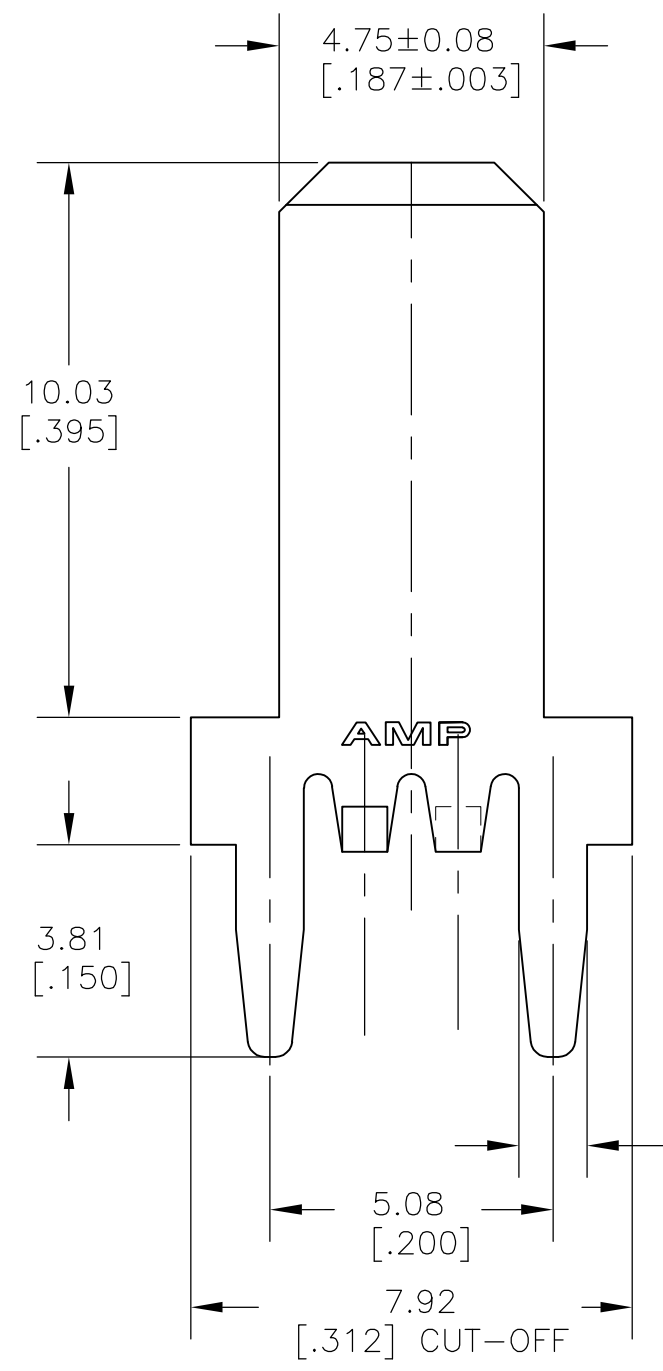


LOC	DIST	REVISIONS					
AF	50	P	LTR	DESCRIPTION	DATE	DWN	APVD
		E		REVISED PER ECR-13-001204	28JUN13	KH	PD



1217332-1  
 PART NO.

THIS DRAWING IS A CONTROLLED DOCUMENT.		DWN	JR RUTH	03APR01	TE Connectivity NAME TAB, FASTON, P.C.BOARD 4.75 [.187]		
DIMENSIONS: mm [INCHES]		CHK	MS FEHER	03APR01			
TOLERANCES UNLESS OTHERWISE SPECIFIED:		APVD	N DEIBERT	03APR01			
0 PLC ± - 1 PLC ± - 2 PLC ± 0.25 [.010] 3 PLC ± - 4 PLC ± - ANGLES ± -		PRODUCT SPEC	-	-			
MATERIAL	BRASS	FINISH	-	2	APPLICATION SPEC	-	
		WEIGHT	-	-	SIZE	A3	
		CUSTOMER DRAWING		SCALE	8:1	CAGE CODE	00779
				DRAWING NO	C-1217332		RESTRICTED TO
				SHEET	1 OF 1		REV
						E	