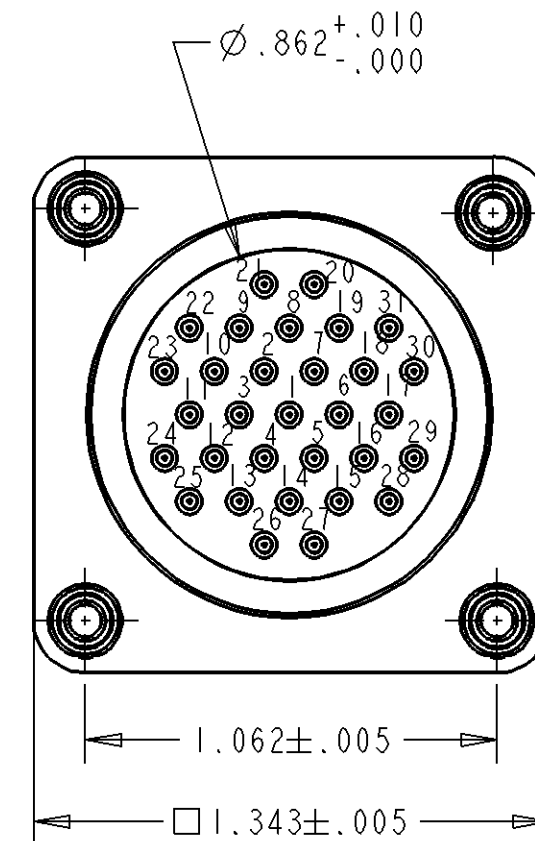
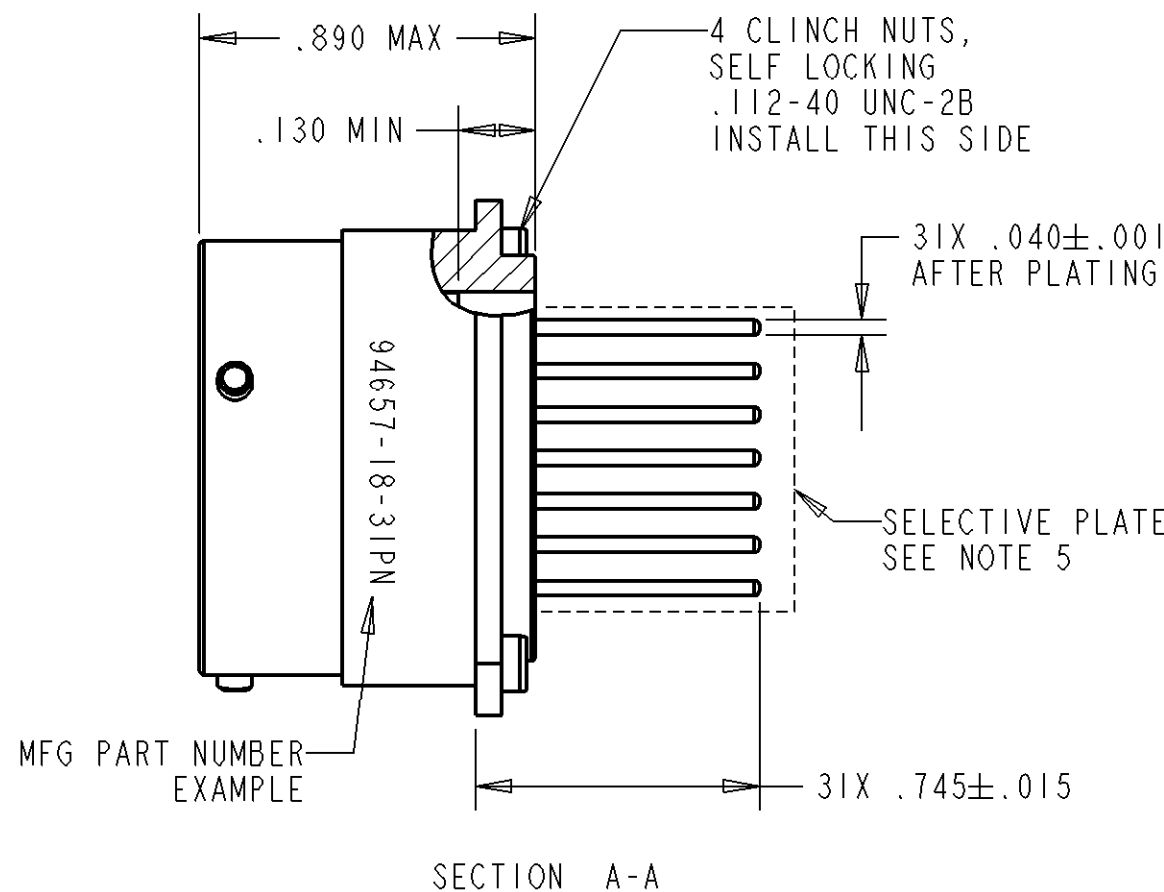
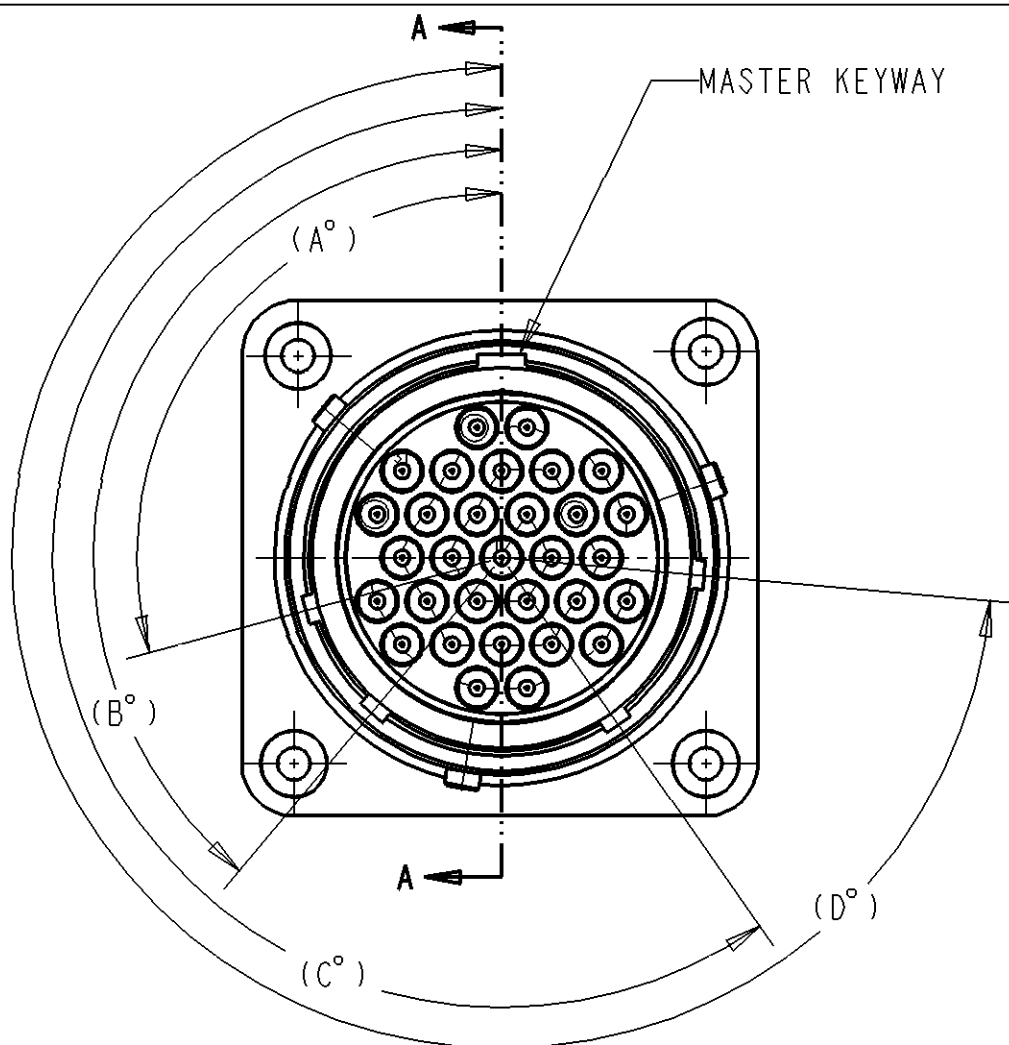


REV	DESCRIPTIONS	DATE	APPROVED
N/C	NEW RELEASE PER E.O.H4542	4-22-09	S.L.




- DIMENSIONS ARE IN INCHES.
- INSERT ARRANGEMENT PER MIL-STD-1554.
- LEAK RATE: $1E-8$ cc/sec He @ 1 atm.
- MATERIAL:
SHELL - C1215 MILD STEEL
INSULATOR - FUSED GLASS
CONTACT - ALLOY 52 HIGH NICKEL-IRON ALLOY
INTERFACIAL SEAL - FLUROSILICONE ELASTOMER
CLINCH NUTS - 303 STAINLESS STEEL
- FINISH:
SHELL - BRIGHT TIN OVER NICKEL
CONTACTS FRONT- GOLD OVER NICKEL
REAR - SELECTIVE TIN PLATE

PART No.	**	POS.	A°	B°	C°	D°
94657-18-31PN		N	105	140	215	265
94657-18-31P6		6	18	149	192	259
94657-18-31P7		7	92	152	222	342
94657-18-31P8		8	84	152	204	334
94657-18-31P9		9	24	135	199	240
94657-18-31PY		Y	98	152	268	338

FILE: 94657-18-31PX-ENV

	SIGNATURE & DATE
DR	M.ALLEN 4-22-09
CHK	S.LUI 4-22-09
PE	M.ALLEN 4-23-09
APPD	R.MARTIN
SCALE:	NONE

CONNECTOR, RECEPTACLE
HERMETIC
BOX MOUNT
BAYONET COUPLING
MIL-DTL-83723/79 TYPE
18-31 ARRANGEMENT
ENVELOPE

NBO	MATL CODE 74
DEUTSCH ENGINEERED INTERCONNECT SOLUTIONS  250 Eddie Jones Way Oceanside, CA 92058	
B	94657-18-31PX
DWG SIZE	CAGE CODE 11139
	SHEET 1 OF 1

NOTE(S):