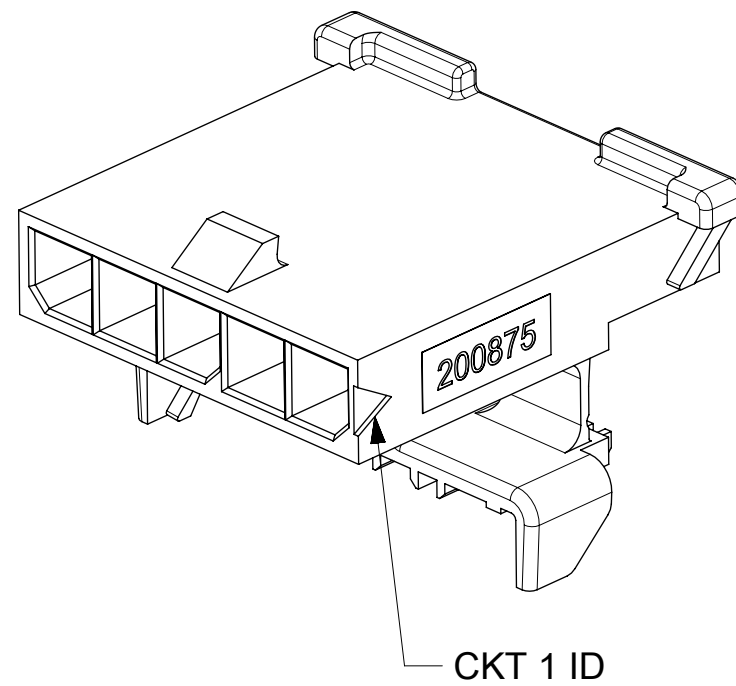
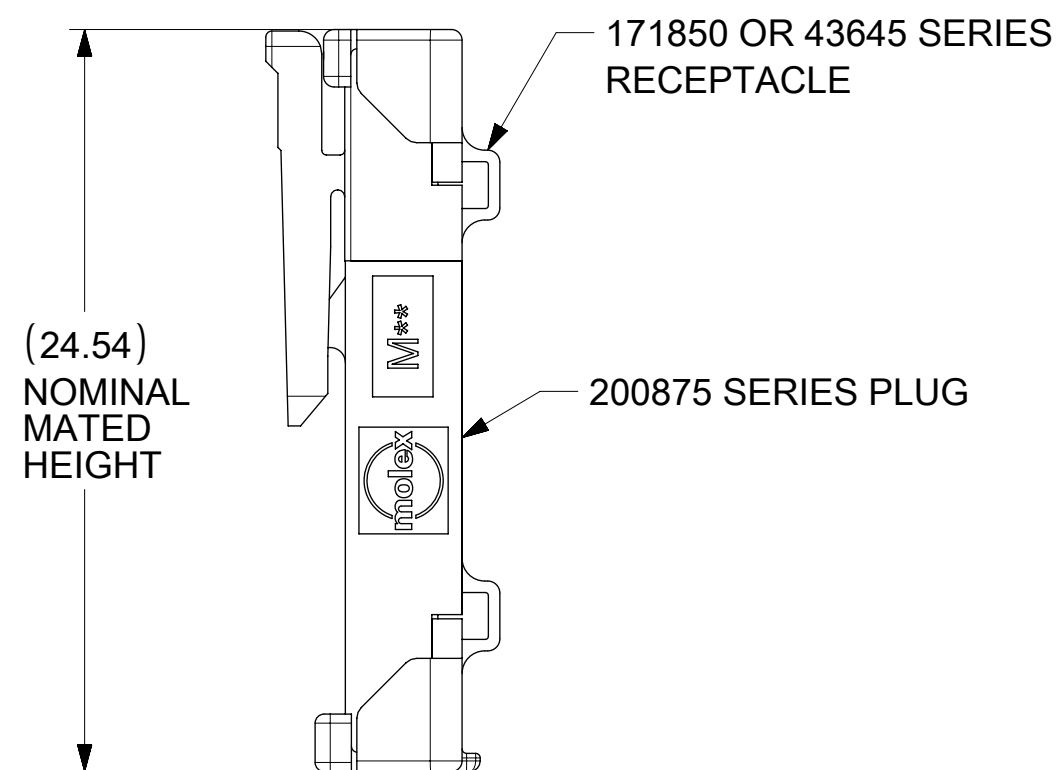
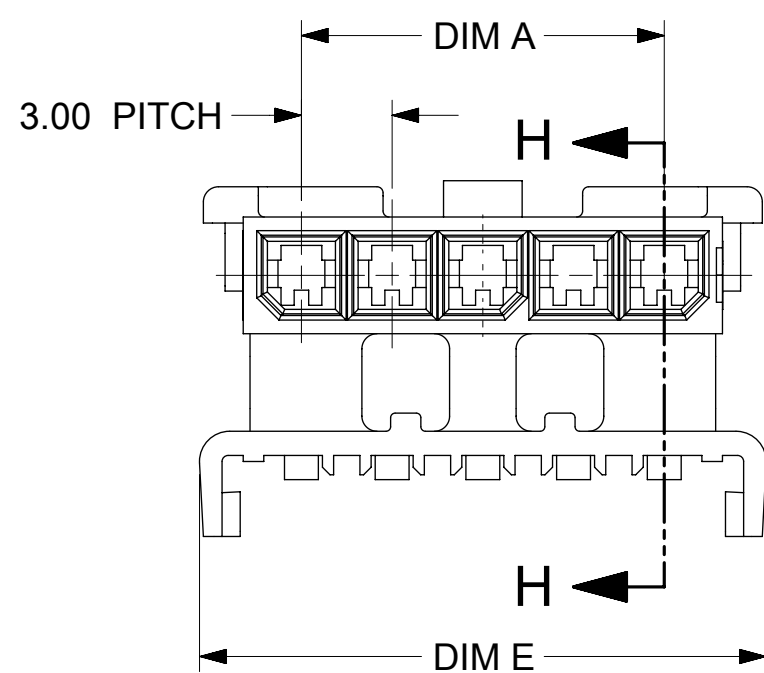
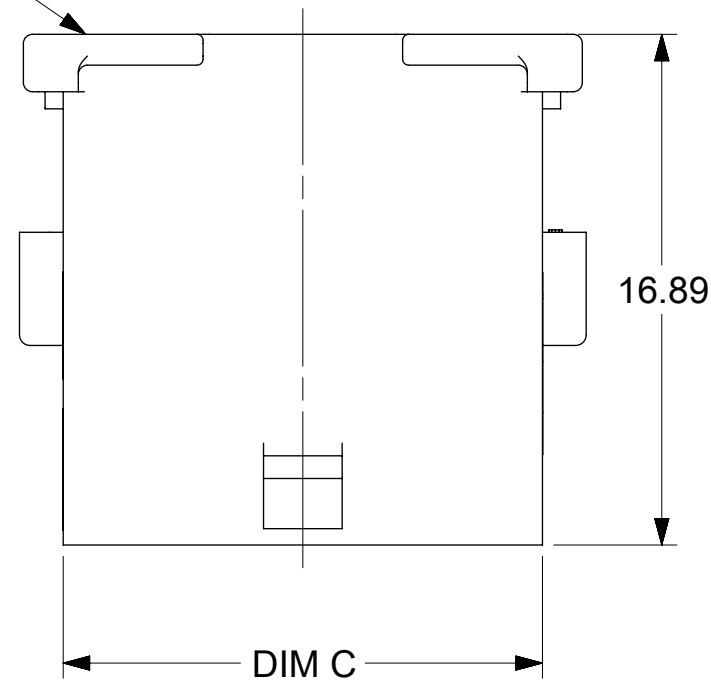
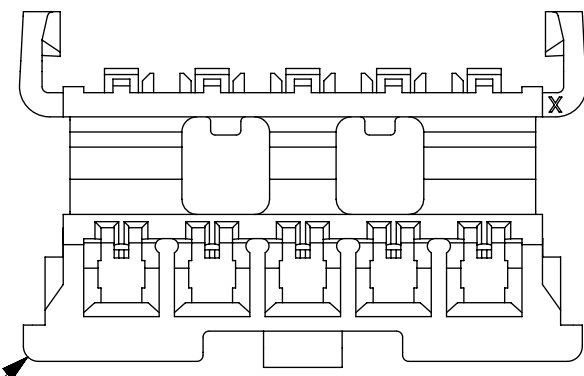


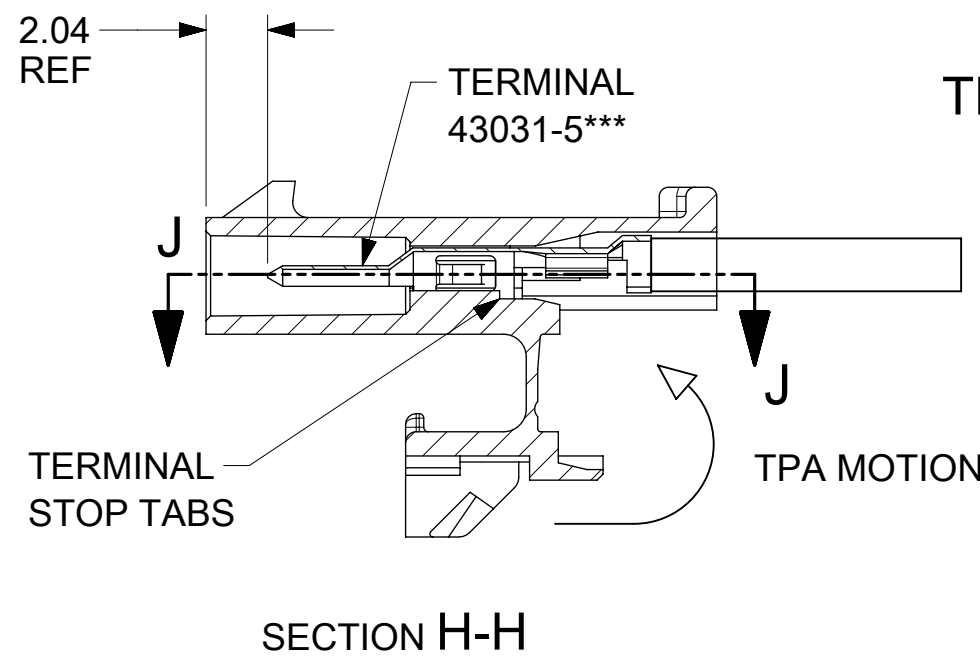
2008750005
SHOWN
AS MOLDED



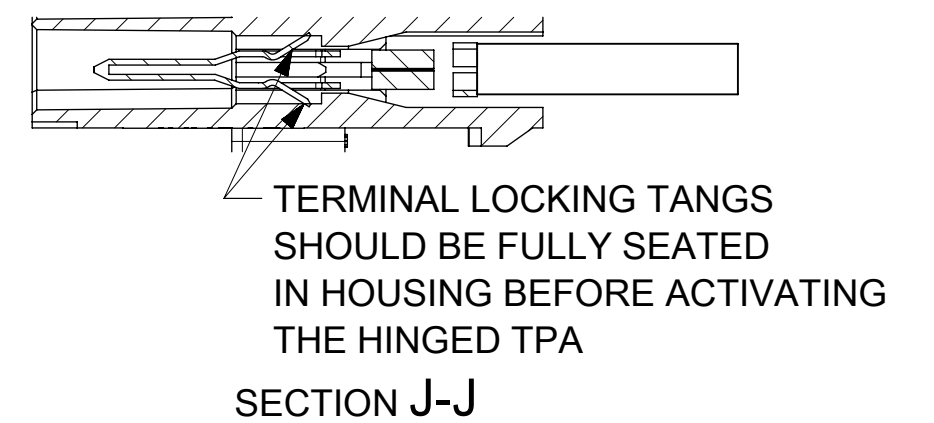
FREE HANGING OPTION

NOTES:

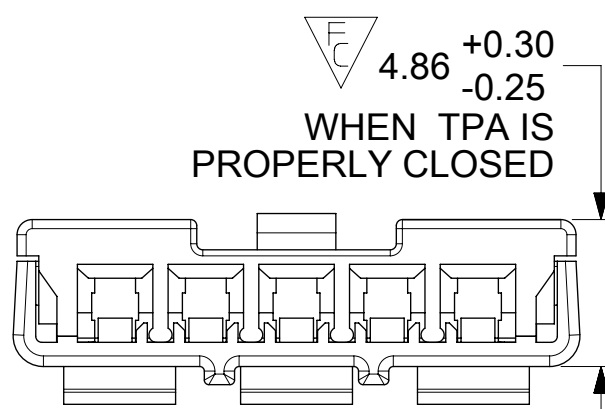
1. MATERIAL
"A": NYLON, V-0 LOW HALOGEN, COLOR: BLACK
"B": NYLON, V-0, IEC 60335-1 GLOW WIRE CAPABLE, COLOR: BLACK
2. FINISH: NONE
3. PRODUCT SPECIFICATION: PS-43650
4. PACKAGING SPECIFICATION: 2008750000-PK
5. THIS HOUSING TO BE USED WITH MOLEX MALE TERMINAL NUMBERS 430315***.
6. THIS PART MATES WITH MOLEX SERIES 171850 AND 43645.
7. THIS PART CONFORMS TO CLASS 'B' REQUIREMENTS OF COSMETIC SPECIFICATION PS-45499-002.
8. REFER TO AS-45499-001 FOR MOISTURIZING NYLON CONNECTOR PARTS.
9. PRODUCT MUST BE USED WITH TPA INSTALLED.
10. TPA IS INTENDED FOR ONE TIME USE.
11. INTENDED FOR USE WITH 20-30 AWG WIRES ONLY.
12. SOME HOUSINGS MAY HAVE A SMALL GATE BLEMISH NEAR THE GATE THAT DOES NOT AFFECT FUNCTIONALITY.
13. CIRCUIT SIZES 6 TO 12 HAVE ADDITIONAL TPA LATCHING GEOMETRY NEAR THE CENTER OF THE PART THAT MUST BE FULLY ENGAGED FOR TPA TO BE PROPERLY CLOSED.
14. PLUG DESIGNED FOR 1.57 TO 2.30 THICK STAMPED PANEL OR PRINTED CIRCUIT BOARD.
15. PANEL MOUNT FEATURES MUST LOCK ON SIDE OPPOSITE PUNCH SIDE FOR OPTIMUM RETENTION.
16. TEXT ON PART IS FOR REFERENCE ONLY. TEXT AND TEXT LOCATION MAY VARY DEPENDING ON PART NUMBER AND/OR TOOL.



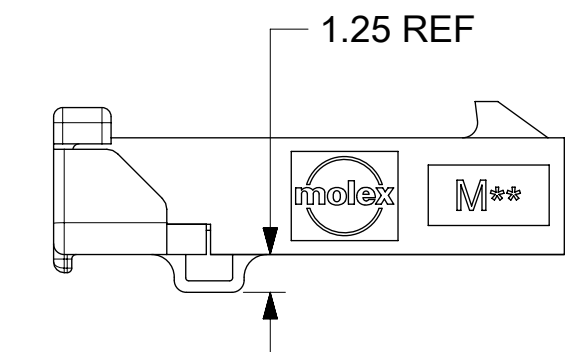
TPA OPEN



SECTION H-H



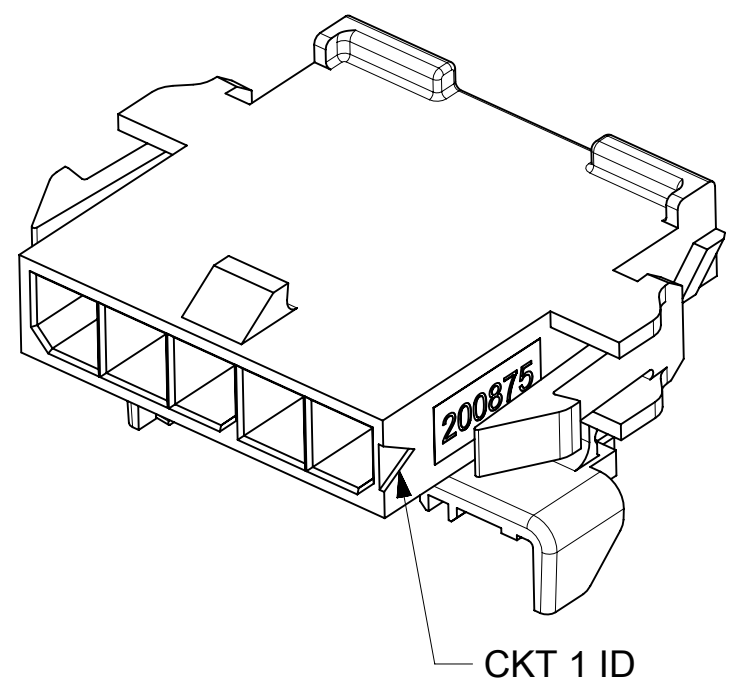
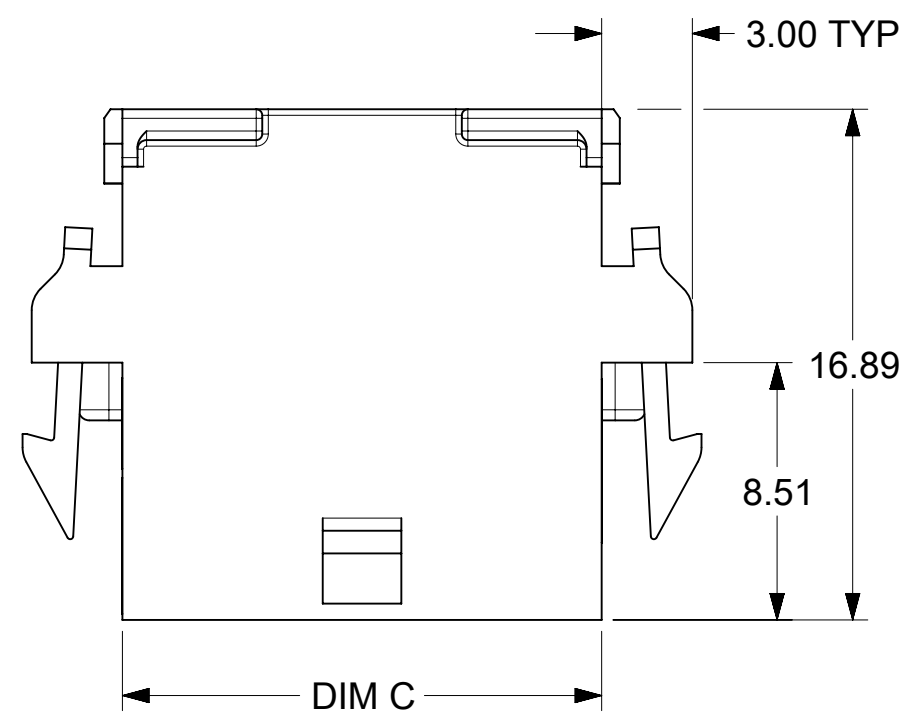
TPA CLOSED



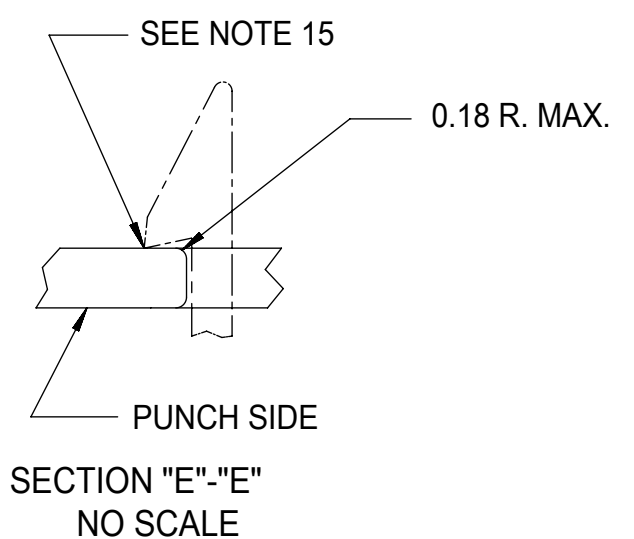
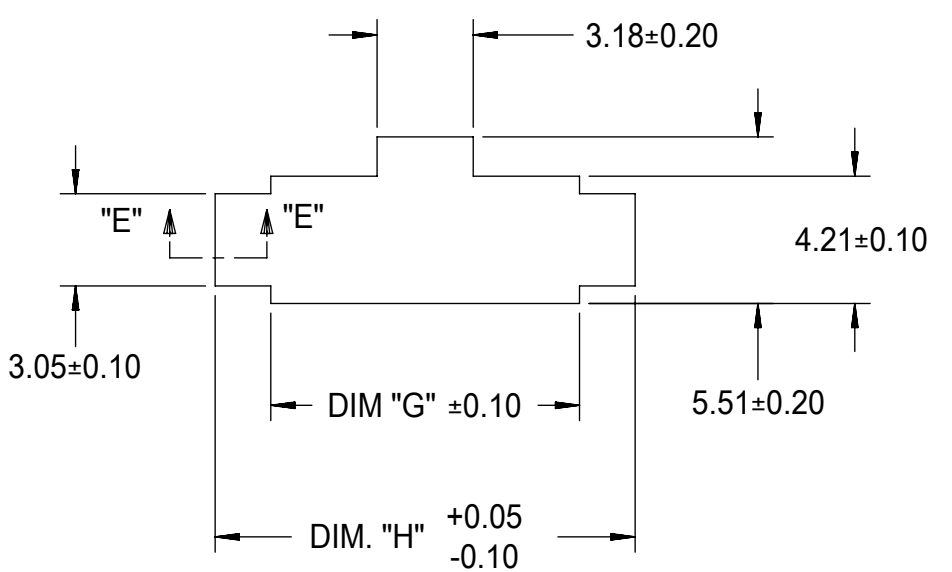
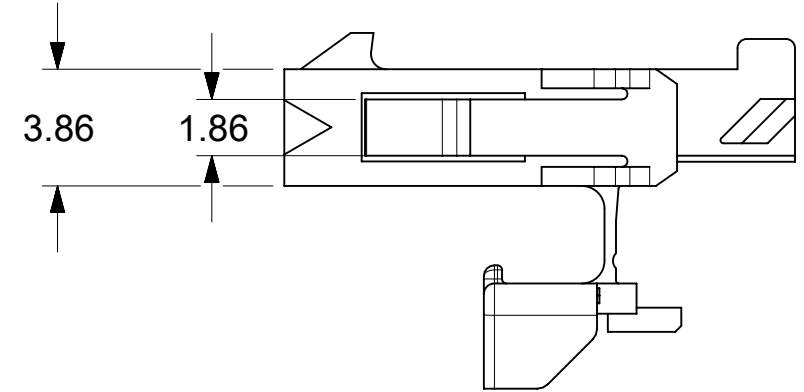
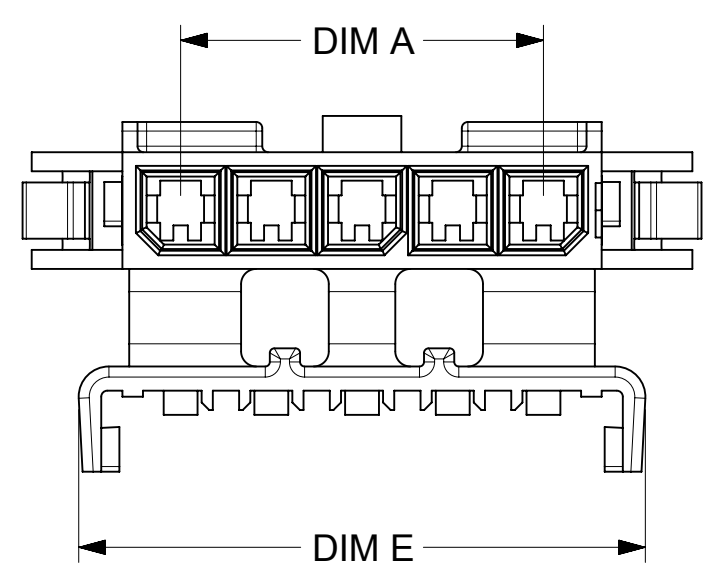
CIRCUIT SIZE	DIM A	DIM C	DIM E
2	3.00	6.85	9.74
3	6.00	9.85	12.74
4	9.00	12.85	15.74
5	12.00	15.85	18.74
6	15.00	18.85	21.74
7	18.00	21.85	24.74
8	21.00	24.85	27.74
9	24.00	27.85	30.74
10	27.00	30.85	33.74
11	30.00	33.85	36.74
12	33.00	36.85	39.74

FUNCTIONAL SYMBOLS				THIS DRAWING CONTAINS INFORMATION THAT IS PROPRIETARY TO MOLEX ELECTRONIC TECHNOLOGIES, LLC AND SHOULD NOT BE USED WITHOUT WRITTEN PERMISSION			
DIMENSION UNITS		SCALE		CURRENT REV DESC: ADD 8CKT AND GW OPTION			
mm		4:1		EC NO: 682217			
GENERAL TOLERANCES (UNLESS SPECIFIED)				DRWN: MKIPPER 2020/11/13			
ANGULAR TOL ± °				CHK'D: SSOUSEK 2022/09/06			
4 PLACES ±				APPR: FSMITH 2022/09/07			
3 PLACES ±				INITIAL REVISION:			
2 PLACES ± 0.25				DRWN: TGREGORI 2017/01/05			
1 PLACE ± 0.35				APPR: RHODGE 2017/01/06			
0 PLACES ±				THIRD ANGLE PROJECTION			
DRAFT WHERE APPLICABLE MUST REMAIN WITHIN DIMENSIONS				DRAWING		SERIES	
				C-SIZE		200875	
DOCUMENT NUMBER		DOC TYPE		DOC PART		REVISION	
2008750000-SD		PSD		000		D2	
MATERIAL NUMBER		CUSTOMER		SHEET NUMBER			
SEE TABLE		GENERAL MARKET		1 OF 3			

MICRO FIT SINGLE ROW TPA PLUG WITH PANEL MOUNT



PANEL MOUNTED OPTION



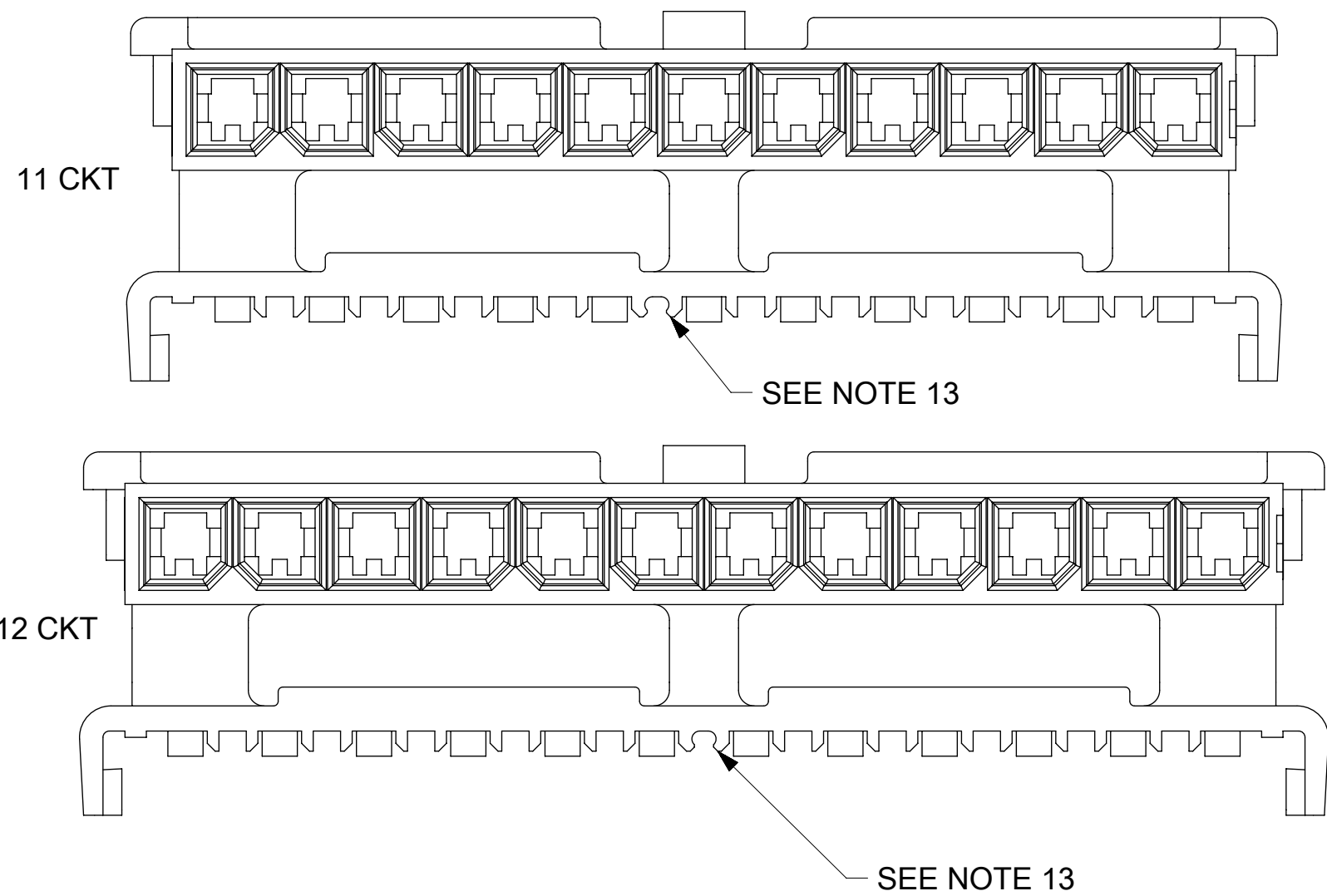
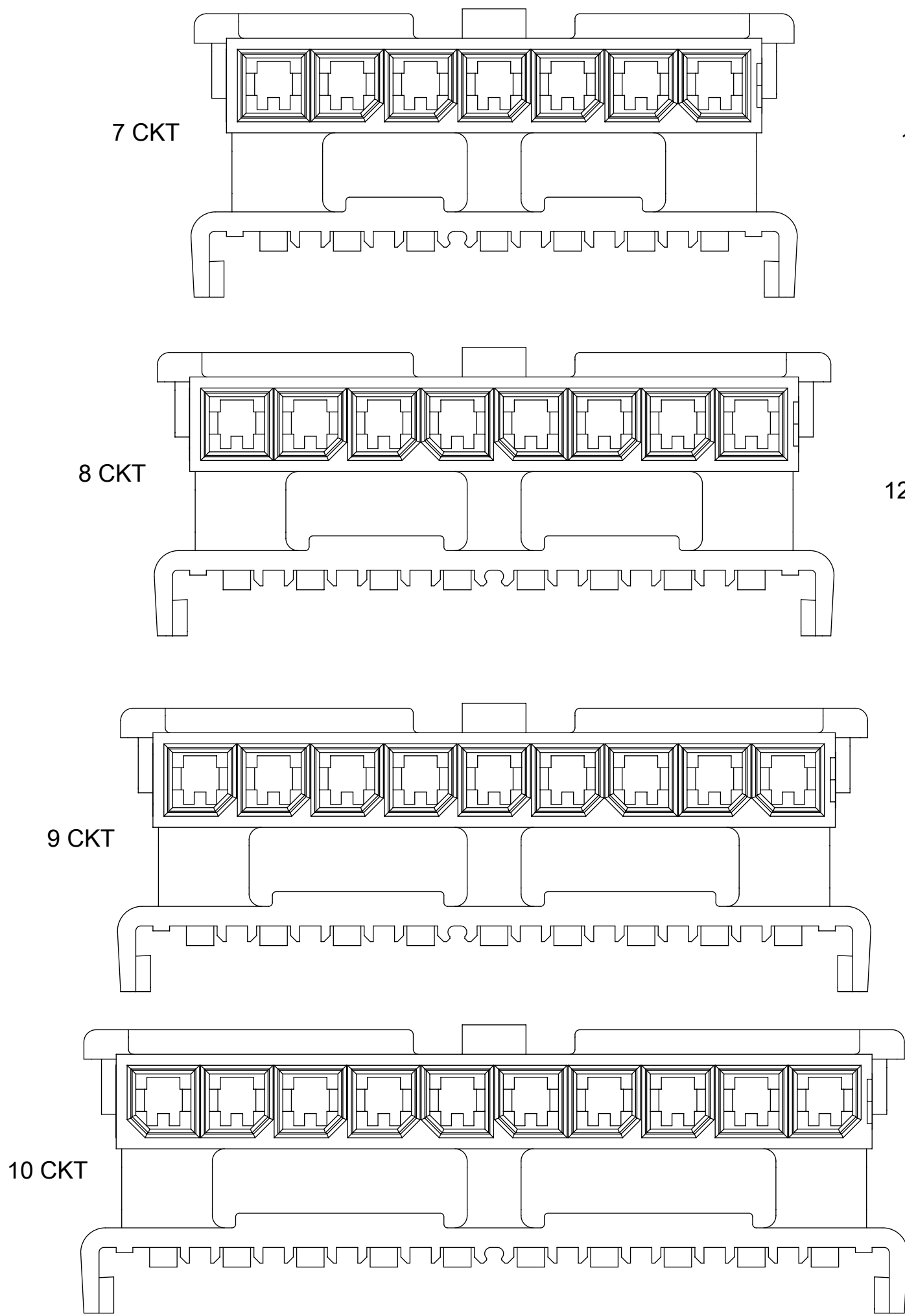
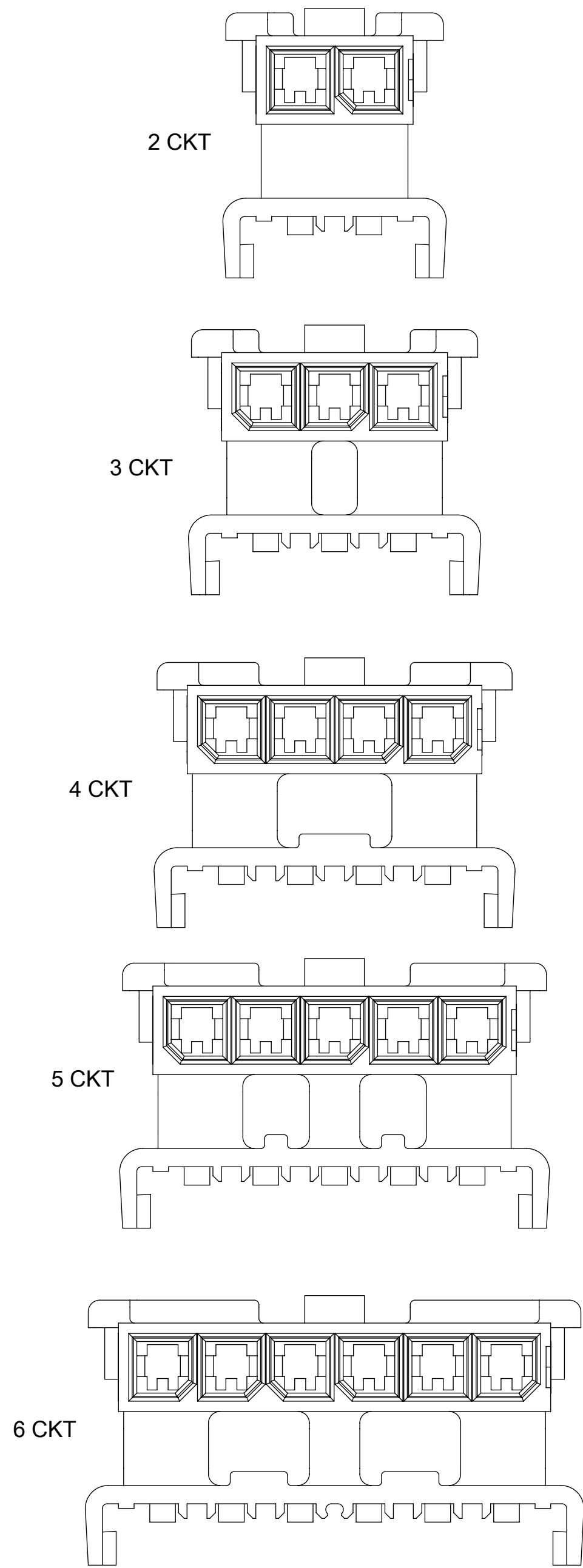
RECOMMENDED PANEL CUT-OUT
(SEE NOTES 14 AND 15)

CIRCUIT SIZE	TOOL STATUS	MATERIAL "A" V-0 LOW HALOGEN		MATERIAL "B" V-0 GLOW WIRE	
		FREE HANGING PART NUMBER	PANEL MOUNTED PART NUMBER	FREE HANGING PART NUMBER	PANEL MOUNTED PART NUMBER
		2	TOOLED	2008750002	2008750102
3	2008750003	2008750103		2008751003	2008751103
4	2008750004	2008750104		2008751004	2008751104
5	2008750005	2008750105		2008751005	2008751105
6	2008750006	2008750106		2008751006	2008751106
7	2008750007	2008750107		2008751007	2008751107
8	2008750008	2008750108		2008751008	2008751108
9	2008750009	2008750109		2008751009	2008751109
10	NOT TOOLED	2008750010	2008750110	2008751010	2008751110
11		2008750011	2008750111	2008751011	2008751111
12		2008750012	2008750112	2008751012	2008751112

CIRCUIT SIZE	DIM A	DIM C	DIM E	DIM G	DIM H
2	3.00	6.85	9.74	7.21	10.89
3	6.00	9.85	12.74	10.21	13.89
4	9.00	12.85	15.74	13.21	16.89
5	12.00	15.85	18.74	16.21	19.89
6	15.00	18.85	21.74	19.21	22.89
7	18.00	21.85	24.74	22.21	25.89
8	21.00	24.85	27.74	25.21	28.89
9	24.00	27.85	30.74	28.21	31.89
10	27.00	30.85	33.74	31.21	34.89
11	30.00	33.85	36.74	34.21	37.89
12	33.00	36.85	39.74	37.21	40.89

FUNCTIONAL SYMBOLS	THIS DRAWING CONTAINS INFORMATION THAT IS PROPRIETARY TO MOLEX ELECTRONIC TECHNOLOGIES, LLC AND SHOULD NOT BE USED WITHOUT WRITTEN PERMISSION				
$\frac{F}{A} = 0$ $\frac{F}{C} = 0$ $\frac{F}{P} = 0$	DIMENSION UNITS	SCALE	CURRENT REV DESC: ADD 8CKT AND GW OPTION		
	mm	4:1	molex MICRO-FIT TPA SINGLE ROW PLUG HOUSING PRODUCT CUSTOMER DRAWING		
	GENERAL TOLERANCES (UNLESS SPECIFIED)				
	ANGULAR TOL ± °				
	4 PLACES ±				
DIVISIONAL SYMBOLS	3 PLACES ±		EC NO: 682217	2020/11/13	
	2 PLACES ± 0.25		DRWN: MKIPPER	2022/09/06	
	1 PLACE ± 0.35		CHK'D: SSOUSEK	2022/09/07	
	0 PLACES ±		APPR: FSMITH	2022/09/07	
	DRAFT WHERE APPLICABLE MUST REMAIN WITHIN DIMENSIONS		INITIAL REVISION:	2017/01/05	
	THIRD ANGLE PROJECTION		DRWN: TGREGORI	2017/01/06	
	DRAWING SERIES		APPR: RHODGE	2017/01/06	
	C-SIZE	200875	DOCUMENT NUMBER	DOC TYPE	DOC PART
			2008750000-SD	PSD	000
			MATERIAL NUMBER	CUSTOMER	SHEET NUMBER
			SEE TABLE	GENERAL MARKET	2 OF 3

POLARIZATION LAYOUT



THIS DRAWING CONTAINS INFORMATION THAT IS PROPRIETARY TO MOLEX ELECTRONIC TECHNOLOGIES, LLC AND SHOULD NOT BE USED WITHOUT WRITTEN PERMISSION									
FUNCTIONAL SYMBOLS	DIMENSION UNITS	SCALE	CURRENT REV DESC: ADD 8CKT AND GW OPTION						
$\nabla_A = 0$	mm	5:1	EC NO: 682217 DRWN: MKIPPER 2020/11/13 CHK'D: SSOUSEK 2022/09/06 APPR: FSMITH 2022/09/07 INITIAL REVISION: DRWN: TGREGORI 2017/01/05 APPR: RHODGE 2017/01/06						
$\nabla_C = 0$	GENERAL TOLERANCES (UNLESS SPECIFIED)								
$\nabla_P = 0$	ANGULAR TOL \pm °								
DIVISIONAL SYMBOLS	4 PLACES \pm		2022/09/07				PRODUCT CUSTOMER DRAWING		
	3 PLACES \pm		2022/09/07				DOCUMENT NUMBER		
	2 PLACES \pm 0.25		2022/09/07				2008750000-SD		
	1 PLACE \pm 0.35		2022/09/07				PSD 000 D2		
	0 PLACES \pm		2022/09/07				DOC TYPE DOC PART REVISION		
DRAFT WHERE APPLICABLE MUST REMAIN WITHIN DIMENSIONS		THIRD ANGLE PROJECTION	DRAWING	SERIES	MATERIAL NUMBER	CUSTOMER	SHEET NUMBER		
			C-SIZE	200875	SEE TABLE	GENERAL MARKET	3 OF 3		