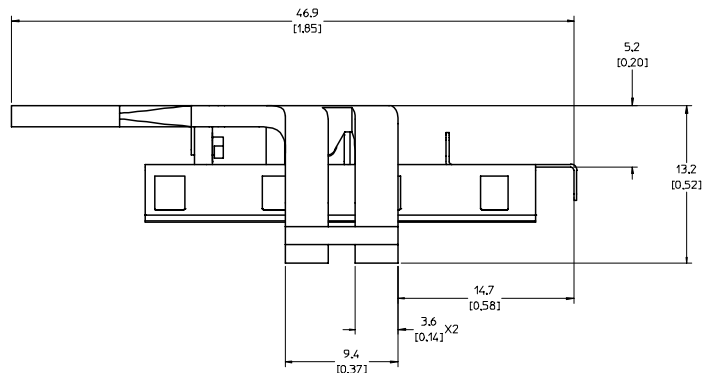
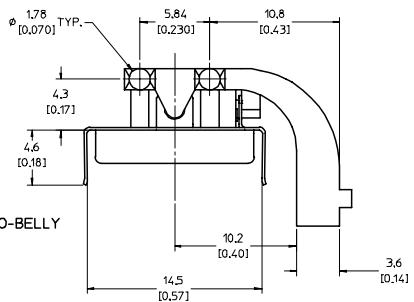
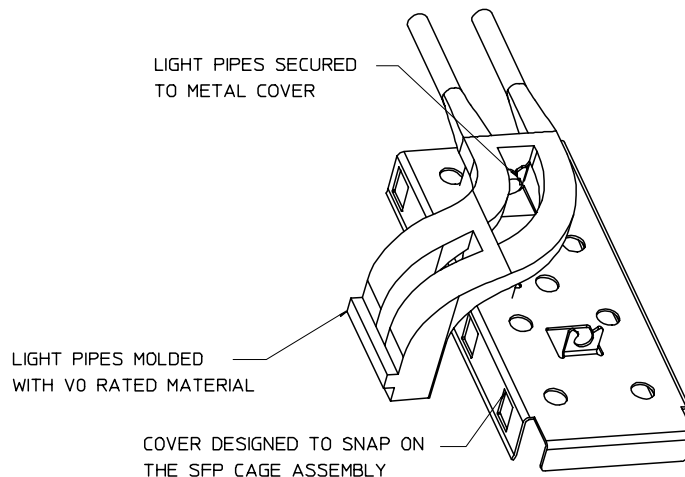
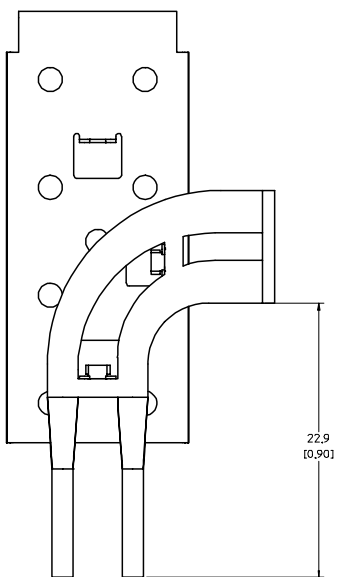


20 19 18 17 16 15 14 13 12 11 10 9 8 7 6 5 4 3 2 1



NOTES:

1. THIS LIGHT PIPE ASSEMBLY TO BE USED WITH THE FOLLOWING 1X1 SFP CAGE ASSEMBLIES:

747370002 - 1X1 SFP CAGE ASSEMBLY W/ SPRING FINGER GASKET (REFER TO DOCUMENT SD-74737-002 FOR DETAILS)

747370004 - 1X1 SFP CAGE ASSEMBLY W/ SPRING FINGER GASKET, BELLY-TO-BELLY (REFER TO DOCUMENT SD-74737-004 FOR DETAILS)

2. IT IS RECOMMENDED THAT THE CAGE ASSEMBLY BE PRESSED INTO THE PCB PRIOR TO ASSEMBLING THE LIGHT PIPE ASSEMBLY.

3. LED'S TO HAVE A MAXIMUM HEIGHT OF 1.4mm AND A MINIMUM HEIGHT OF 0.7mm.

4. RECOMMENDED LED'S INCLUDE THE FOLLOWING MANUFACTURES:

DIALIGHT: 597-77x1-5xx SERIES

CHICAGO MINIATURE: 7016 SERIES

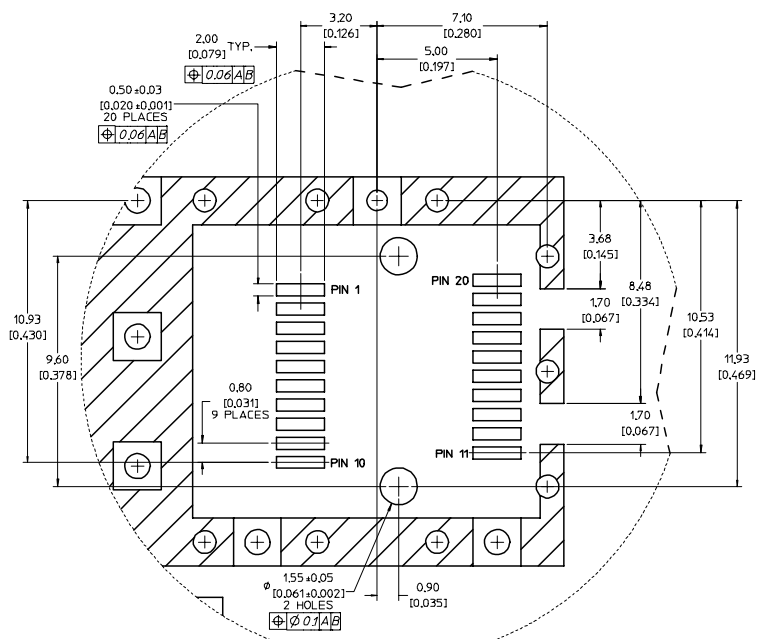
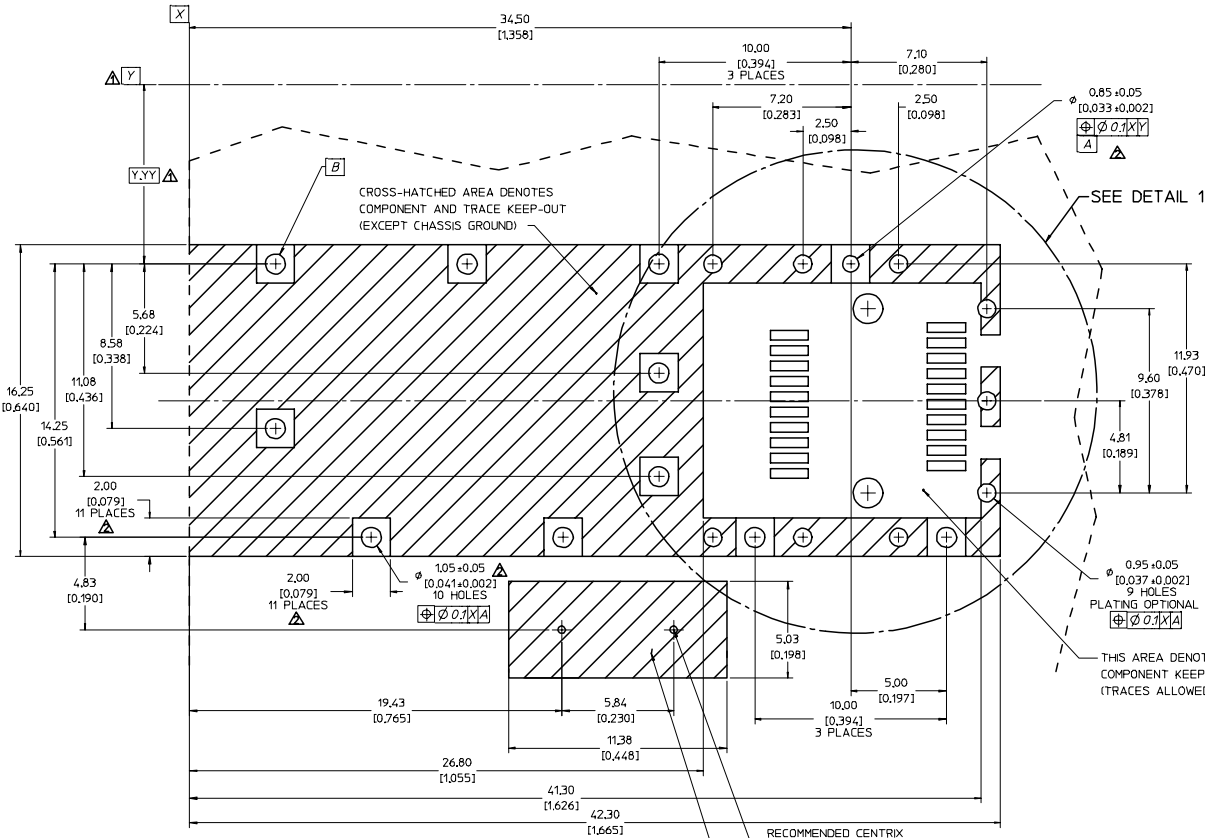
KINGBRIGHT: APBL3025 SERIES (BICOLOR)  
APL3015 SERIES (SINGLE COLOR)

5. THIS PART MEETS THE RESTRICTION OF HAZARDOUS SUBSTANCES IN ELECTRICAL AND ELECTRONIC EQUIPMENT (ROHS) DIRECTIVE (2002/95/EC).

EC NO: USY2005-0143 DRWNG: KSIMONSO08005/06/06 CHKD: BRUSSELL2005/06/07 APPR: BRUSSELL2005/06/08	QUALITY SYMBOLS	GENERAL TOLERANCES (UNLESS SPECIFIED)	SCALE 5:1	DESIGN UNITS METRIC	THIRD ANGLE PROJECTION	REVISE ON CAD ONLY
	-0.1 -0.2	4 PLACES ± --- ± --- 3 PLACES ± --- ± .005 2 PLACES ± 0.13 ± .01 1 PLACE ± 0.25 ± ---	DIMENSION STYLE MM/IN DRAWN BY DATE KSIMONSO 2004/07/08	TITLE 1X1 SFP LIGHT PIPE ASSEMBLY, SIDE-TOP		
		ANGULAR ± 1°	CHECKED BY DATE BRUSSELL 2004/07/08	MOLEX INCORPORATED MATERIAL NO. 747260002 DOCUMENT NO. SD-74726-002 SHEET NO. 1 OF 4		
		DRAFT WHERE APPLICABLE MUST REMAIN WITHIN DIMENSIONS	APPROVED BY DATE BRUSSELL 2004/07/08	THIS DRAWING CONTAINS INFORMATION THAT IS PROPRIETARY TO MOLEX INCORPORATED AND SHOULD NOT BE USED WITHOUT WRITTEN PERMISSION		

19 18 17 16 15 14 13 12 11 10 9 8 7 6 5 4 3 2 1

- 1 DATUM AND BASIC DIMENSIONS ESTABLISHED BY CUSTOMER.
- 2 PADS AND VIAS ARE CHASSIS GROUND.
- 3 HOLE LAYOUT SHOWN IS FOR SINGLE SIDED MOUNTING ONLY. BELLY TO BELLY MOUNTING REQUIRES LAYOUT MIRRORED ON OPPOSITE SIDE OF BOARD. CAGE DESIGN AND TRANSCIEVER PROFILE SHOULD BE CONSIDERED IN DETERMINING MINIMUM BOARD THICKNESS IN BELLY TO BELLY MOUNTING.
4. CONNECTOR PAD LAYOUT PER SFP MSA. WILL ACCOMODATE MOLEX CONNECTOR SERIES 74441 OR EQUIVALENT.

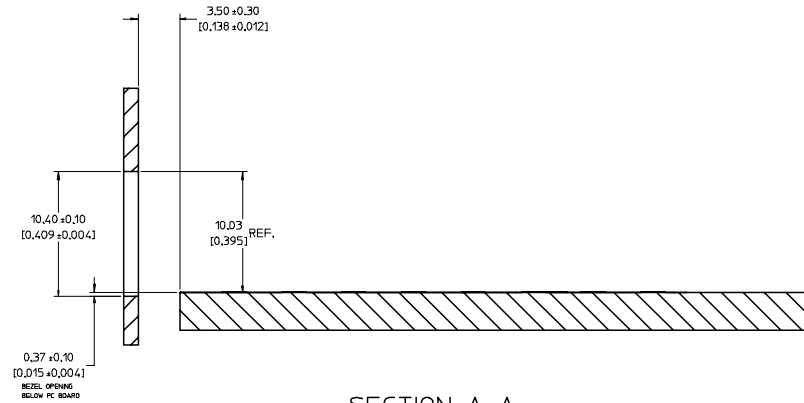
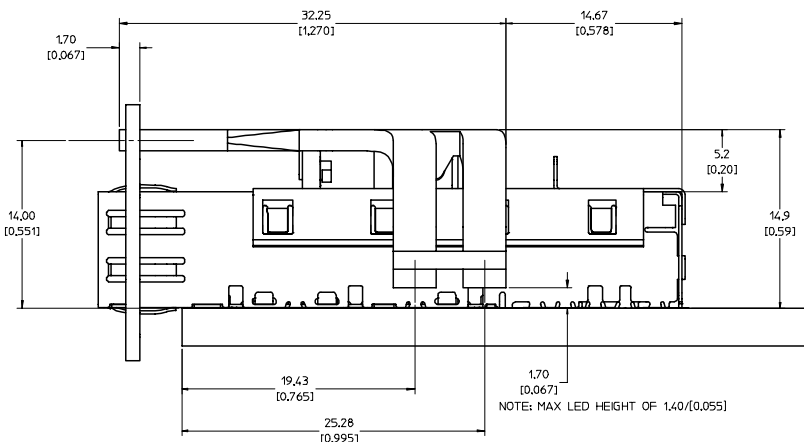
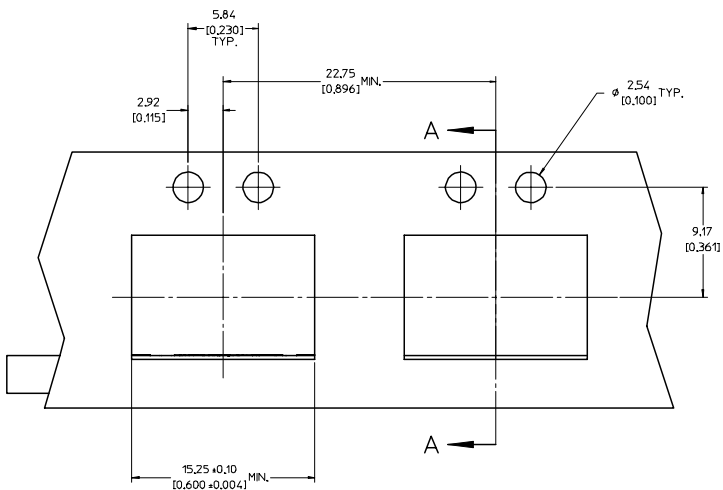
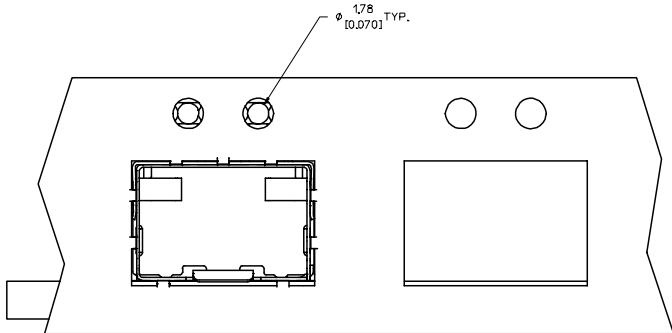


EC NO: USY2005-043 DRW:KSIMONSO0805/06/06 CHKD:BRUSSELL2005/06/07 APPR:BRUSSELL2005/06/08 REV DESCRIPTION	QUALITY SYMBOLS	GENERAL TOLERANCES (UNLESS SPECIFIED)	SCALE 5:1	DESIGN UNITS METRIC	THIRD ANGLE PROJECTION	REVISE ON CAD ONLY
	▽-0	4 PLACES ±--- ±---	mm	DIMENSION STYLE MM/IN	TITLE 1X1 SFP LIGHT PIPE ASSEMBLY, SIDE-TOP	
	▽-0	3 PLACES ±--- ±.005	INCH	DRAWN BY KSIMONSO	DATE 2004/07/08	MOLEX INCORPORATED MATERIAL NO. 747260002 DOCUMENT NO. SD-74726-002 SHEET NO. 2 OF 4
		2 PLACES ±0.13 ±.01		CHECKED BY BRUSSELL	DATE 2004/07/08	
	1 PLACE ±0.25 ±---	ANGULAR ± 1°	APPROVED BY BRUSSELL	DATE 2004/07/08	THIS DRAWING CONTAINS INFORMATION THAT IS PROPRIETARY TO MOLEX INCORPORATED AND SHOULD NOT BE USED WITHOUT WRITTEN PERMISSION	
		DRAFT WHERE APPLICABLE MUST REMAIN WITHIN DIMENSIONS				

20 19 18 17 16 15 14 13 12 11 74726 9 8 7 6 5 4 3 2 1

L  
K  
J  
I  
H  
G  
F  
E  
D  
C  
B  
A

L  
K  
J  
I  
H  
G  
F  
E  
D  
C  
B  
A



SECTION A-A

EC NO: USY2005-0143 DRAWN: K SIMONSON 08/05/06/06 CHKD: BRUSSELL 2005/06/07 APPR: BRUSSELL 2005/06/08	QUALITY SYMBOLS	GENERAL TOLERANCES (UNLESS SPECIFIED)		SCALE 5:1	DESIGN UNITS METRIC	THIRD ANGLE PROJECTION	REVISE ON CAD ONLY
	DESCRIPTION 1X1 SFP LIGHT PIPE ASSEMBLY, SIDE-TOP	4 PLACES	mm	INCH	DIMENSION STYLE MM/IN		TITLE 1X1 SFP LIGHT PIPE ASSEMBLY, SIDE-TOP
		3 PLACES	± ---	± ---	DRAWN BY K SIMONSON	DATE 2004/07/08	
		2 PLACES	± 0.13	± .01	CHECKED BY BRUSSELL	DATE 2004/07/08	
1 PLACE	± 0.25	± ---	ANGULAR ± 1°	APPROVED BY BRUSSELL	DATE 2004/07/08	MOLEX INCORPORATED MATERIAL NO. 747260002 DOCUMENT NO. SD-74726-002 SHEET NO. 3 OF 4	
	DRAFT WHERE APPLICABLE MUST REMAIN WITHIN DIMENSIONS		THIS DRAWING CONTAINS INFORMATION THAT IS PROPRIETARY TO MOLEX INCORPORATED AND SHOULD NOT BE USED WITHOUT WRITTEN PERMISSION				

19 18 17 16 15 14 13 12 11 10 9 8 7 6 5 4 3 2 1

20 19 18 17 16 15 14 13 12 11 74726 9 8 7 6 5 4 3 2 1

DATE	REV	CHANGES	COMMENTS
2003/11/13	1	PRELIMINARY DOCUMENT	N/A
2004/07/08	A	INITIAL RELEASE	N/A
2005/01/17	B	UPDATED VIEWS	DOCUMENT CHANGE ONLY
2005/06/03	C	CORRECTED P/N FOR DIALIGHT LED	DOCUMENT CHANGE ONLY

EC NO: USY2005-0143 DRWNG: KSIMONSO08005/06/06 CHKD: BRUSSELL2005/06/07 APPR: BRUSSELL2005/06/08 REV: C	QUALITY SYMBOLS	GENERAL TOLERANCES (UNLESS SPECIFIED)	SCALE 1:1	DESIGN UNITS METRIC	THIRD ANGLE PROJECTION	REVISE ON CAD ONLY																											
	▽-0	<table border="1"> <thead> <tr> <th></th> <th>mm</th> <th>INCH</th> </tr> </thead> <tbody> <tr> <td>4 PLACES</td> <td>±.005</td> <td>±.0005</td> </tr> <tr> <td>3 PLACES</td> <td>±.01</td> <td>±.001</td> </tr> <tr> <td>2 PLACES</td> <td>±.025</td> <td>±.0025</td> </tr> <tr> <td>1 PLACE</td> <td>±.05</td> <td>±.005</td> </tr> </tbody> </table>		mm	INCH	4 PLACES	±.005	±.0005	3 PLACES	±.01	±.001	2 PLACES	±.025	±.0025	1 PLACE	±.05	±.005	<table border="1"> <thead> <tr> <th colspan="2">DIMENSION STYLE</th> </tr> <tr> <th>MM/IN</th> <th>MM/IN</th> </tr> </thead> <tbody> <tr> <td>DRAWN BY</td> <td>DATE</td> </tr> <tr> <td>KSIMONSO</td> <td>2004/07/08</td> </tr> <tr> <td>CHECKED BY</td> <td>DATE</td> </tr> <tr> <td>BRUSSELL</td> <td>2004/07/08</td> </tr> </tbody> </table>	DIMENSION STYLE		MM/IN	MM/IN	DRAWN BY	DATE	KSIMONSO	2004/07/08	CHECKED BY	DATE	BRUSSELL	2004/07/08	TITLE		
		mm	INCH																														
	4 PLACES	±.005	±.0005																														
3 PLACES	±.01	±.001																															
2 PLACES	±.025	±.0025																															
1 PLACE	±.05	±.005																															
DIMENSION STYLE																																	
MM/IN	MM/IN																																
DRAWN BY	DATE																																
KSIMONSO	2004/07/08																																
CHECKED BY	DATE																																
BRUSSELL	2004/07/08																																
▽C-0	ANGULAR ± 1°	DRAFT WHERE APPLICABLE MUST REMAIN WITHIN DIMENSIONS	APPROVED BY	DATE	MATERIAL NO.	DOCUMENT NO.	SHEET NO.																										
			BRUSSELL	2004/07/08	747260002	SD-74726-002	4 OF 4																										
THIS DRAWING CONTAINS INFORMATION THAT IS PROPRIETARY TO MOLEX INCORPORATED AND SHOULD NOT BE USED WITHOUT WRITTEN PERMISSION																																	

1X1 SFP LIGHT PIPE ASSEMBLY, SIDE-TOP

MOLEX INCORPORATED

19 18 17 16 15 14 13 12 11 10 9 8 7 6 5 4 3 2 1