

NOTES

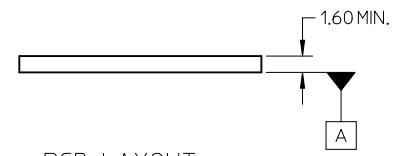
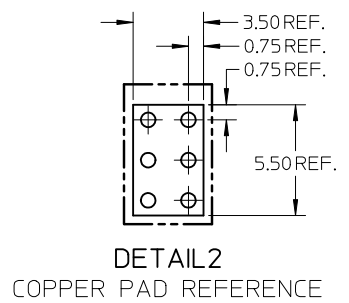
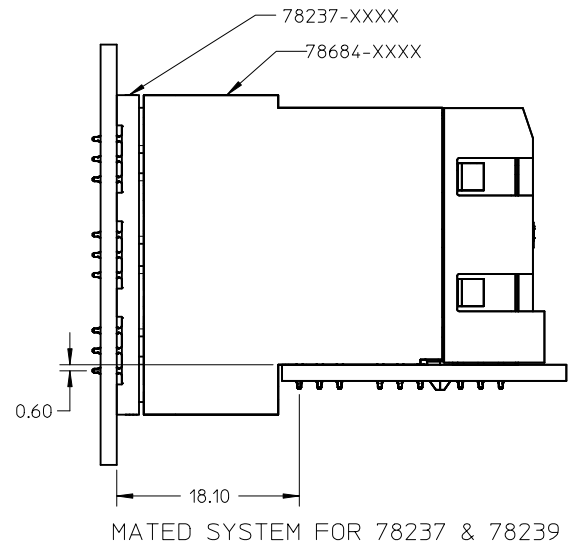
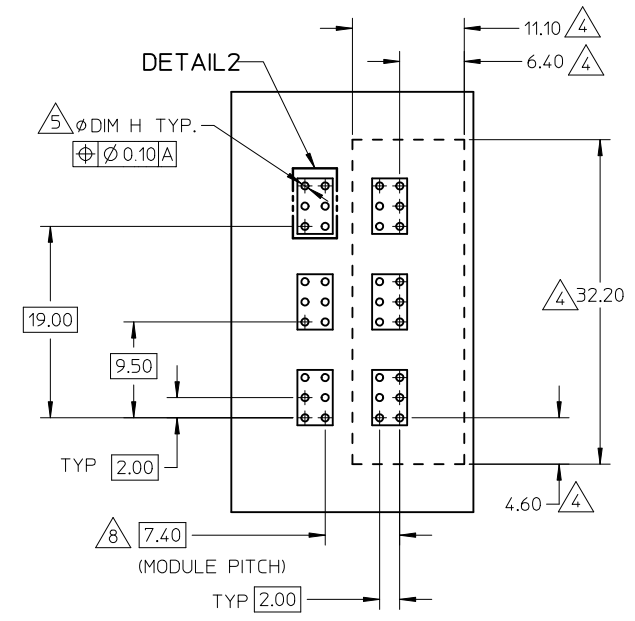
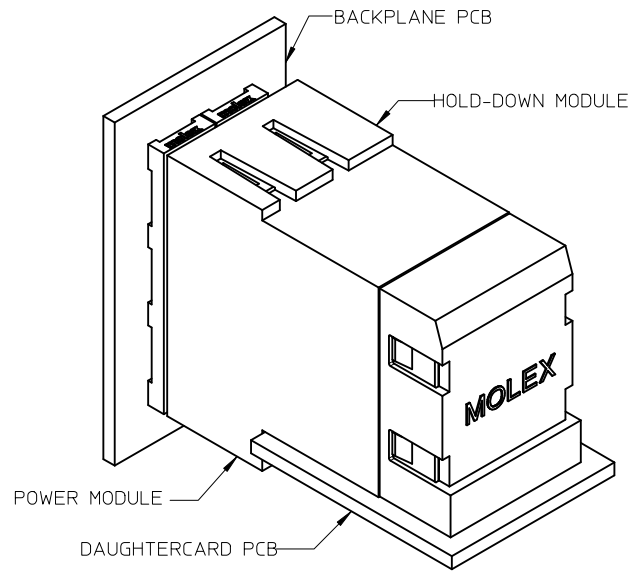
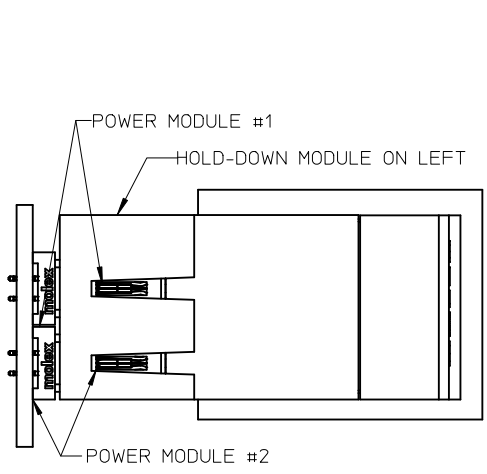
1. MATERIALS :
 HOUSING - LCP, GLASS FILLED, UL94-V0, COLOR: BLACK.
 POWER PIN - COPPER ALLOY
2. FINISHES:
 TIN: 0.76 MICROMETER MINIMUM GOLD AT CONTACT AREA AND
 2.54 MICROMETER MINIMUM TIN AT SOLDER TAIL AREA OVER
 1.27µm MINIMUM NICKEL UNDERPLATE.
3. PRODUCT SPECIFICATION: PS-78231-006.
4. COMPONENT STAY AWAY ZONE FROM CONNECTOR.
5. PCB NOTE FOR PLATED HOLE.

TYPE OF PLATED HOLE	DRILLED HOLE SIZE	PLATING THICKNESS	PLATED HOLE SIZE "ØDIM H"
TIN	0.838	0.007 MIN TIN/SILVER	0.725±0.075
SILVER	0.863	OVER 0.03 TO 0.08 COPPER PLATING	0.750±0.050

- SEE SHEET 2 AND 3 FOR RECOMMENDED PCB LAYOUT.
6. MATES WITH 78684-****.
 7. PART NUMBER AND YY-DDD DATE CODE.
 8. ADD 7.40mm FOR EACH ADDITIONAL POWER MODULE.
 9. PACKAGING PROCEDURE AS PER PK-78237-001.

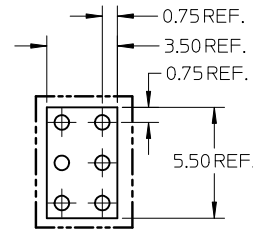
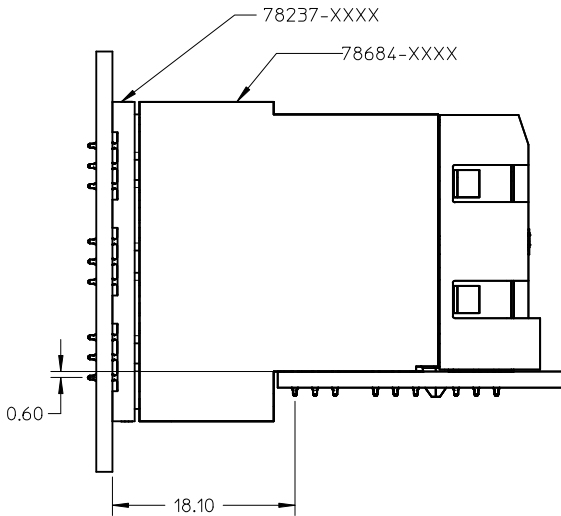
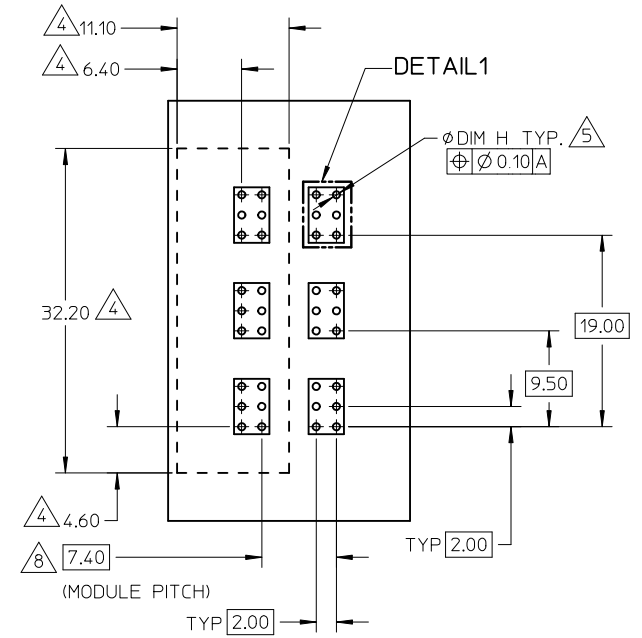
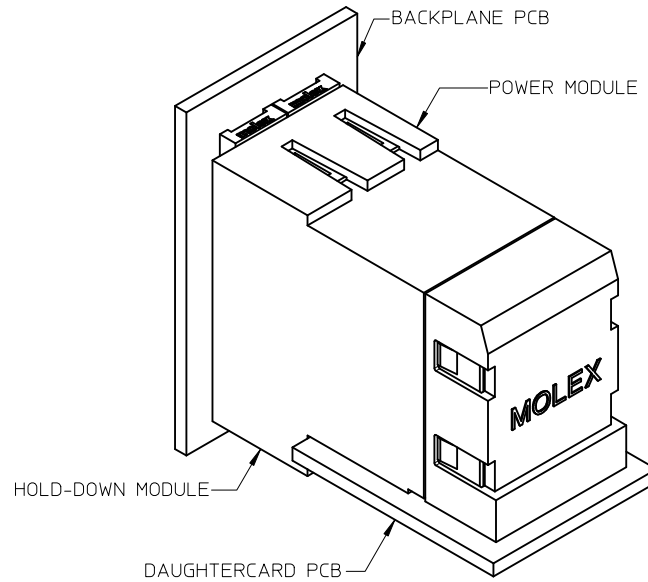
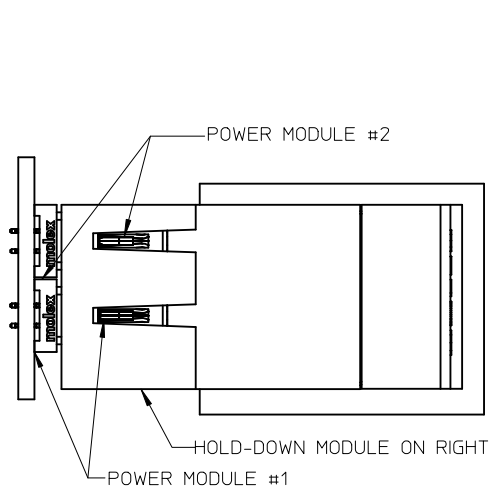
REMOVE PB/SN EC NO: S2012-0580 DRWN: SHONG CHKD: LNG APPR: NAGESHKN	2012/01/31 2012/02/13 2012/02/13	DESCRIPTION A1	QUALITY SYMBOLS	GENERAL TOLERANCES (UNLESS SPECIFIED)	DIMENSION STYLE	SCALE	DESIGN UNITS	THIRD ANGLE PROJECTION
			▽=0 Ⓢ=0	mm INCH 4 PLACES ± --- ± --- 3 PLACES ± --- ± --- 2 PLACES ± 0.25 ± --- 1 PLACE ± --- ± --- ANGULAR ± 3 °	MM ONLY	NTS	METRIC	
			DRAFT WHERE APPLICABLE MUST REMAIN WITHIN DIMENSIONS	DRAWN BY: LNG DATE: 2006/10/05 CHECKED BY: NRVITTAPELLI DATE: 2006/10/27 APPROVED BY: NAGESHKN DATE: 2012/01/06	TITLE	I-TRAC POWER, 15 ROW VERTICAL RECEPTACLE PRESS-FIT		
				MATERIAL NO. 78237-1001 SIZE A3	DOCUMENT NO. SD-78237-011 SHEET NO. 1 OF 3	MOLEX INCORPORATED		

MATED DIMENSIONS AND PCB LAYOUT WITH HEADER HOLD DOWN LEFT



REMOVE PB/SN EC NO: S2012-0580 DRWN: SHONG CHKD: LING APPR: NAGESHKN 2012/01/31 2012/02/13 2012/02/13	DESCRIPTION A1	QUALITY SYMBOLS	GENERAL TOLERANCES (UNLESS SPECIFIED)	DIMENSION STYLE	SCALE	DESIGN UNITS	THIRD ANGLE PROJECTION	
		$\nabla = 0$ $\square = 0$	mm INCH 4 PLACES ± --- ± --- 3 PLACES ± --- ± --- 2 PLACES ± 0.25 ± --- 1 PLACE ± --- ± --- ANGULAR ± 3 °	MM ONLY	NTS	METRIC	THIRD ANGLE PROJECTION	
			DRAFT WHERE APPLICABLE MUST REMAIN WITHIN DIMENSIONS	DRAWN BY: LNG DATE: 2006/10/05 CHECKED BY: NRVITTAPELLI DATE: 2006/10/27 APPROVED BY: NAGESHKN DATE: 2012/01/06	TITLE	I-TRAC POWER, 15 ROW VERTICAL RECEPTACLE PRESS-FIT MOLEX INCORPORATED		
				MATERIAL NO. 78237-1001 SIZE A3	DOCUMENT NO. SD-78237-011	SHEET NO. 2 OF 3 THIS DRAWING CONTAINS INFORMATION THAT IS PROPRIETARY TO MOLEX INCORPORATED AND SHOULD NOT BE USED WITHOUT WRITTEN PERMISSION		

MATED DIMENSIONS AND PCB LAYOUT WITH HEADER HOLD DOWN RIGHT



DETAIL 1
COPPER PAD REFERENCE



PCB LAYOUT
(MATED WITH HEADER HOLD DOWN MODULE RIGHT)
COMPONENT SIDE SHOWN

MATED SYSTEM FOR 78237 & 78239

REMOVE PB/SN EC NO: S2012-0580 DRWN: SHONG CHKD: LNG APPR: NAGESHKN	DESCRIPTION REV	QUALITY SYMBOLS	GENERAL TOLERANCES (UNLESS SPECIFIED)	DIMENSION STYLE	SCALE	DESIGN UNITS	THIRD ANGLE PROJECTION	
		▼=0 ◻=0	mm INCH	MM ONLY	NTS	METRIC		
			4 PLACES ± --- ± --- 3 PLACES ± --- ± --- 2 PLACES ± 0.25 ± --- 1 PLACE ± --- ± ---	DRAWN BY DATE LNG 2006/10/05	TITLE	I-TRAC POWER, 15 ROW VERTICAL RECEPTACLE PRESS-FIT		
			ANGULAR ± 3 °	CHECKED BY DATE NRVITTAPELLI 2006/10/27	MOLEX INCORPORATED			
A1		DRAFT WHERE APPLICABLE MUST REMAIN WITHIN DIMENSIONS	MATERIAL NO. 78237-1001	APPROVED BY DATE NAGESHKN 2012/01/06	DOCUMENT NO. SD-78237-011	SHEET NO. 3 OF 3		
				SIZE A3	THIS DRAWING CONTAINS INFORMATION THAT IS PROPRIETARY TO MOLEX INCORPORATED AND SHOULD NOT BE USED WITHOUT WRITTEN PERMISSION			