

Pivot Power RJ45

The Pivot Power RJ45 is a new, low voltage power connector that commons RJ45 contacts to provide two power connections through an industry standard RJ45 interface. The connector commons positions 1,3,5 and 7 to one 18AWG wire and 2,4,6, and 8 to another 18 AWG wire with simple, fast pivoting termination of both wires at once. The Pivot Power RJ45 features molded in polarity and strip length guides to aid installers and ensure proper and repeatable installation. Ideal for lighting and fire & security applications, the Power Pivot RJ45 is suitable for plenum installation, permitting use in air handling spaces when used with similar rated wire.

PRODUCT BENEFITS

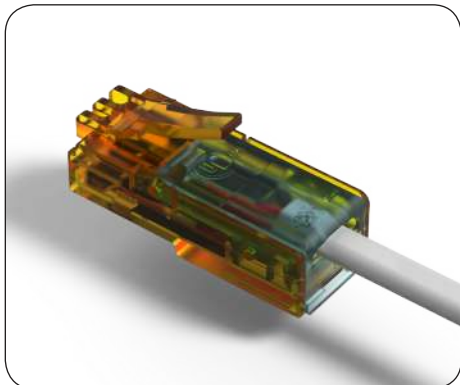
- Rapid termination saves installation time
- Commons RJ45 positions 1, 3, 5 and 7 to one 18 AWG wire and 2, 4, 6, and 8 to another 18 AWG wire simplifying the wiring process
- Reduced cable cost (2 conductor 18 AWG cables) when compared to 8 conductor Category 5 data grade cable.

PRODUCT FEATURES

- cUL listed allows for field termination in your specific application.
- Suitable for plenum installation in air handling spaces when used with similar rated wire
- Offered in color coded versions for European and North American wire styles
- Molded in polarity indication to help guide installers on proper termination to cable
- Molded in strip gauge to help ensure proper wire and cable strip lengths
- Integral cable strain relief to secure and retain cable jacket

APPLICATIONS

- Lighting
- Security Systems



MECHANICAL

- Operating Temperature: -40 to 85 °C for North American cable
-40 to 70 °C for European cable
- Cable Retention: 75 N min

ELECTRICAL

- 1A current rating at 60 VDC maximum
- 1000V AC rms dielectric per EIA364-20 condition 1

MATERIALS

- UL-94V0 rated plastic
- Contact: Copper alloy, tin over nickel plating
- Contact Plating: Au/Pd over Ni on mating interface, Sn on wire termination

STANDARDS AND SPECIFICATIONS

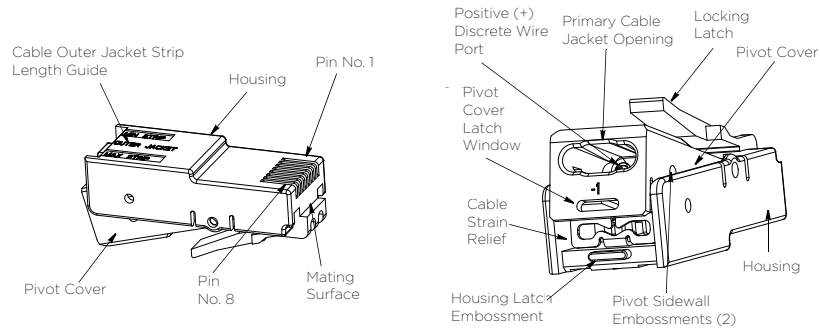
- UL 1863 listed for field termination to both US and Canadian Standards, cUL listed, File E81956, Volume 35
- Plenum application tested to UL2043
- Product Specification: **108-133010**
- Application Specification: **114-32052**
- Pivot Power RJ45 Instruction Sheet: **408-32086**

PRODUCT OFFERING

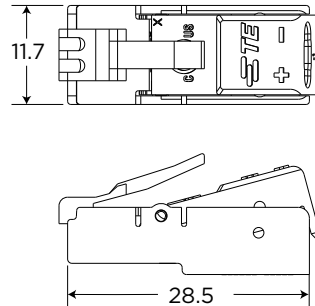
- **2213145-1** Pivot Power RJ45, clear stuffer, use with Belden 6300UE 18 AWG cable
- **2213145-2** Pivot Power RJ45, blue stuffer, use with Leoni H03VVh2-F 0.75 mm² cable



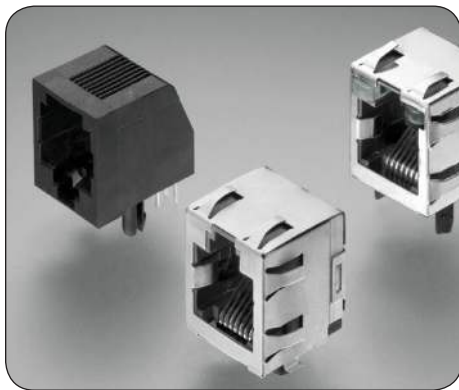
DESIGN FEATURES



PRODUCT DIMENSIONS



ASSOCIATED PRODUCTS



Right angle and vertical modular jacks

TE Connectivity's extensive product offering provides a broad selection of right angle and vertical modular jacks.

FEATURES

- Cat 3, Cat 5, Cat 5e performance ratings
- Low-profile, through-hole, or SMT
- With and without shielding
- With and without LEDs
- Grounding and panel features

Quick Reference Guide: [Modular Jacks - Single Port PCB Mount, # 1-1773464-9](#)

While TE has made every reasonable effort to ensure the accuracy of the information in this brochure, TE does not guarantee that it is error-free, nor does TE make any other representation, warranty or guarantee that the information is accurate, correct, reliable or current. TE reserves the right to make any adjustments to the information contained herein at any time without notice. TE expressly disclaims all implied warranties regarding the information contained herein, including, but not limited to, any implied warranties of merchantability or fitness for a particular purpose. The dimensions in this catalog are for reference purposes only and are subject to change without notice. Specifications are subject to change without notice. Consult TE for the latest dimensions and design specifications.

