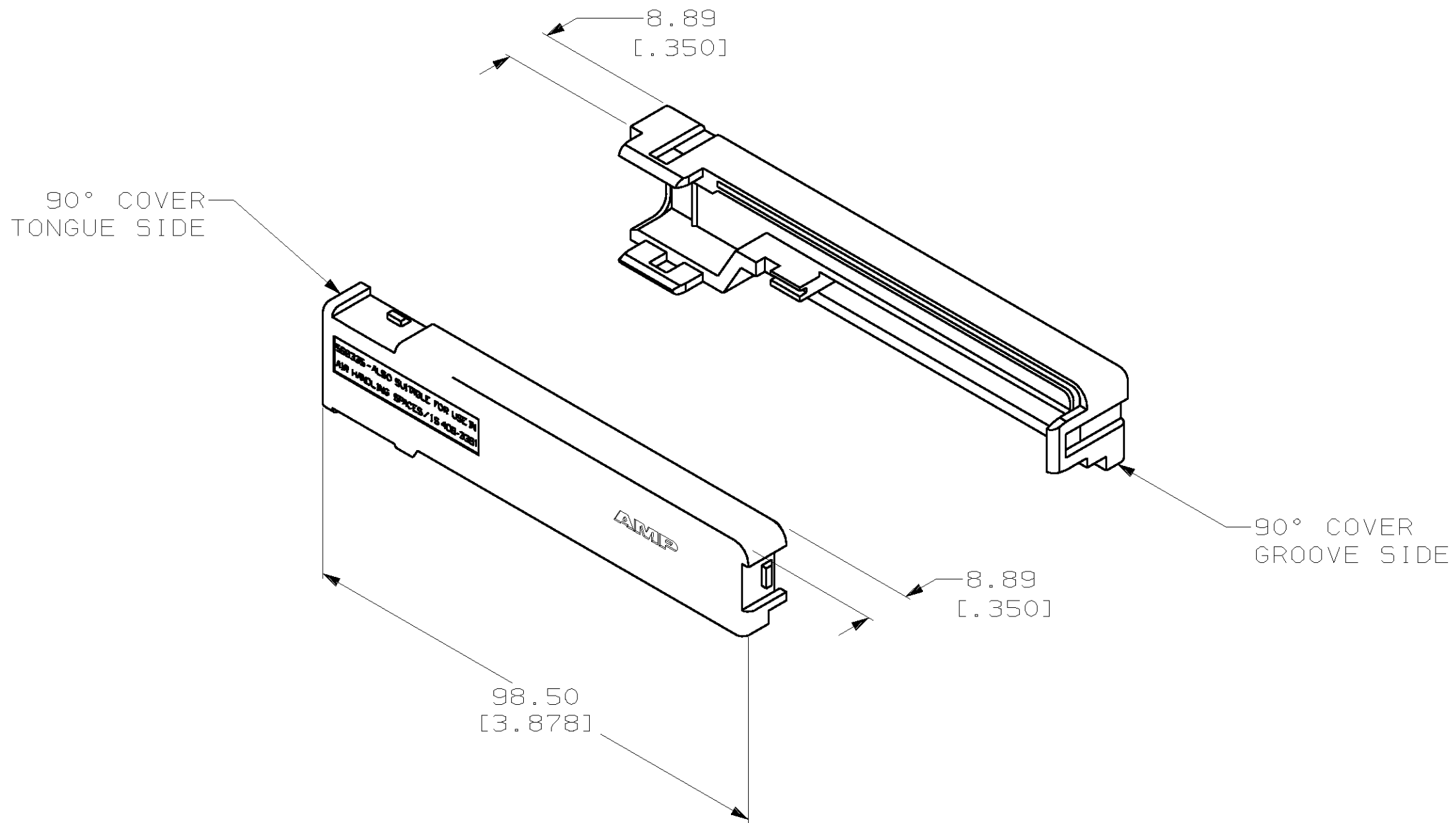


THIS DRAWING IS UNPUBLISHED. RELEASED FOR PUBLICATION ,19 .
 © COPYRIGHT 19 BY AMP INCORPORATED. ALL RIGHTS RESERVED.

LOC	DIST	REVISIONS			
P	LTR	DESCRIPTION	DATE	DWN	APVD
AA	20	B	OBSOLETE: -2 PER EC 0515-0321-02	21JAN03	DLD/RPM

1. THIS KIT SHIPPED NOT ASSEMBLED.



BLACK	569335-3
ALMOND	569335-1
COLOR	PART NUMBER

THIS DRAWING IS A CONTROLLED DOCUMENT FOR AMP INCORPORATED. IT IS SUBJECT TO CHANGE AND THE CONTROLLING ENGINEERING ORGANIZATION SHOULD BE CONTACTED FOR THE LATEST REVISION.		DWN	DL DRUMMOND	5-09-95	AMP Incorporated Harrisburg, PA 17105-3608		
DIMENSIONS:		CHK	N. JONES	5-12-95			
mm [INCHES]		APVD	M. HUGHES	5-19-95			
		PRODUCT SPEC	-	-			
TOLERANCES UNLESS OTHERWISE SPECIFIED:		APPLICATION SPEC	-	-	NAME	COVER KIT, 90 DEGREE, 50 POSITION, CHAMP SYSTEM 5	
0 PLC ±-		WEIGHT	-	-	SIZE	A3	
1 PLC ±-		CUSTOMER DRAWING		CAGE CODE	00779	DRAWING NO	C-569335
2 PLC ±-				SCALE	1:1	SHEET	1 OF 1
3 PLC ±0.13 [.005]				REV	B		
4 PLC ±-							
ANGLES ±-							
MATERIAL -							
FINISH -							