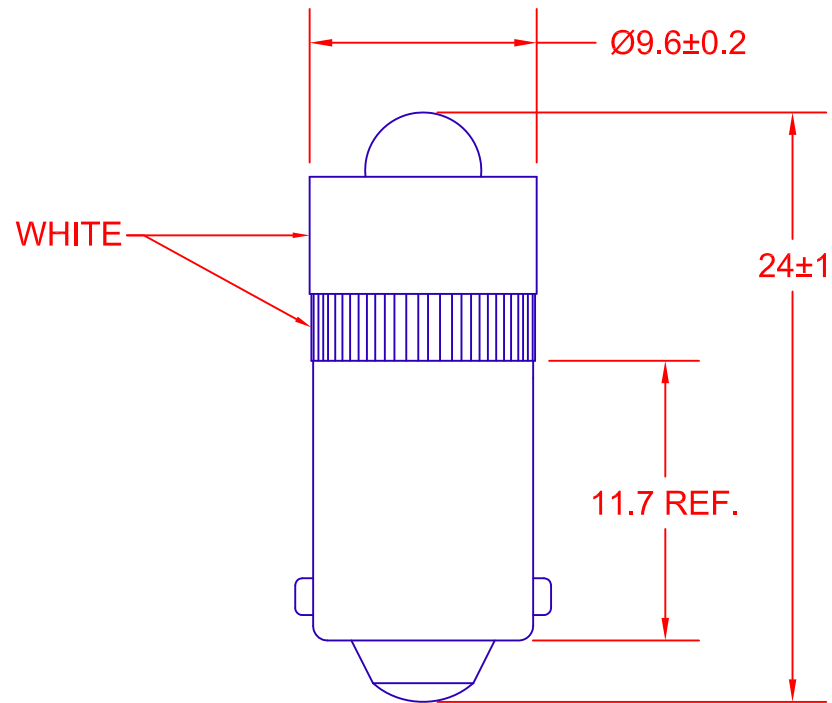


REV.	DESCRIPTION/ECO NO.	DATE
	RELEASED	4/19/12



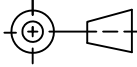
FEATURES

Non-Polarized
24V AC or DC Operation

ELECTRICAL OPTICAL CHARACTERISTICS

COLOR	AC/DC VOLTS	AMPS (mA)	LUMINOUS INTENSITY (mcd)	COLOR TEMPERATURE	50% POWER ANGLE (deg.)
COOL WHITE	24	20 (MAX.)	TYP. 7,000	6000K	30

JKL PART NO.: LE-BA9S-24W

METRIC  THIRD ANGLE PROJECTION	DIMENSIONS ARE IN MILLIMETERS TOLERANCE UNLESS OTHERWISE SPECIFIED 1 PL +/- 0.2 2 PL +/- 0.20 ANGLE +/- 0		JKL COMPONENTS CORPORATION			
			TITLE 24V T-3 1/4 BAYONET BASED LED			
DRAWN BY L. WENGSTROM	APPV'D BY L.R.	DATE 4/19/12	SIZE A	FSCM NO. 55335	DRAWING NO. LE-BA9S-24W	
- CAD DRAWING - MANUAL REVISIONS NOT PERMITTED			SCALE NONE	RELEASED DATE 4/19/12	REVISION DATE 	
				REV. NO.	SHEET 1 OF 1	