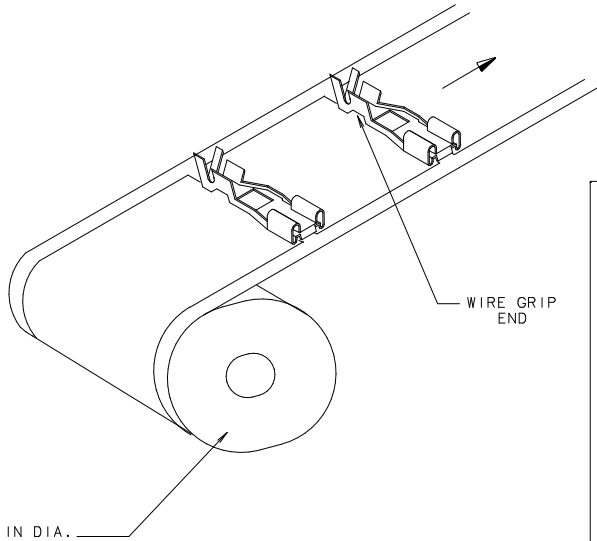
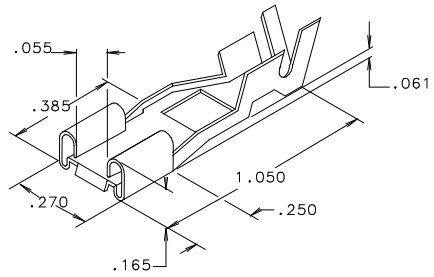


LITTELFUSE PART #	REELED	WIRE GAGE
913-042	YES	10
913-042-001	NO	10
913-043	YES	14
913-043-001	NO	14
913-044	YES	18



REELED TERMINALS ARE TO UNWIND FROM REEL WITH TERMINALS POSITIONED AS SHOWN

REEL IS APPROX. 19" IN DIA.
(NOT DRAWN TO SCALE)

NO	COMPONENT NO	DESCRIPTION	QTY/M	U/M
BILL OF MATERIAL				
CDPLIES TO		MAT SPEC	PRE HOT TIN	FINISH
1	9 18	DIPPED BRASS	CDA 230	---
SCALE		1/13/98		
2	10 19	DATE	SUPER DRW	
3	12 20	DATE	RAW STK WT	
4	13 21	DATE	TOLERANCE UNLESS OTHERWISE SPECIFIED	
5	14 23	DATE	TWO PLACE DEC ±.01	
6	15 33	DATE	THREE PLACE DEC ±.005	
7	16 43	DATE	ANGULAR ±1°	
8	17 53	DATE	FRAC TION ±	
TITLE				
CRIMP TERMINAL (SALES OUTLINE)				
LTR		REVISION		CHK
C	39059C-	REVISE & REDRAWN ON NEW FORMAT	3/31/98	JMB
D	81212D-	ADDED PT #913-044	3/9/01	JMB
LITTELFUSE		DRAWN BY		DATE
LITTELFUSE		D		60016
DES PLAINES, ILL INOIS		60016		913-042,-913-044

UNLESS OTHERWISE SPECIFIED, DIMENSIONS DO NOT INCLUDE PLATING.

CPK DENOTES CRITICAL CHARACTERISTICS.

CPK DENOTES CPK DIMENSIONS - MINIMUM CPK VALUE

CPK DENOTES A CHARACTERISTIC THAT PROVIDES AN INDICATION OF THE PROCESSING TO BE USED FOR MEASUREMENT

CPK DENOTES CP DIMENSIONS - MINIMUM CP VALUE

CPK DENOTES CP DIMENSIONS - MINIMUM CP VALUE

CPK DENOTES CP DIMENSIONS - MINIMUM CP VALUE

CPK DENOTES CP DIMENSIONS - MINIMUM CP VALUE

CPK DENOTES CP DIMENSIONS - MINIMUM CP VALUE

CPK DENOTES CP DIMENSIONS - MINIMUM CP VALUE

CPK DENOTES CP DIMENSIONS - MINIMUM CP VALUE

CPK DENOTES CP DIMENSIONS - MINIMUM CP VALUE

CPK DENOTES CP DIMENSIONS - MINIMUM CP VALUE

CPK DENOTES CP DIMENSIONS - MINIMUM CP VALUE

CPK DENOTES CP DIMENSIONS - MINIMUM CP VALUE

UNCONTROLLED DOCUMENT