

# SPECIFICATIONS

(RoHS Compliant)

Part Number: 19028887A

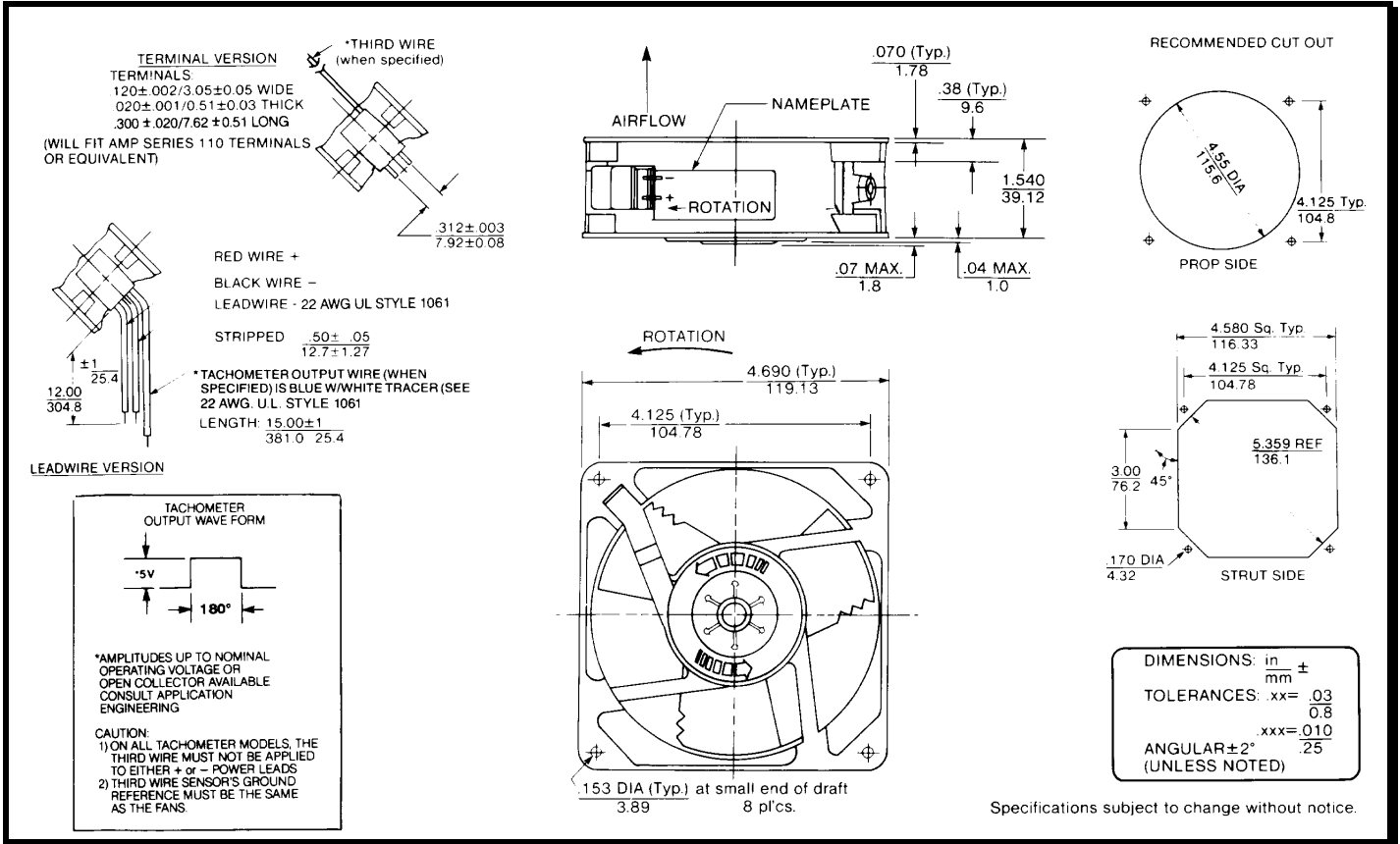
Drawing Number: 26007403A 01

Model Number: MD48B5

Jan.25.2013



## Mechanical Drawing:



### Motor:

Nominal Voltage	= 48 vdc
Operating Voltage Range	= 24 – 56 vdc
Nominal Running Current	= 0.120 amps
Locked Rotor Current	= 0.400 amps
Running Power	= 5.8 watts
Average Speed	= 3100 rpm
Bearings	= Ball
Air Flow	= 110 CFM
Acoustic	= 50.0 dBA

### Construction:

Venturi: Die-Cast Zinc Alloy, Black  
 Propeller: Plastic, Black, UL 94V-0

### Agency Certifications:

UL, CE

### Life Expectancy:

This fan is designed for continuous duty life of 83,000 hours at 40°C.

### Additional Features:

Brushless DC Motor  
 Automatic Restart Capability  
 Locked Rotor Protection  
 Polarity Protected  
 Operating Temperature: -10°C to 70°C  
 Storage Temperature: -40°C to 85°C

### Tachometer Output:

Output: 5 volt TTL Compatible  
 I<sub>c</sub>: 5mA Typical  
 Pulses per Revolution: 1  
 Isolated: No

### Termination:

12" Lead wires, 22 AWG, UL 1061  
 Red = Power (+)  
 Black = Return (-)  
 Blue/White = Tachometer (Output)