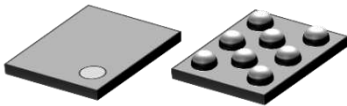


## 400 mA nano-quiescent synchronous step-down converter with digital voltage selection and Power Good



Flip-Chip8 (1.14x1.44 mm)

### Features

- 500 nA input quiescent current at  $V_{IN}=3.6$  V (not switching)
- 94% typical efficiency at 1 mA load ( $V_{IN}=3.6$  V,  $V_{OUT}=3.3$  V)
- 100% duty cycle
- 1.8 V to 5.5 V input operating range
- Undervoltage lockout: 1.57 V ( $V_{IN}$  falling, typ.)
- Up to 400 mA output current capability
- Low power control operation for the best efficiency
- Embedded soft-start circuit
- Tiny external components:  $L=2.2$   $\mu$ H typ.
- Selectable output voltages: 0.625 V to 3.3 V
- Output voltage Power Good
- $\pm 1.5\%$  output voltage accuracy ( $V_{OUT}$ ,  $T_A = 25$  °C)
- Dynamic output voltage selection (D0, D1)
- Available in Flip-Chip package

### Applications

- Wearable applications
- Personal tracking monitors
- Smart watches, sport bands
- Energy harvesting, wireless sensors
- Wearable and fitness accessories
- Industrial sensors, portable low power devices
- Single cell Li-Ion battery applications
- Bluetooth® low energy
- Zigbee

Product status link

ST1PS01

### Description

The **ST1PS01** is a nano-quiescent miniaturized synchronous step-down converter, which is able to provide up to 400 mA output current with an input voltage ranging from 1.8 V to 5.5 V.

This converter is specifically designed for applications where high efficiency, PCB size and thickness are the key factors. The output voltage can be set using two digital control inputs, a  $V_{OUT}$  from 0.625 V to 3.3 V can be dynamically selected. Thanks to the enhanced PCC (peak current control) the **ST1PS01** reaches very high efficiency conversion using just a 2.2  $\mu$ H inductor and two small capacitors. Advanced design circuitry is implemented to minimize the quiescent current. The device is available in Flip-Chip package.

# 1 Application schematic

Figure 1. ST1PS01 application schematic

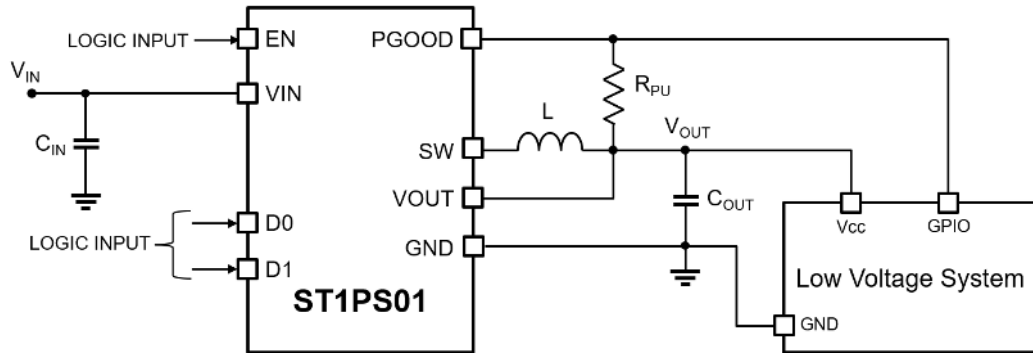
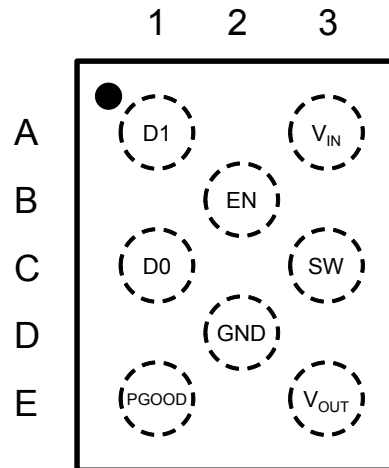


Table 1. Typical external components

Component	Description	Value	Size - imperial (metric)
$C_{IN}$	Ceramic capacitor with low ESR values	10 $\mu$ F	0603 (1608)
$C_{OUT}$	Ceramic capacitor with low ESR values	10 $\mu$ F	0603 (1608)
L	Inductor	2.2 $\mu$ H	0806 (2016)
$R_{PU}$	Pull-up resistor	1 M $\Omega$	0402 (1005)

## 2 Pin configuration

**Figure 2.** Flip-Chip8 package (top through view)



**Table 2.** Pin description

Name	Bump name	Description
V <sub>IN</sub>	A3	Input supply voltage. Bypass this pin to ground with a 10 μF capacitor
SW	C3	Switching output. Inductor connection
V <sub>OUT</sub>	E3	Sense pin used to monitor output voltage
EN	B2	Enable pin. High logic level turns on the IC. V <sub>IN</sub> referred
GND	D2	Ground
D1	A1	Output voltage selection inputs (Refer to the <a href="#">Section 5</a> )
D0	C1	
PGOOD	E1	Open drain output. It is in high impedance when the output voltage reaches 97.5% of the target V <sub>OUT</sub>

### 3 Functional pin description

---

**GND**

Device ground pin.

**VIN**

Supply voltage. This pin supplies power to the internal analog and digital circuitries when voltage is higher than  $V_{UVLO}$ . Bypass this pin to GND with a 10  $\mu$ F ceramic capacitor. Input capacitor  $C_{IN}$  must be chosen with low ESR to reduce the input voltage ripple.

**SW**

Inductor connection to internal PMOS and NMOS switches.

**VOUT**

Output voltage sense input. It provides the feedback voltage level to the regulation circuitry. 10  $\mu$ F output capacitor  $C_{OUT}$  must be connected close to the pin or through a short trace and should have low ESR to reduce the output voltage ripple.

**EN**

Enable pin. A logic low level on this pin disables the device. High level enables the device. Do not leave this pin floating.

**D0, D1**

Output voltage selection pins. See the [Section 5](#) for  $V_{OUT}$  selection. Do not leave these pins floating. These pins can be dynamically changed during operation.

**PGOOD**

Power Good open drain output. If used it requires a pull-up resistor to hold a high level signal. High impedance indicates that  $V_{OUT}$  is above proper good threshold.

## 4 Maximum ratings

**Table 3. Absolute maximum ratings**

Symbol	Parameter	Value	Unit
$V_{IN}$	Power and signal supply voltage	- 0.3 to + 6.5	V
EN, D0, D1	Logic input pins	- 0.3 to + 6.5	V
$V_{OUT}$ , SW	Output signal monitoring and switching pins	-0.3 to $V_{IN} + 0.3$	V
PGOOD	Power Good open drain output pin	- 0.3 to + 6.5	V
$T_{AMB}$	Operating ambient temperature	-40 to 85	°C
$T_J$	Junction temperature	-40 to 125	°C
$T_{STG}$	Storage temperature	-55 to 150	°C

*Note:* Absolute maximum ratings are those values beyond which damage to the device may occur. Functional operation under these conditions is not implied

**Table 4. Thermal data**

Symbol	Parameter	Flip-Chip8	Unit
$R_{thJA}$	Thermal resistance junction-ambient	60	°C/W

**Table 5. Recommended operating conditions**

Symbol	Parameter	Min.	Typ.	Max.	Unit
$V_{IN}$	Input supply voltage	1.8		5.5	V

## 5 Electrical characteristics

$C_{IN}=10\ \mu\text{F}$ ,  $C_{OUT}=10\ \mu\text{F}$ ,  $L=2.2\ \mu\text{H}$ ,  $R_{PU}=1\ \text{M}\Omega$ ,  $V_{IN}=3.6\ \text{V}$ ,  $V_{EN}=V_{IN}$ ,  $V_{OUT}=1.8\ \text{V}$ ,  $T_A=25\ ^\circ\text{C}$  unless otherwise specified.

**Table 6. Electrical characteristics**

Symbol	Parameter	Test conditions	Min.	Typ.	Max.	Unit
<b>General section</b>						
$I_Q$	Quiescent current	$V_{IN}=V_{IN}$ , device does not switch ( $V_{OUT}$ pin voltage > $V_{OUT}$ setting value), $V_{IN}=V_{OUT\_min.}+0.3\ \text{V}$ (1.8 V min.) to 5.5 V	-	500	1000	nA
$I_{SD}$	Shutdown current	$V_{IN}=GND$ , shutdown current into $V_{IN}$	-	10	200	nA
$V_{UVLO}$	Undervoltage lockout threshold	$V_{IN}$ rising	-	1.63	1.72	V
		$V_{IN}$ falling	1.51	1.57	-	V
		Hysteresis	-	65	-	mV
$V_{th100\%+}$	100% mode leave threshold	$V_{IN}$ rising, 100% mode is disabled with $V_{IN}=V_{OUTnom}+V_{th100\%+}$	-	300	-	mV
$V_{th100\%-}$	100% mode enter threshold	$V_{IN}$ falling, 100% mode is entered with $V_{IN}=V_{OUTnom}+V_{th100\%-}$	-	200	-	
<b>Output voltage</b>						
$V_{OUT}$	Output voltage range	Output voltages are selected with pins D0, D1	0.625	-	3.3	V
	Output voltage accuracy	$V_{IN}=3.6\ \text{V}$ , whole $V_{OUT}$ range, $I_{OUT}=100\ \text{mA}$	-1.5	-	1.5	%
$t_{ONmin}$	Minimum on-time	$V_{IN}=3.6\ \text{V}$ , $V_{OUT}=2\ \text{V}$ , $I_{OUT}=0\ \text{A}$	-	200	-	ns
$t_{OFFmin}$	Minimum off-time	$V_{IN}=2.3\ \text{V}$	-	50	-	ns
$t_{startupd}$	Start-up delay time	$V_{EN}$ from low to high, $V_{IN}=3.6\ \text{V}$ , $V_{OUT}=1.8\ \text{V}$	-	1.7	-	ms
$R_{OUTDIS}$	Output discharge MOSFET on-resistance	$V_{EN}=GND$	-	30	-	$\Omega$
<b>Logic inputs (EN, D0, D1)</b>						
$V_{IL}$	Low level input voltage threshold	$V_{IN}=1.8\ \text{V}$ to 5.5 V	-	-	0.3	V
$V_{IH}$	High level input voltage threshold		1.1	-	-	
<b>Power switch</b>						
$R_{DS(on)}$	High-side MOSFET on-resistance	$V_{IN}=3.6\ \text{V}$ , $I_{sw}=400\ \text{mA}$	-	0.38	0.45	$\Omega$
	Low-side MOSFET on-resistance		-	0.14	0.2	
$I_{LIM1}$	High-side MOSFET switch current limit	$1.8\ \text{V} \leq V_{IN} \leq 5.5\ \text{V}$	500	-	1150	mA
$I_{LIMSS}$	High-side MOSFET switch current limit during soft-start	Reduced switch current limit during soft-start (typ. 400 $\mu\text{s}$ )	180	280	360	
<b>Power Good output (PGOOD)</b>						
$V_{thpg}$	Power Good threshold voltage	Rising output voltage on $V_{OUT}$ pin, referred to $V_{OUT}$ selected (D0, D1)	95	97.5	-	%
$V_{thpgH}$		Hysteresis	-4	-3.2	-2.5	

Symbol	Parameter	Test conditions	Min.	Typ.	Max.	Unit
$V_{OL}$	Low level output voltage	$1.8\text{ V} \leq V_{IN} \leq 5.5\text{ V}$ , $E_N = \text{GND}$ , current into PGOOD pin, $I_{PGOOD} = 4\text{ mA}$	-	-	0.23	V

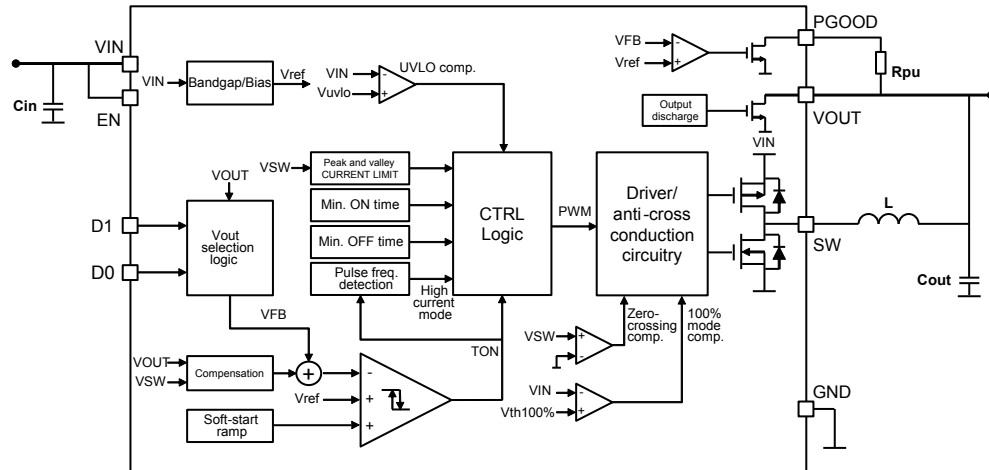
**Table 7. Output voltage settings**

Device	D1	D0	VOUT
ST1PS01AJR	0	0	1.9 V
	0	1	2.0 V
	1	0	2.1 V
	1	1	2.8 V
ST1PS01BJR	0	0	1.1 V
	0	1	1.2 V
	1	0	1.5 V <sup>(1)</sup>
	1	1	1.7 V <sup>(1)</sup>
ST1PS01CJR	0	0	1.0 V
	0	1	1.2 V
	1	0	1.3 V
	1	1	1.5 V <sup>(1)</sup>
ST1PS01DJR	0	0	1.8 V
	0	1	2.3 V
	1	0	2.5 V
	1	1	2.8 V
ST1PS01EJR	0	0	1.8 V
	0	1	2.7 V
	1	0	3.0 V
	1	1	3.3 V
ST1PS01FJR	0	0	1.05 V
	0	1	1.25 V
	1	0	1.35 V
	1	1	1.55 V <sup>(1)</sup>
ST1PS01GJR	0	0	0.73 V
	0	1	0.80 V
	1	0	0.90 V
	1	1	1.0 V
ST1PS01HJR	0	0	1.05 V
	0	1	0.90 V
	1	0	0.70 V
	1	1	0.625 V

1.  $V_{out}$  can be dynamically selected when  $V_{IN} = V_{out}$  selected + 300 mV, at least.

## 6 ST1PS01 block diagram

Figure 3. Block diagram





## 7 Operation description

The ST1PS01 is an ultra-low quiescent new generation buck converter. It targets a very small quiescent current consumption (typical 500 nA) and it guarantees high efficiency operation even down to few microampere loads. It is based on a hysteretic comparator that senses the coil ripple current that is held constant in all operation modes. The device has seamless transition between PFM (pulse frequency modulation) and PWM (pulse width modulation) mode with low ripple and good load transient response.

In order to maintain constant ripple current on the selected coil, the device changes switching frequency, which also depends on input supply voltage. During PWM mode (heavy load), the device operates in continuous conduction up to 400 mA and switching frequency can reach 2 MHz maximum.

### 7.1 Power save mode

At light load the device enters automatically power save mode with total current consumption from the input power supply of 500 nA typical; during this condition most of the internal blocks are turned off in order to reach ultra-low power consumption. During this time, the load current is supported by the output capacitor.

### 7.2 Output voltage

The device allows output voltage selection without external resistor divider. A couple of standard digital inputs are used to configure the device to supply a fixed output voltage according to [Section 5](#). The  $V_{OUT}$  pin **must be connected directly** and **as close as possible to the inductor terminal** to obtain the best performance and get the best output voltage regulation. The output voltage can be dynamically changed to implement voltage scaling.

### 7.3 Output discharge and UVLO

The device embeds a fast output discharge circuitry active when the enable pin is held to ground (EN=gnd) or when the input supply voltage reaches the minimum voltage level set by the UVLO protection circuit (undervoltage lock-out protection circuit). The UVLO rising threshold at 1.63 V (typ.) guarantees a proper device supply voltage operation.

### 7.4 Soft-start and current limitation

The device embeds a fixed soft-start circuit active during a limited time period (few ms). This feature allows the inrush current to be minimized from the power supply in case of weak source. During this period internal circuit reduces to 280 mA the typical switch current limit.

The ST1PS01 embeds also a current limit on high-side MOSFET to protect the device against overload or short-circuit on the output, during normal operation conditions. When the device enters 100% duty cycle operation condition and an overload (or short-circuit) occurs, the output voltage is set in shutdown in order to limit the power dissipation. To restart the device operation, a LOW to HIGH cycle on EN pin is necessary.

### 7.5 100% duty cycle operation

The device enters 100% duty cycle operation if the input voltage comes close to the selected output voltage. During this mode, the regulator is turned off and output pin is directly connected to the input pin through the high-side MOSFET. The output voltage follows the input level minus the voltage drop across the internal MOSFET and the inductor. Once the input voltage exceeds the 100% duty cycle leave threshold, the device restarts to switch and regulates the selected output voltage again.

### 7.6 Power Good flag

The Power Good comparator monitors the selected  $V_{OUT}$  voltage. The Power Good open drain output is in high impedance when the  $V_{OUT}$  reaches the correct voltage level while it switches to low level when  $V_{OUT}$  falls below the normal voltage level.

## 8 Typical performance characteristics

Figure 4. Efficiency vs load,  $V_{OUT} = 1.8\text{ V}$

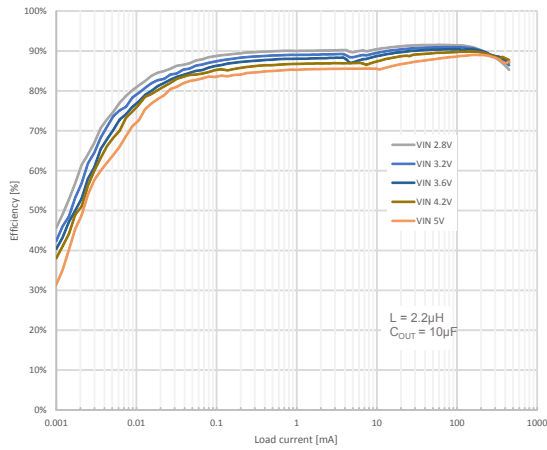


Figure 5. Efficiency vs  $V_{IN}$ ,  $V_{OUT} = 1.8\text{ V}$

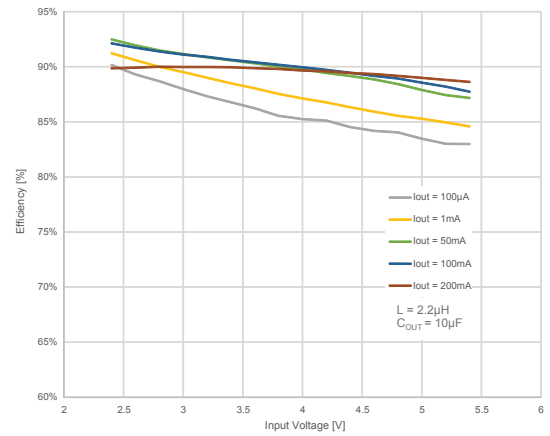


Figure 6. Efficiency vs load,  $V_{OUT} = 3.3\text{ V}$

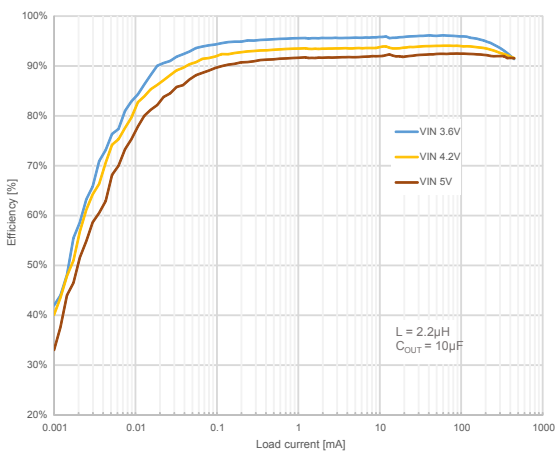
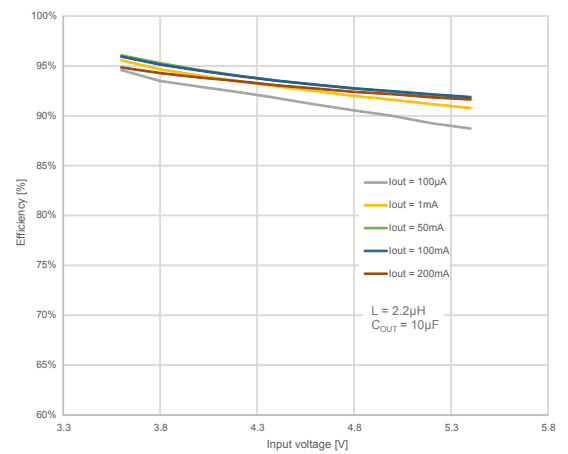


Figure 7. Efficiency vs  $V_{IN}$ ,  $V_{OUT} = 3.3\text{ V}$



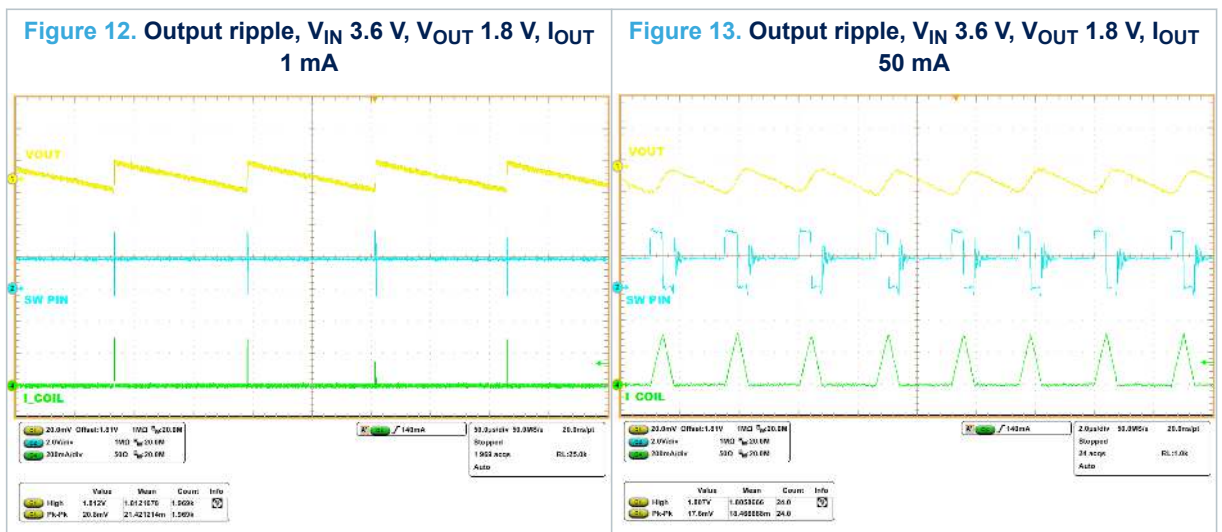
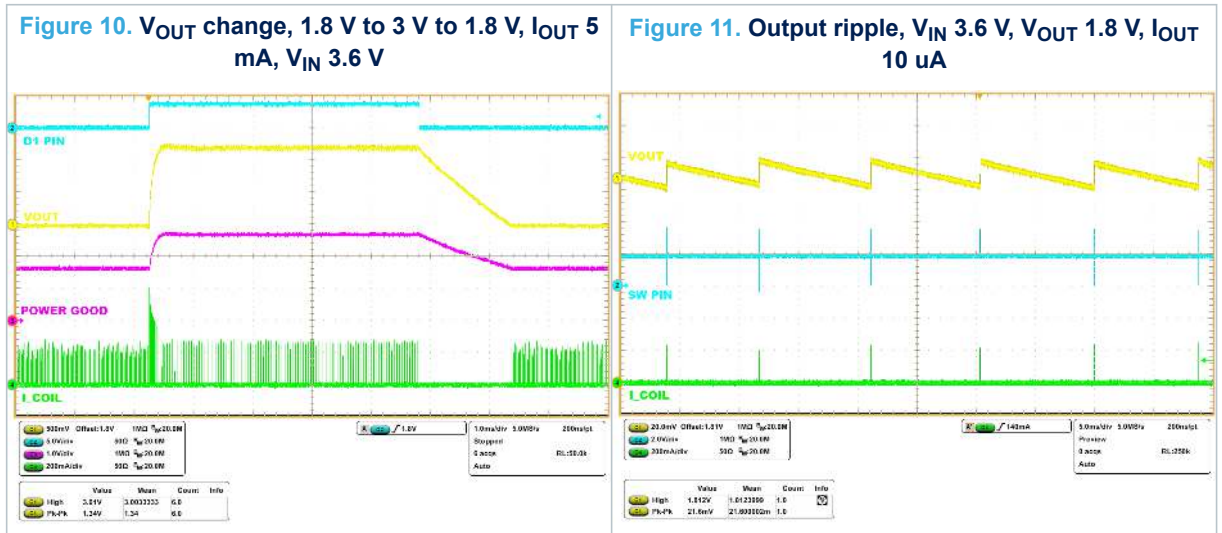
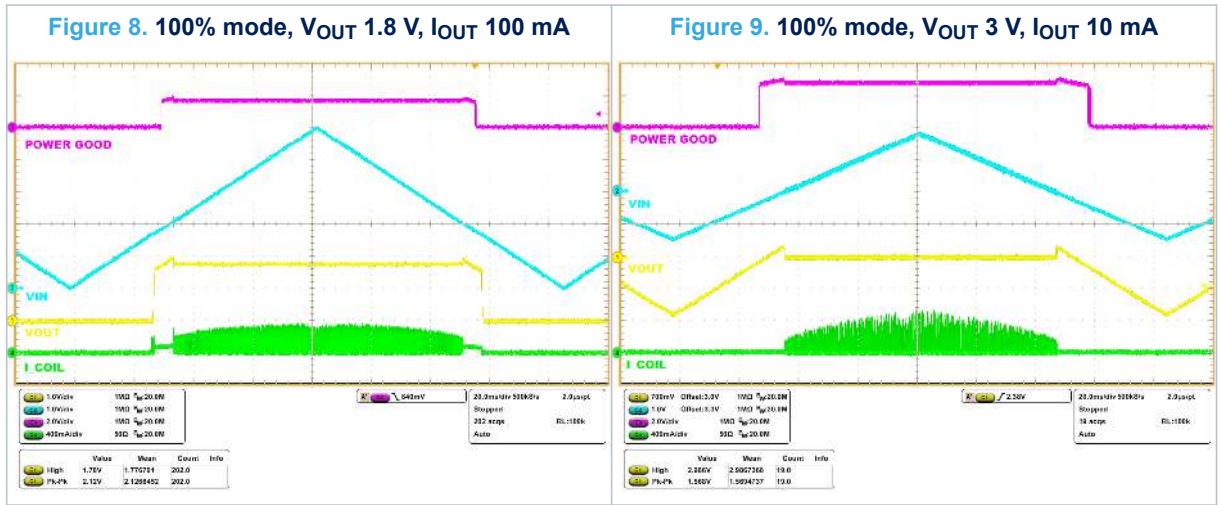


Figure 14. Output ripple,  $V_{IN}$  3.6 V,  $V_{OUT}$  1.8 V,  $I_{OUT}$  150 mA

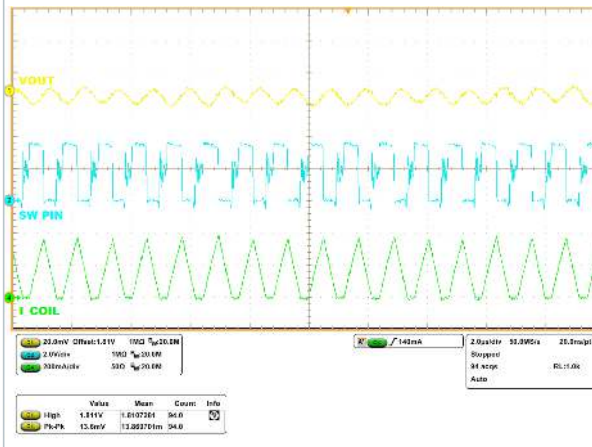


Figure 15. Output ripple,  $V_{IN}$  3.6 V,  $V_{OUT}$  1.8 V,  $I_{OUT}$  250 mA

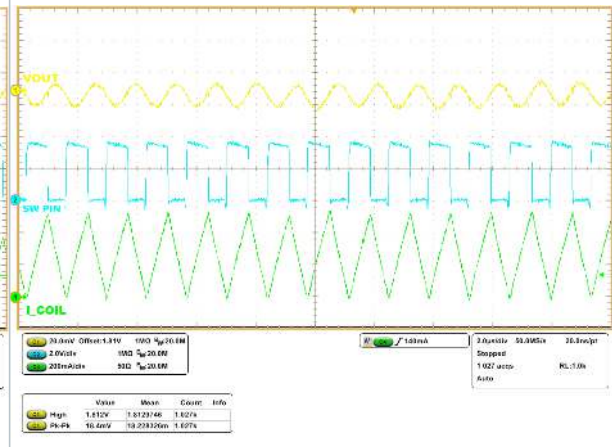


Figure 16. Start-up  $V_{IN}$  3.6 V,  $V_{OUT}$  1.8 V, no load

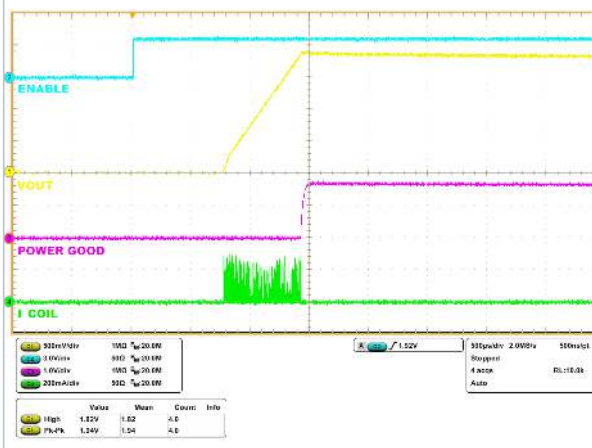


Figure 17. Disable,  $V_{IN}$  3.6 V,  $V_{OUT}$  1.8 V, no load

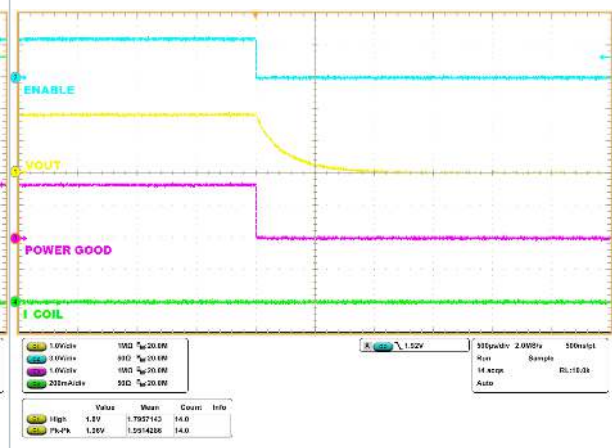


Figure 18. Start-up,  $V_{IN}$  3.6 V,  $V_{OUT}$  1.8 V,  $I_{OUT}$  100 mA

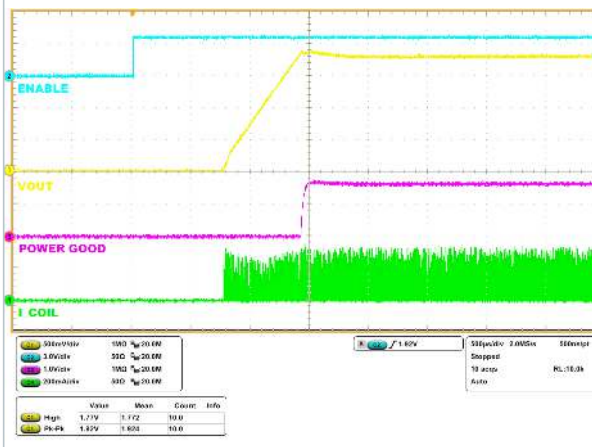
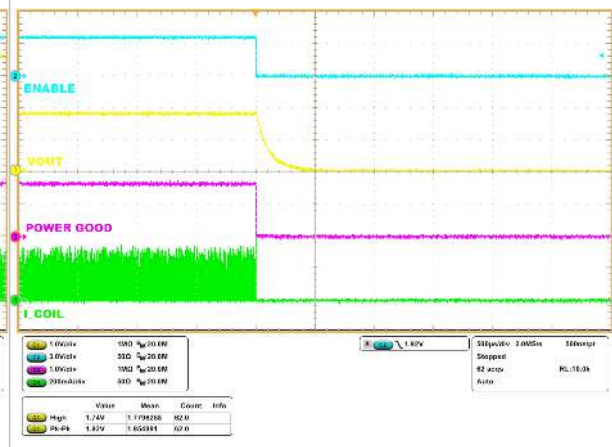
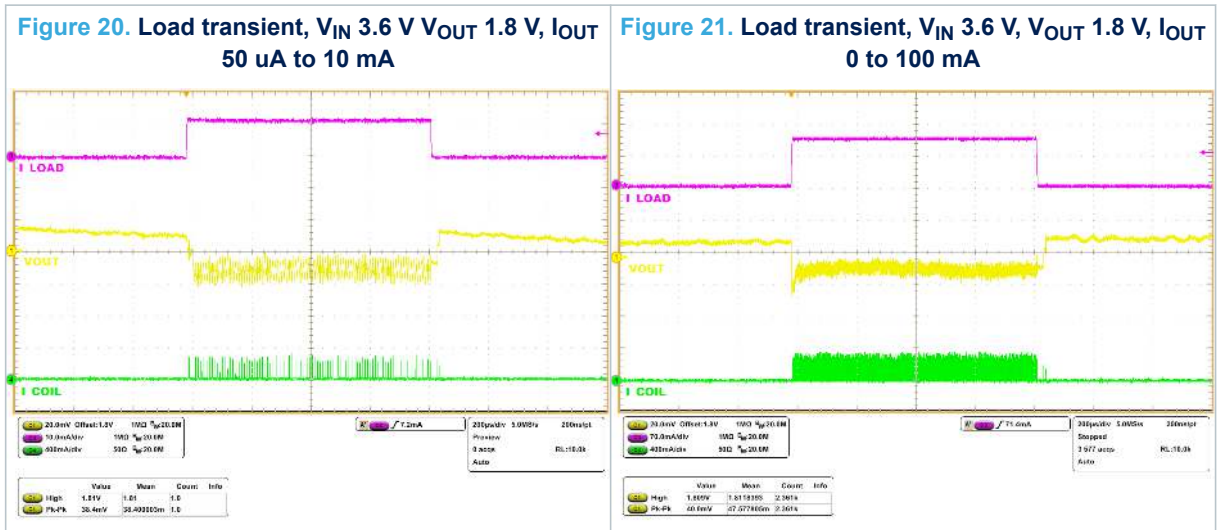
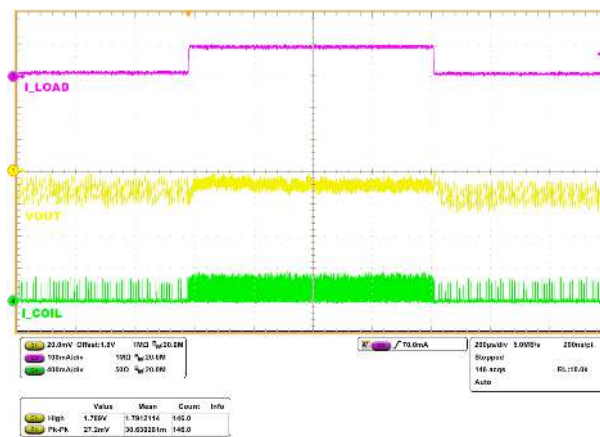


Figure 19. Disable,  $V_{IN}$  3.6 V,  $V_{OUT}$  1.8 V,  $I_{OUT}$  100 mA





**Figure 22. Load transient,  $V_{IN}$  3.6 V,  $V_{OUT}$  1.8 V,  $I_{OUT}$  10 mA to 100 mA**

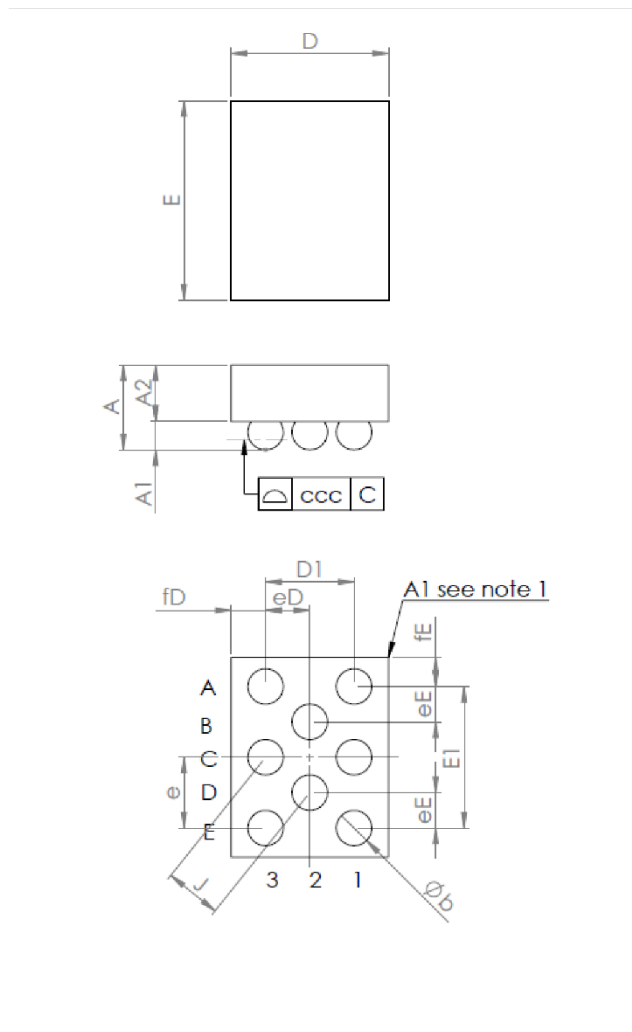


## 9 Package information

In order to meet environmental requirements, ST offers these devices in different grades of **ECOPACK** packages, depending on their level of environmental compliance. ECOPACK specifications, grade definitions and product status are available at: [www.st.com](http://www.st.com). ECOPACK is an ST trademark.

### 9.1 Flip-Chip 8 (1.14x1.44 mm) package information

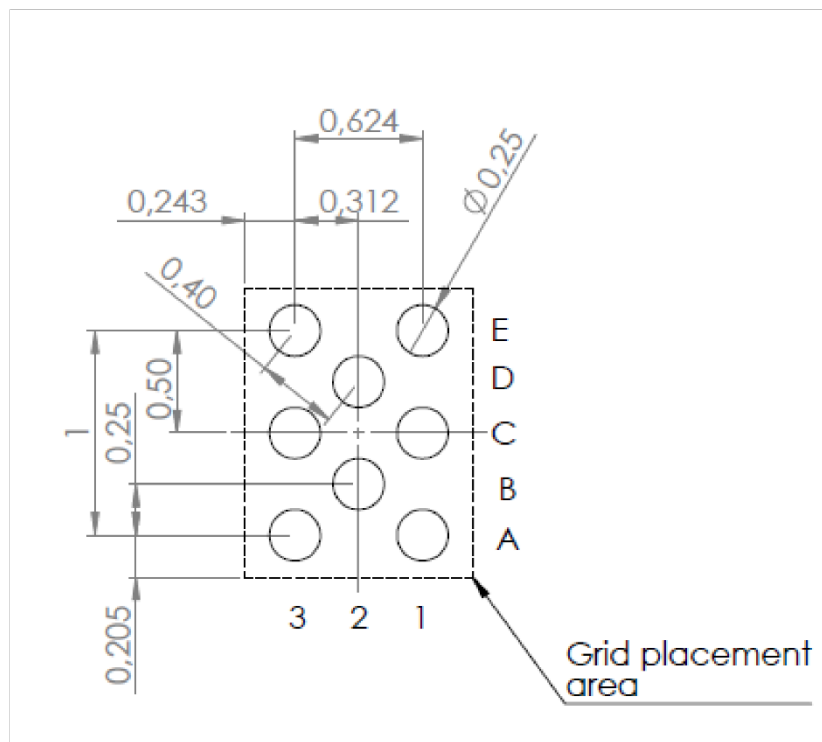
Figure 23. Flip-Chip 8 (1.14x1.44 mm) package outline





**Table 8. Flip-Chip 8 (1.14x1.44 mm) mechanical data**

Symbol	Milimeters		
	Min.	Typ.	Max.
A	0.500	0.550	0.600
A1	0.170	0.200	0.230
A2	0.330	0.350	0.370
b	0.230	0.250	0.270
D	1.08	1.11	1.14
D1		0.624	
E	1.38	1.41	1.44
E1		1.00	
fE		0.205	
fD		0.243	
eE		0.250	
eD		0.312	
e		0.50	
J		0.40	
ccc		0.05	

**Figure 24. Flip-Chip 8 (1.14x1.44 mm) recommended footprint**


## 9.2 Flip-Chip 8 (1.14x1.44 mm) packing information

Figure 25. Flip-Chip 8 (1.14x1.44 mm) tape outline

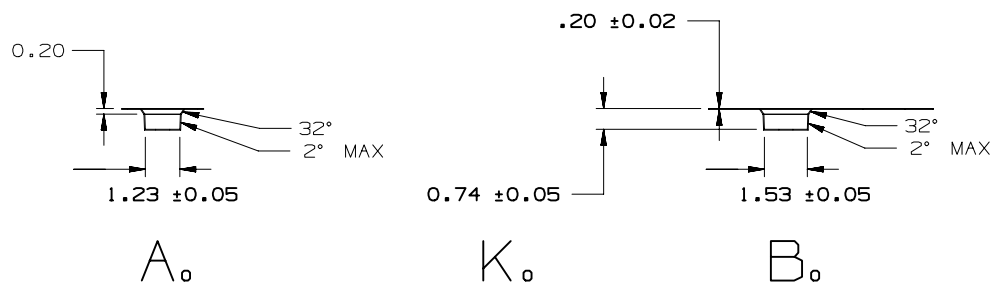
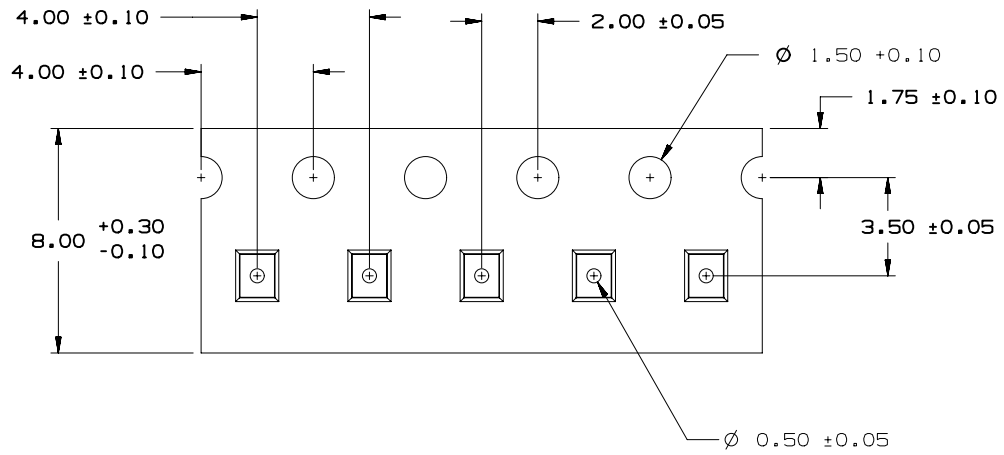


Figure 26. Flip-Chip 8 (1.14x1.44 mm) tape orientation

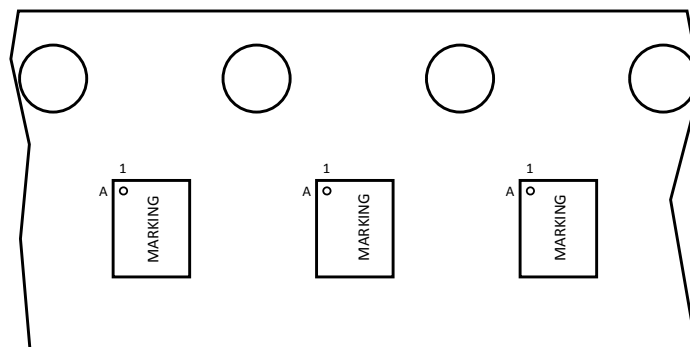




Figure 27. Flip-Chip 8 (1.14x1.44 mm) reel outline

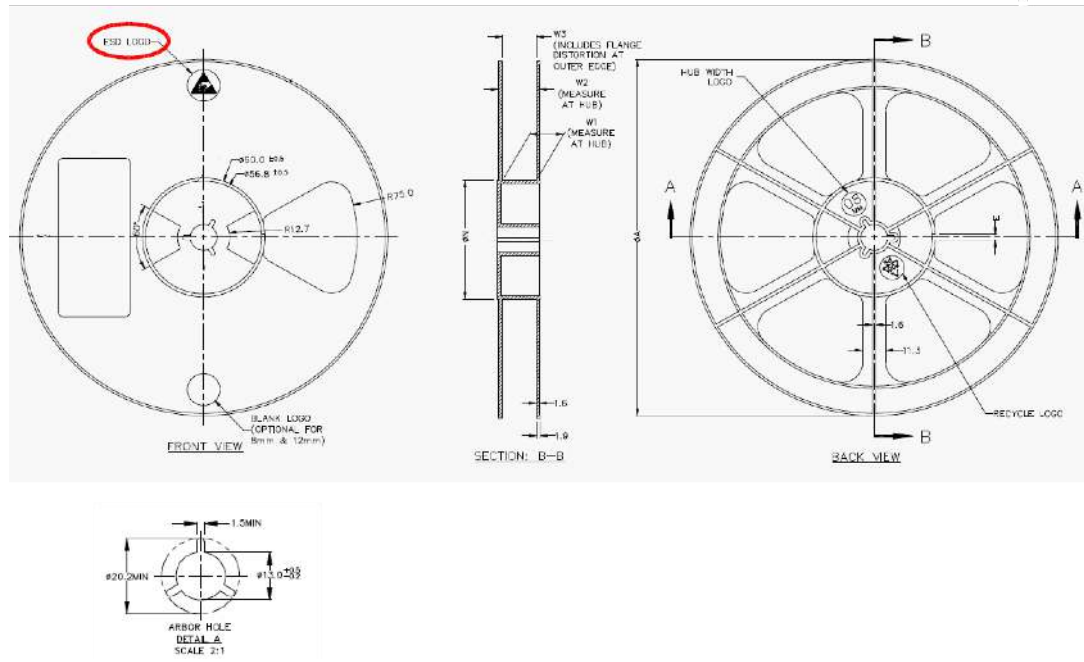


Table 9. Reel mechanical data

A max.	N min.	W1 max. [mm]	W2 max. [mm]	W3 min./max. [mm]
180	60	8.4	14.4	7.9/10.9

## Revision history

**Table 10. Document revision history**

Date	Version	Changes
31-Oct-2018	1	Initial release.
13-Dec-2018	2	Updated Section 8 Typical performance characteristics. Added Section 9.2 Flip-Chip 8 (1.14x1.44 mm) packing information.
13-Dec-2019	3	Updated Figure 22. Load transient, $V_{IN}$ 3.6 V, $V_{OUT}$ 1.8 V, $I_{OUT}$ 10 mA to 100 mA.
22-Jul-2020	4	Updated the cover page, Section 5 Electrical characteristics, Section 8 Typical performance characteristics. Minor text changes.
22-Sep-2020	5	Updated Section Features.
28-Jun-2021	6	Updated Figure 1. ST1PS01 application schematic. Updated Section 3 Functional pin description, Section 7.4 Soft-start and current limitation and Table 6. Electrical characteristics. Updated Table 7. Output voltage settings.

## Contents

<b>1</b>	<b>Application schematic</b> .....	<b>2</b>
<b>2</b>	<b>Pin configuration</b> .....	<b>3</b>
<b>3</b>	<b>Functional pin description</b> .....	<b>4</b>
<b>4</b>	<b>Maximum ratings</b> .....	<b>5</b>
<b>5</b>	<b>Electrical characteristics</b> .....	<b>6</b>
<b>6</b>	<b>Block diagram</b> .....	<b>8</b>
<b>7</b>	<b>Operation description</b> .....	<b>9</b>
7.1	Power save mode .....	9
7.2	Output voltage .....	9
7.3	Output discharge and UVLO .....	9
7.4	Soft-start and current limitation .....	9
7.5	100% duty cycle operation .....	9
7.6	Power Good flag .....	9
<b>8</b>	<b>Typical performance characteristics</b> .....	<b>10</b>
<b>9</b>	<b>Package information</b> .....	<b>14</b>
9.1	Flip-Chip8 (1.14x1.44 mm) package information .....	14
9.2	Flip-Chip 8 (1.14x1.44 mm) packing information .....	16
	<b>Revision history</b> .....	<b>18</b>

**IMPORTANT NOTICE – PLEASE READ CAREFULLY**

STMicroelectronics NV and its subsidiaries (“ST”) reserve the right to make changes, corrections, enhancements, modifications, and improvements to ST products and/or to this document at any time without notice. Purchasers should obtain the latest relevant information on ST products before placing orders. ST products are sold pursuant to ST’s terms and conditions of sale in place at the time of order acknowledgement.

Purchasers are solely responsible for the choice, selection, and use of ST products and ST assumes no liability for application assistance or the design of Purchasers’ products.

No license, express or implied, to any intellectual property right is granted by ST herein.

Resale of ST products with provisions different from the information set forth herein shall void any warranty granted by ST for such product.

ST and the ST logo are trademarks of ST. For additional information about ST trademarks, please refer to [www.st.com/trademarks](http://www.st.com/trademarks). All other product or service names are the property of their respective owners.

Information in this document supersedes and replaces information previously supplied in any prior versions of this document.

© 2021 STMicroelectronics – All rights reserved