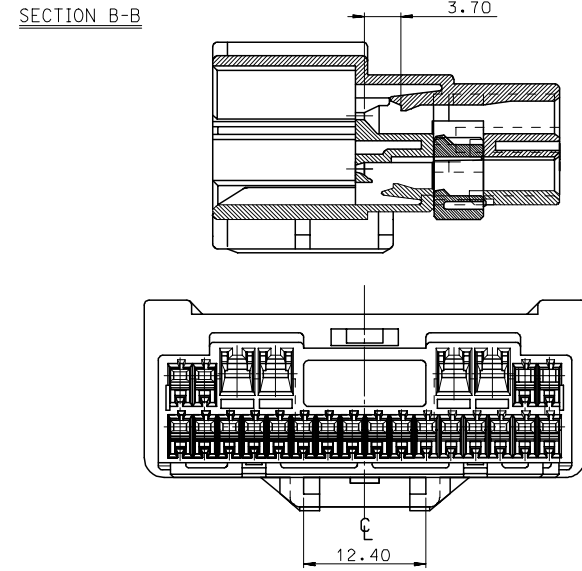
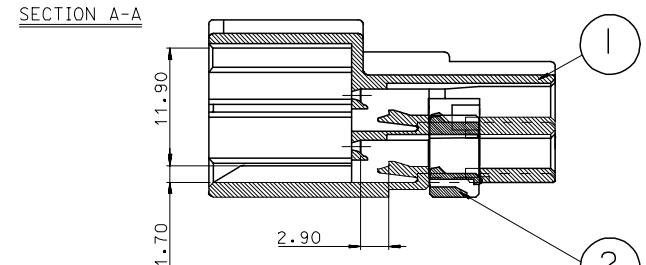
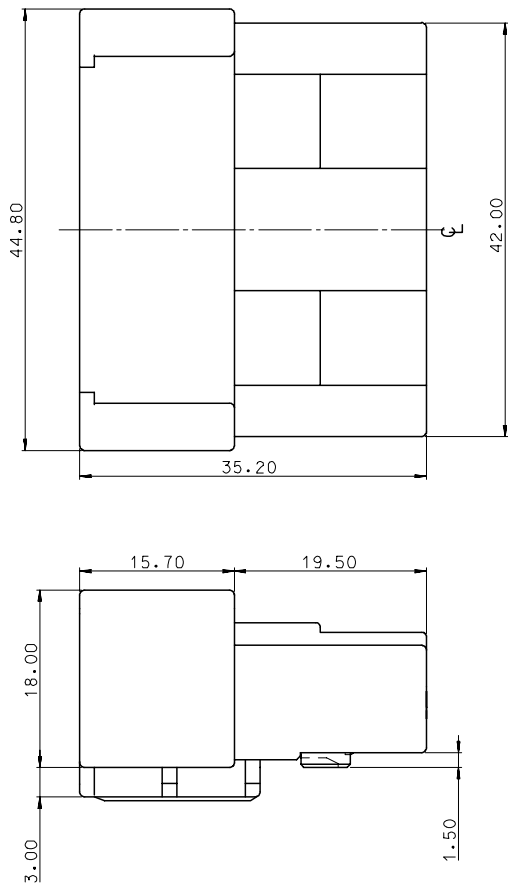
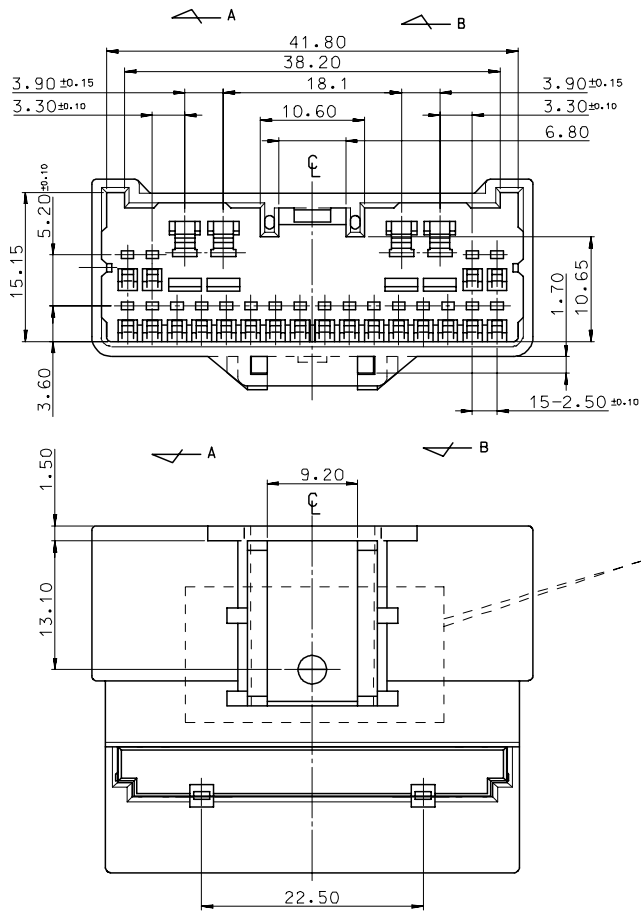


NO.	PART NO.	PART NAME	MATERIAL	REMARK
I-1	35897-2490	.040/090 M/HSG 24P	POLYESTER	WHITE
I-2	35897-2491	.040/090 M/HSG 24P	POLYESTER	BLACK
I-3	35897-2495	.040/090 M/HSG 24P	POLYESTER	GRAY
2	35897-2483	.040/090 MALE TPA 24P	POLYESTER	YELLOW



NOTE
 1. MATERIAL & FINISH: SEE TABLE
 2. APPLICATION: .040/090 FEMALE HOUSING ASS'Y 24P(ENG. NO.:35896-2410)

3	358972415	35897-2415
2	358972411	35897-2411
1	358972410	35897-2410
NO.	MATERIAL NO.	ENG. NO.

REVISED EC NO: KOR2007-0048 DRW: ECKIM 2007/03/07 CHK: B.C. YOON 2007/03/07 APPR: YUNSIKKIM 2007/03/23	QUALITY SYMBOLS	GENERAL TOLERANCES (UNLESS SPECIFIED)	DIMENSION STYLE	SCALE	DESIGN UNITS	THIRD ANGLE PROJECTION																					
	$\nabla=0$ $\sphericalangle=0$	<table border="1"> <thead> <tr> <th></th> <th>mm</th> <th>INCH</th> </tr> </thead> <tbody> <tr> <td>4 PLACES</td> <td>± ---</td> <td>± ---</td> </tr> <tr> <td>3 PLACES</td> <td>± ---</td> <td>± ---</td> </tr> <tr> <td>2 PLACES</td> <td>± 0.2</td> <td>± ---</td> </tr> <tr> <td>1 PLACE</td> <td>± 0.3</td> <td>± ---</td> </tr> <tr> <td colspan="3">ANGULAR ± 1 °</td> </tr> </tbody> </table>		mm	INCH		4 PLACES	± ---	± ---	3 PLACES	± ---	± ---	2 PLACES	± 0.2	± ---	1 PLACE	± 0.3	± ---	ANGULAR ± 1 °			MM ONLY	2:1	METRIC			
		mm	INCH																								
	4 PLACES	± ---	± ---																								
3 PLACES	± ---	± ---																									
2 PLACES	± 0.2	± ---																									
1 PLACE	± 0.3	± ---																									
ANGULAR ± 1 °																											
DESCRIPTION	<table border="1"> <thead> <tr> <th>DRAWN BY</th> <th>DATE</th> <th>TITLE</th> </tr> </thead> <tbody> <tr> <td>HC.RHO</td> <td>00/06/08</td> <td rowspan="2">.040/090 MALE HSG ASS'Y 24P</td> </tr> <tr> <td>CHKED BY</td> <td>DATE</td> </tr> <tr> <td>BK.CHOI</td> <td>00/06/08</td> <td></td> </tr> <tr> <td>APPROVED BY</td> <th>DATE</th> <td></td> </tr> <tr> <td>CW.LEE</td> <td>00/06/08</td> <td></td> </tr> </tbody> </table>	DRAWN BY	DATE	TITLE	HC.RHO	00/06/08	.040/090 MALE HSG ASS'Y 24P	CHKED BY	DATE	BK.CHOI	00/06/08		APPROVED BY	DATE		CW.LEE	00/06/08		<table border="1"> <thead> <tr> <th>SIZE</th> <th>MATERIAL NO.</th> <th>DOCUMENT NO.</th> <th>SHEET NO.</th> </tr> </thead> <tbody> <tr> <td>A3</td> <td>SEE TABLE</td> <td>SD-35897-002</td> <td>1 OF 01</td> </tr> </tbody> </table>	SIZE	MATERIAL NO.	DOCUMENT NO.	SHEET NO.	A3	SEE TABLE	SD-35897-002	1 OF 01
DRAWN BY	DATE	TITLE																									
HC.RHO	00/06/08	.040/090 MALE HSG ASS'Y 24P																									
CHKED BY	DATE																										
BK.CHOI	00/06/08																										
APPROVED BY	DATE																										
CW.LEE	00/06/08																										
SIZE	MATERIAL NO.	DOCUMENT NO.	SHEET NO.																								
A3	SEE TABLE	SD-35897-002	1 OF 01																								
D	DRAFT WHERE APPLICABLE MUST REMAIN WITHIN DIMENSIONS	MOLEX INCORPORATED																									